

PRODUCT INFORMATION PACKET



Model No: 110013.00

Catalog No: 110013.00

General Purpose Motor, 0.75 HP, 1 Ph, 60 Hz, 115/230 V, 1800 RPM, 56 Frame, TEFC

Operational at 115/208-230 V @60HZ



Regal and Leeson are trademarks of Regal Rexnord Corporation or one of its affiliated companies.

©2023 Regal Rexnord Corporation, All Rights Reserved. MC017097E



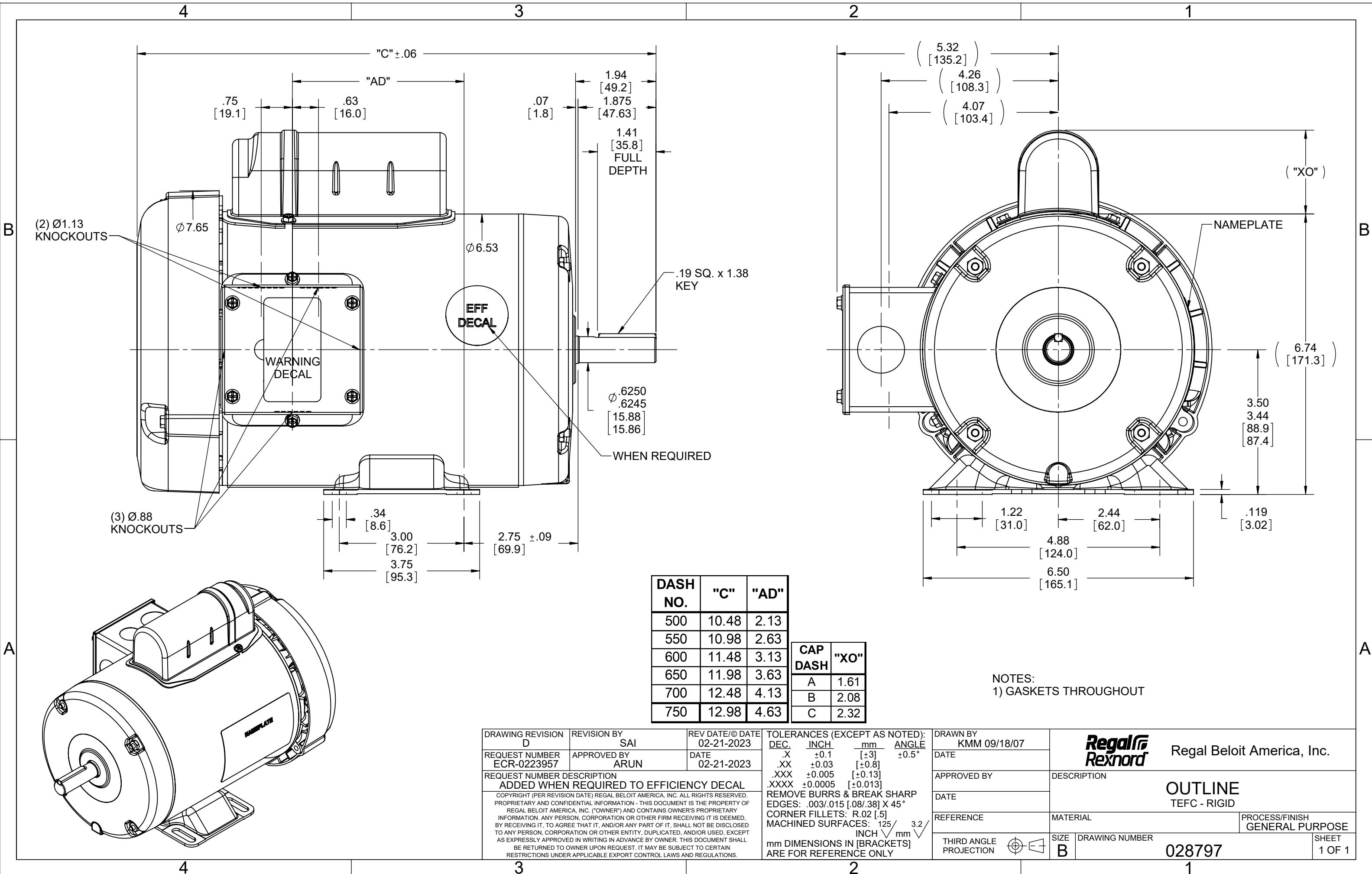


Nameplate Specifications

| | | | |
|------------------------|---------------|----------------------------|-----------------------------|
| Phase | 1 | Output HP | 0.75 Hp |
| Output KW | 0.56 kW | Voltage | 115/230 V |
| Speed | 1725 rpm | Service Factor | 1.15 |
| Frame | 56 | Enclosure | Totally Enclosed Fan Cooled |
| Thermal Protection | No Protection | Efficiency | 70 % |
| Ambient Temperature | 40 °C | Frequency | 60 Hz |
| Current | 10.8/5.4 A | Power Factor | 64 |
| Duty | Continuous | Insulation Class | B |
| Design Code | N | KVA Code | L |
| Drive End Bearing Size | 6203 | Opp Drive End Bearing Size | 6203 |
| UL | Recognized | CSA | Y |
| CE | N | IP Code | 54 |
| Number of Speeds | 1 | | |

Technical Specifications

| | | | |
|-----------------------|-------------------------------|-----------------------|----------------------------|
| Electrical Type | Capacitor Start Induction Run | Starting Method | Across The Line |
| Poles | 4 | Rotation | Selective Counterclockwise |
| Resistance Main | 2.6 Ohms | Mounting | Rigid Base |
| Motor Orientation | Horizontal | Drive End Bearing | Ball |
| Opp Drive End Bearing | Ball | Frame Material | Rolled Steel |
| Shaft Type | NEMA 56 | Overall Length | 11.48 in |
| Frame Length | 6.00 in | Shaft Diameter | 0.625 in |
| Shaft Extension | 1.88 in | Assembly/Box Mounting | F1 ONLY |
| Outline Drawing | 028797-600B | Connection Drawing | 005005.01 |



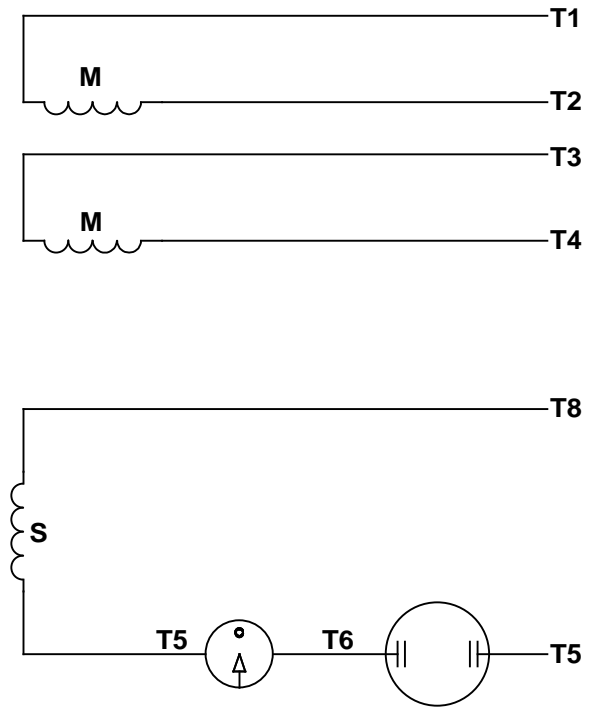
NOTES:
1) GASKETS THROUGHOUT

| | | | | | |
|---|---------------------|-------------------------------|--|--------------------------|-----------------------------------|
| DRAWING REVISION D | REVISION BY SAI | REV DATE/© DATE 02-21-2023 | TOLERANCES (EXCEPT AS NOTED): DEC. INCH mm ANGLE .X ±0.1 [±3] ±0.5° .XX ±0.03 [±0.8] .XXX ±0.005 [±0.13] .XXXX ±0.0005 [±0.013] REMOVE BURRS & BREAK SHARP EDGES: .003/.015 [0.08/.38] X 45° CORNER FILLETS: R.02 [5] MACHINED SURFACES: 125 INCH 3.2 mm DIMENSIONS IN [BRACKETS] ARE FOR REFERENCE ONLY | DRAWN BY KMM 09/18/07 | Regal Beloit America, Inc. |
| REQUEST NUMBER ECR-0223957 | APPROVED BY ARUN | DATE 02-21-2023 | | DATE | |
| REQUEST NUMBER DESCRIPTION ADDED WHEN REQUIRED TO EFFICIENCY DECAL COPYRIGHT (PER REVISION DATE) REGAL BELOIT AMERICA, INC. ALL RIGHTS RESERVED. PROPRIETARY AND CONFIDENTIAL INFORMATION - THIS DOCUMENT IS THE PROPERTY OF REGAL BELOIT AMERICA, INC. ("OWNER") AND CONTAINS OWNER'S PROPRIETARY INFORMATION. ANY PERSON, CORPORATION OR OTHER FIRM RECEIVING IT IS DEEMED, BY RECEIVING IT, TO AGREE THAT IT, AND/OR ANY PART OF IT, SHALL NOT BE DISCLOSED TO ANY PERSON, CORPORATION OR OTHER ENTITY, DUPLICATED, AND/OR USED, EXCEPT AS EXPRESSLY APPROVED IN WRITING IN ADVANCE BY OWNER. THIS DOCUMENT SHALL BE RETURNED TO OWNER UPON REQUEST. IT MAY BE SUBJECT TO CERTAIN RESTRICTIONS UNDER APPLICABLE EXPORT CONTROL LAWS AND REGULATIONS. | | | | APPROVED BY | DESCRIPTION |
| | | | | DATE | OUTLINE TEFC - RIGID |
| | | | | REFERENCE | MATERIAL |
| | | | | THIRD ANGLE PROJECTION | PROCESS/FINISH GENERAL PURPOSE |
| | | | | SIZE B | DRAWING NUMBER 028797 |
| | | | | | SHEET 1 OF 1 |

VIEW FROM OUTSIDE OF MOTOR AT SWITCH END.



LINE LEADS



RBC PROPRIETARY AND CONFIDENTIAL INFORMATION
 This document is the property of REGAL BELOIT CORPORATION ("RBC") including its subsidiaries and divisions and contains proprietary information of RBC. This document is loaned on the express condition that neither it nor the information contained therein shall be disclosed to others without the express written consent of RBC, and that the information shall be used by the recipient only as approved expressly by RBC. This document shall be returned to RBC upon its request. This document may be subject to certain restrictions under U.S. export control laws and regulations.

| | ROTATION FACING LEAD END | L1 | L2 | JOIN |
|-----------|--------------------------|------------|------------|------------|
| HIGH VOLT | C.C.W. | T1 | T4, T5 | T2, T3, T8 |
| | C.W. | T1 | T4, T8 | T2, T3, T5 |
| LOW VOLT | C.C.W. | T1, T3, T8 | T2, T4, T5 | ----- |
| | C.W. | T1, T3, T5 | T2, T4, T8 | ----- |

| | | | | | | | |
|------------------------|---|--------------|-----------------------------|--------------|--|---------------------------------------|----------------------|
| -- | REDRAWN IN SOLIDWORKS | VJB 02/16/11 | TOLERANCES UNLESS SPECIFIED | | LEESON | ELECTRIC MOTORS GEARMOTORS AND DRIVES | DRAWN ADH 08/06/73 |
| 27 | UPDATED TO CURRENT STANDARDS | DBT 05/27/97 | DEC | INCHES | | | CHK |
| 26 | ADDED PAGE 32 (114787) & PAGE 33 (114788) | KAZ 12/20/95 | PG | .X ±.1 | TITLE EXTERNAL WIRING DIAGRAM TYPE "C" W/O PROTECTOR | | APPR JCW 03/09/79 |
| 25 | ADDED PAGE 31 | KAZ 04/19/95 | DL | .XX ±.01 | MAT'L DECAL - 004012 | | SCALE 1:1 |
| 24 | ADDED PAGES 29 & 30 | KMM 03/30/95 | DL | .XXX ±.005 | FINISH | | REF FIG 2-23 C4A |
| 23 | ADDED PAGE 28 | KMM 01/27/95 | | .XXXX ±.0005 | RFP | | FMF MGI-2.4B |
| NO | REVISION | BY & DATE | CHK | ANG ±1/2° | PREV | | PAGE OF |
| THIRD ANGLE PROJECTION | | | RFP | | SIZE A | | DRAWING NO 005005-01 |
| | | | NETWORK FILE NAME 00500501 | | REV -- | | |



CERTIFICATION DATA SHEET

1051 CHEYENNE AVE.
GRAFTON, WI 53024
PH. 262-377-8810

CONN. DIAGRAM: 005005.01

CATALOG #: 110013.00

OUTLINE: 028797-600B

MOUNTING: F1 ONLY

WINDING #: C634258 FR 3 A

TYPICAL MOTOR PERFORMANCE DATA

| HP | kW | SYNC. RPM | F.L. RPM | FRAME | ENCLOSURE | KVA CODE | DESIGN |
|-----|------|-----------|----------|-------|-----------|----------|--------|
| 3/4 | 0.56 | 1800 | 1725 | 56 | TEFC | L | N |

| PH | Hz | VOLTS | AMPS | START TYPE | DUTY | INSL | S.F. | AMB°C |
|----|----|-------------|----------|-----------------|------------|------|------|-------|
| 1 | 60 | 115/208-230 | 10.8/5.4 | ACROSS THE LINE | CONTINUOUS | B4 | 1.15 | 40 |

| FULL LOAD EFF: | 70 | 3/4 LOAD EFF: | 67.8 | 1/2 LOAD EFF: | 61.3 | GTD. EFF | | ELEC. TYPE | |
|----------------|----|---------------|------|---------------|------|----------|--|-------------------|--|
| FULL LOAD PF: | 64 | 3/4 LOAD PF: | 55.3 | 1/2 LOAD PF: | 44.6 | 66 | | CAP START IND RUN | |

| F.L. TORQUE | LOCKED ROTOR AMPS | L.R. TORQUE | B.D. TORQUE | F.L. RISE°C |
|-------------|-------------------|------------------|-----------------|-------------|
| 35.94 OZ-FT | 60.2 / 30.1 | 114.48 OZ-FT 0 % | 98.47 OZ-FT 0 % | 78 |

| SOUND PRESSURE @ 3 FT. | SOUND POWER | ROTOR WK^2 | MAX. WK^2 | SAFE STALL TIME | STARTS / HOUR | APPROX. MOTOR WGT |
|------------------------|-------------|--------------|-----------|-----------------|---------------|-------------------|
| 54 dBA | 64 dBA | 0.08 LB-FT^2 | 0 LB-FT^2 | 10 SEC. | 0 | 32 LBS. |

*** SUPPLEMENTAL INFORMATION ***

| DE BRACKET TYPE | ODE BRACKET TYPE | MOUNT TYPE | ORIENTATION | SEVERE DUTY | HAZARDOUS LOCATION | DRIP COVER | SCREENS | PAINT |
|-----------------|------------------|------------|-------------|-------------|--------------------|------------|---------|------------------------|
| STANDARD | STANDARD | RIGID | HORIZONTAL | FALSE | NONE | FALSE | NONE | BLUE - LEESON (ENAMEL) |

| BEARINGS | | GREASE | SHAFT TYPE | SPECIAL DE | SPECIAL ODE | SHAFT MATERIAL | FRAME MATERIAL |
|----------|------|------------|-------------|------------|-------------|--------------------------|----------------|
| DE | ODE | | | | | | |
| BALL | BALL | POLYREX EM | STANDARD 56 | NONE | NONE | 1144 STRESSPROOF (C-223) | ROLLED STEEL |
| 6203 | 6203 | | | | | | |

| THERMO-PROTECTORS | | | | THERMISTORS | CONTROL | SPACE HEATERS |
|-------------------|------------|----------|----------|-------------|---------|---------------|
| THERMOSTATS | PROTECTORS | WDG RTDs | BRG RTDs | | | |
| NONE | NOT | NONE | NONE | NONE | FALSE | NONE VOLTS |

*
N
O
T
E
S

| |
|--|
| INVERTER TORQUE: NONE |
| INV. HP SPEED RANGE: NONE |
| ENCODER: NONE NONE NONE NONE NONE PPR |
| BRAKE: NONE NONE NONE P/N NONE NONE NONE NONE FT-LB NONE V NONE Hz |

LEESON ELECTRIC CORPORATION

TYPICAL PERFORMANCE CURVE for AC MOTOR

PHASE 1

HP 0.75

Volts 230

HZ 60

HP 0.75

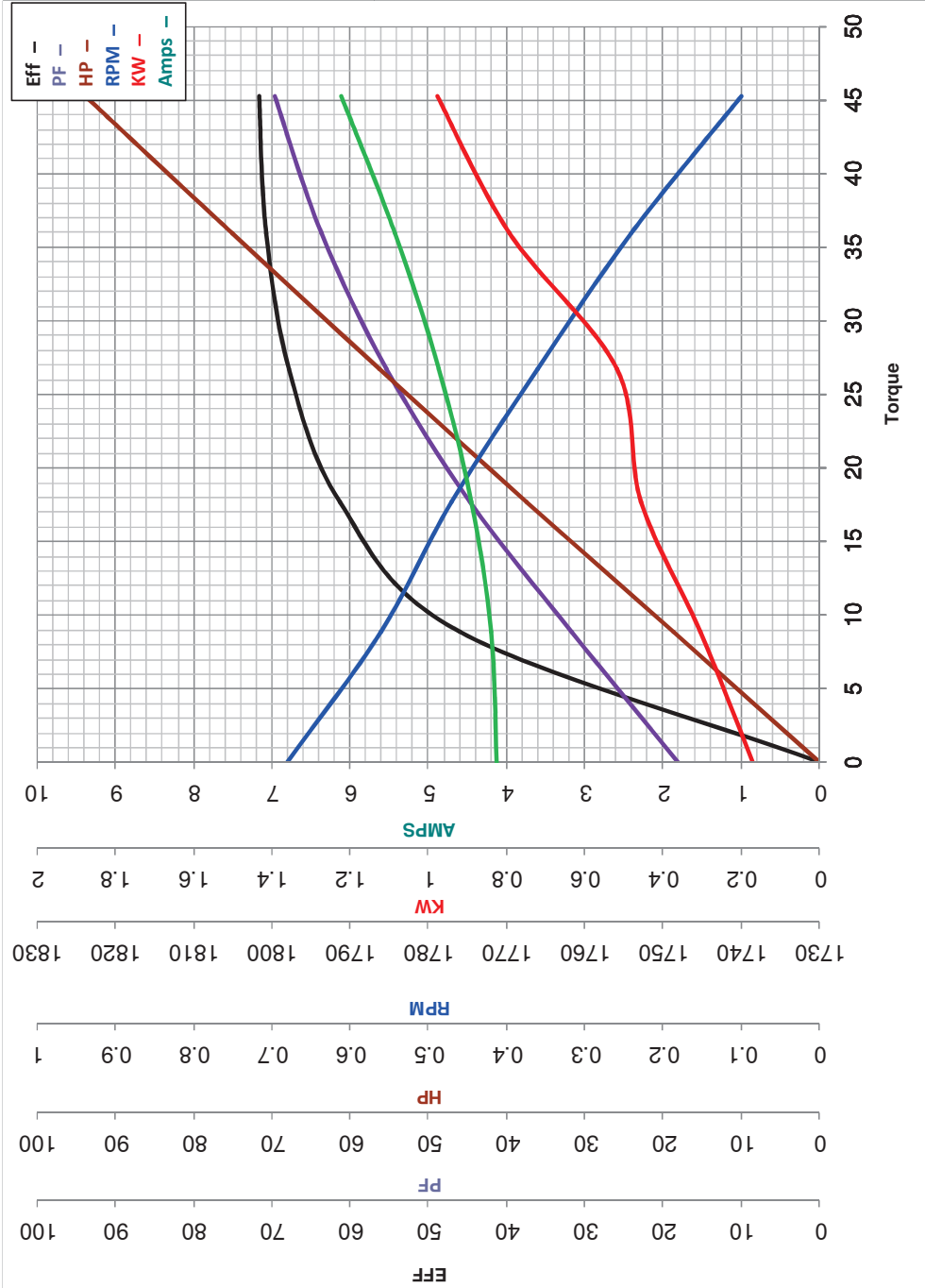
VOLTS 115/208-230

RPM 1725



Model No 110013.00

Catalog No 110013.00



Torque in Oz.Ft

| | | |
|-----------|-------|-------|
| FL TORQUE | 35.94 | Oz.Ft |
| BD TORQUE | 98.5 | Oz.Ft |
| LR TORQUE | 114.5 | Oz.Ft |

| | | |
|-----------|----------|-------|
| FL AMPS | 10.8/5.4 | |
| PU TORQUE | 84.2 | Oz.Ft |
| LR AMPS | 30.1 | |

WINDING C634258-3

Date 4/23/2018