

PRODUCT INFORMATION PACKET

Model No: M1125275.00

Catalog No: M1125275.00

Right Angle Gearmotor, 0.13 HP, 90 V, 42 RPM, 31 Frame, TENV



Regal and are trademarks of Regal Rexnord Corporation or one of its affiliated companies.
©2022 Regal Rexnord Corporation, All Rights Reserved. MC017097E

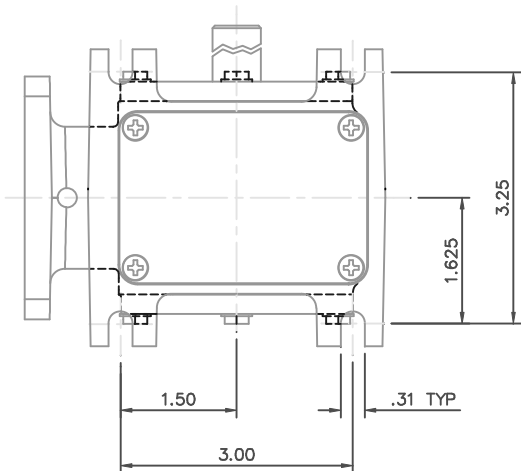
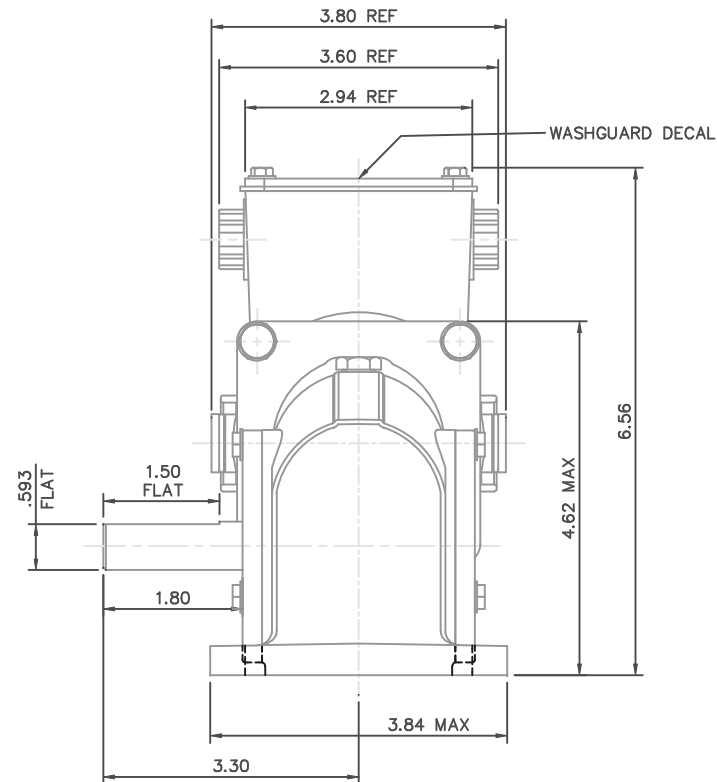
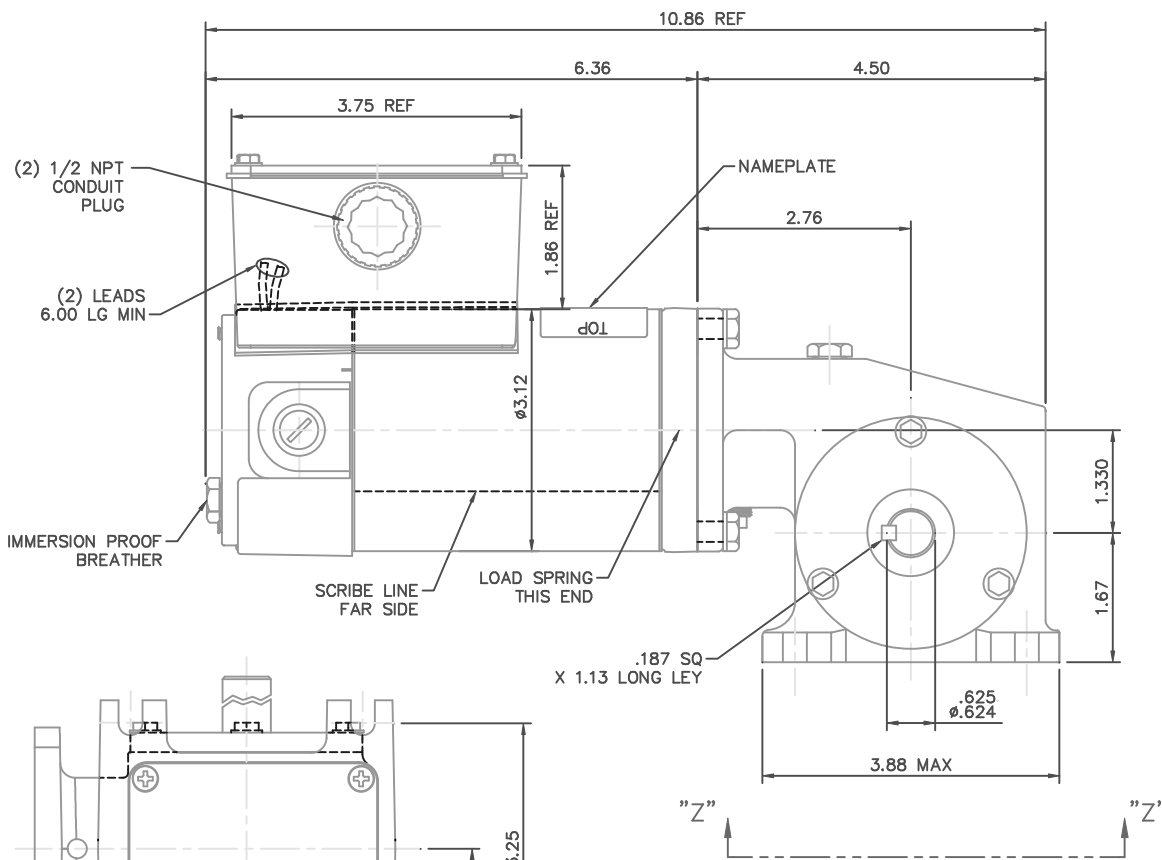
Nameplate Specifications

Output HP	0.13 Hp	Output KW	0.10 kW
Voltage	90 V	Current	2.2 A
Speed	42 rpm	Service Factor	1
Efficiency	19 %	Duty	Continuous
Insulation Class	F	Frame	31
Enclosure	Totally Enclosed Non Ventilated	Thermal Protection	No Protection
Ambient Temperature	40 °C	Drive End Bearing Size	6201
Opp Drive End Bearing Size	6201	UL	Recognized
CSA	Y	CE	Y

Technical Specifications

Rotation	Reversible	Mounting	Special
Shaft Type	Right Angle	Overall Length	10.86 in
Frame Length	3.94 in	Shaft Diameter	0.625 in
Shaft Extension	1.8 in	Torque	80 LB-IN
Connection Drawing	M100530901	Outline Drawing	M1030982-M1125275

This is an uncontrolled document once printed or downloaded and is subject to change without notice. Date Created:09/19/2022




VIEW "Z-Z"

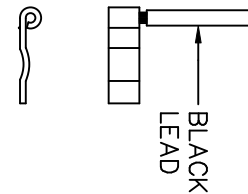
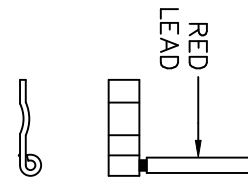
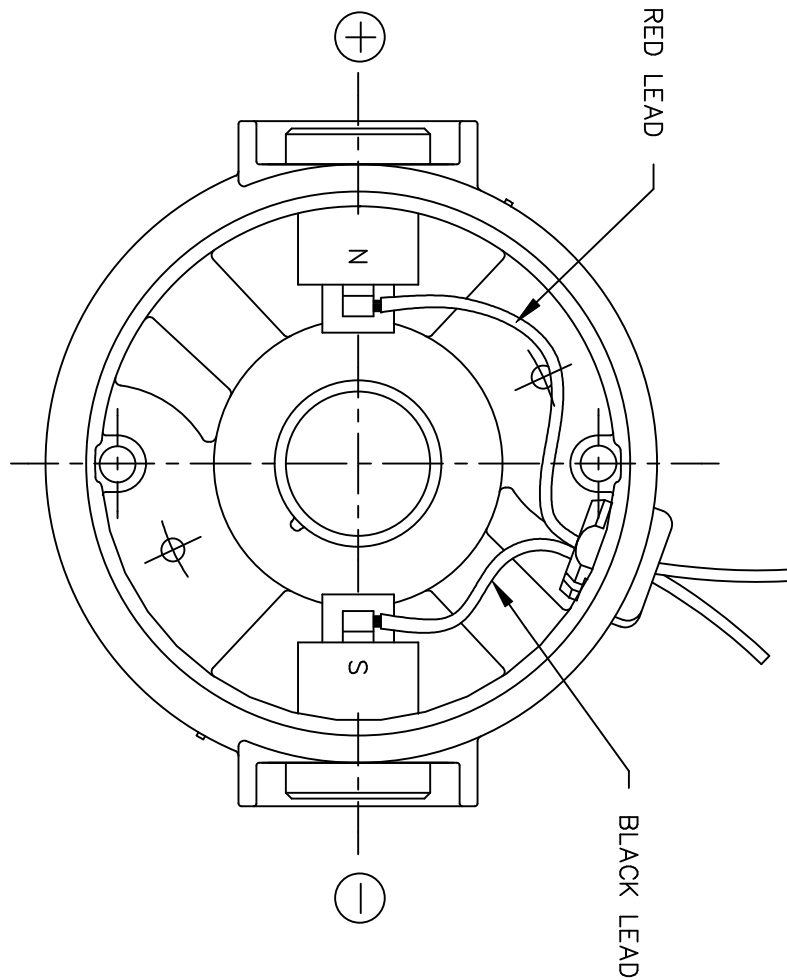
NOTES:

- 1) GASKETS BETWEEN FRAME AND ENDBELLS, CONDUIT BOX AND FRAME, AND CONDUIT BOX COVER AND CONDUIT BOX.


CATALOG NUMBER	SPEED RANGE RPM	FULL LOAD TORQUE LB.-IN.	INPUT HP	OVERHUNG LOAD LBS.	RATIO TO 1
M1125275.00	42-7	80	1/8	235	60
M1125276.00	250-4	25	1/8	235	10

TO DIMENSIONS UNLESS SPECIFIED		DEC. INCHES		 ELECTRIC MOTORS GEARMOTORS AND DRIVES	DRAWN IPG 5/2/05 CHK SAD 5/2/05 APPD
.02	1/2 NPT CONDUIT PLUG QTY. WAS 3. ISAAC 08-3457	RPB	7/30/08		BC .XX ±.03
01	CHANGED TO DIE CAST GEARBOX PER ECN 06-3023.	RPB	7/12/06	BC .XXX ±.005	REF M1030980.00
00	RELEASED: REF. M1030980.00, DIFF. FRAME SIZE	IPG	5/2/05	SAD .XXXX ±.0005	FMF M1125275.00
NO. REVISION		BY & DATE		CHK ANG ±1/2"	PREV
THIS DRAWING IN DESIGN AND DETAIL IS OUR PROPERTY AND MUST NOT BE USED EXCEPT IN CONNECTION WITH OUR WORK ALL RIGHTS OF DESIGN AND INVENTION ARE RESERVED THIS IS AN ELECTRONICALLY GENERATED DOCUMENT - DO NOT SCALE THIS PRINT				RFP	CAD FILE M1030982
				DIST	SIZE B DRAWING NO. M1030982.00 REV. 02

D.C. MOTORS



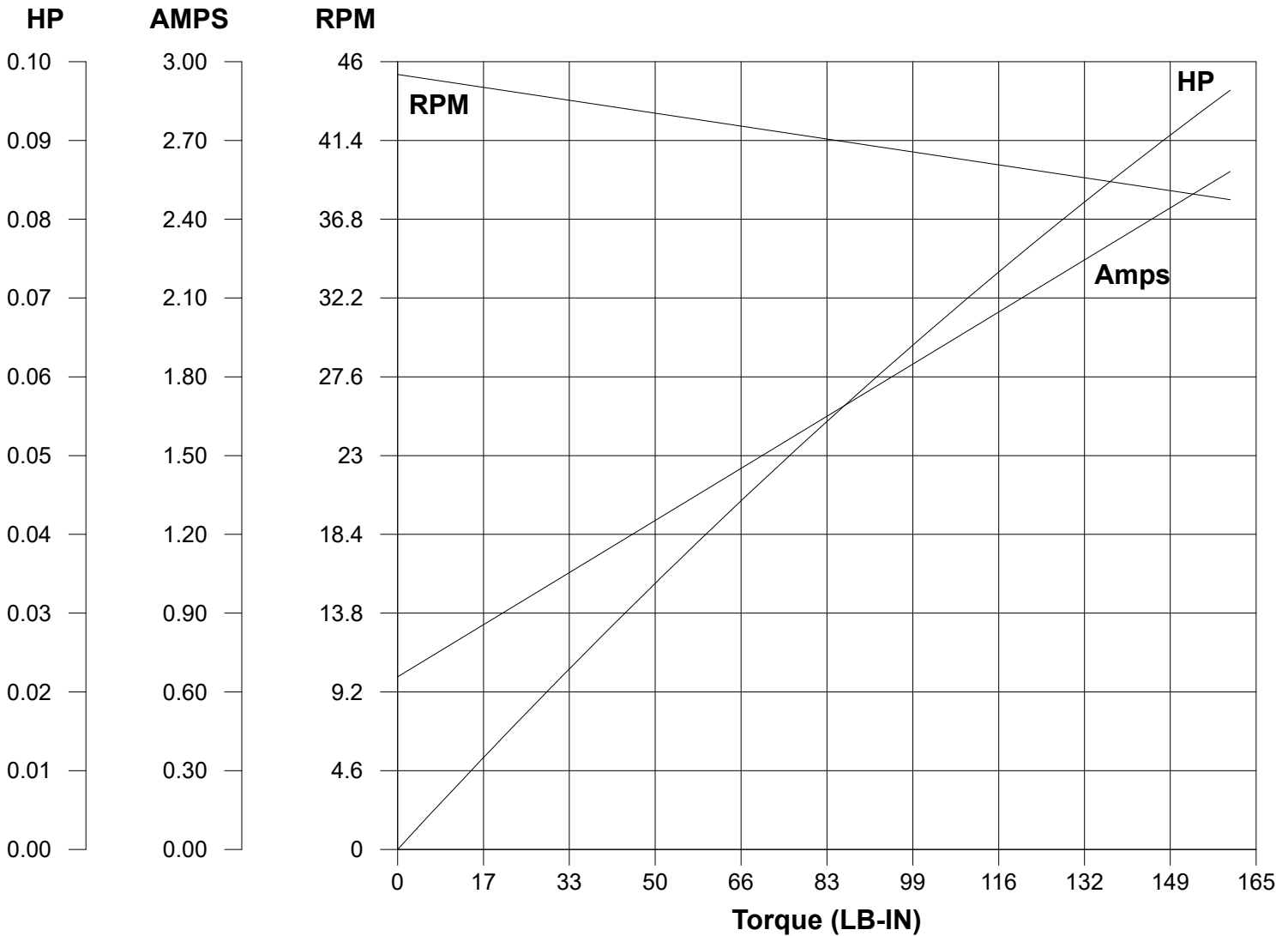
EXTERNAL CONNECTIONS FOR CW ROTATION
 VIEWING LEAD END OF MOTOR WITH RED LEAD
 POSITIVE (+) AND BLACK LEAD NEGATIVE (-)
 FOR CCW ROTATION REVERSE POLARITY

				TOLERANCES UNLESS SPECIFIED		 ELECTRIC MOTORS GEARMOTORS AND DRIVES	DRAWN	IPG 5/2/05		
				DEC.	INCHES		CHK	SAD 5/2/05		
				.X	±.1		APPD			
				.XX	±.01		TITLE	CONNECTION DIAGRAM		
				.XXX	±.005		SCALE	1=1		
00	RELEASED: REF. M1005308.01	IPG	5/2/05	SAD	.XXXX ±.0005	MAT'L.	REF	M1005308.01		
NO.	REVISION	BY & DATE	CHK	ANG	±1/2"	FINISH	FMF	M1125275.00		
				RFP		CAD FILE	M100530901	SIZE	DRAWING NO.	REV.
				DIST			A	M1005309.01	00	

LEESON ELECTRIC CORPORATION

TYPICAL PERFORMANCE CURVE FOR DIRECT CURRENT PERMANENT MAGNET MOTOR

Model No. <u>CM13D25VZ3</u>	Catalog No. <u>M1125275.00</u>	
HP <u>0.125</u>	RPM <u>42</u>	DC Volts <u>90.0</u>
F.F. <u>1.38</u>	Encl <u>IP55</u>	Type <u>DN</u>
Max. Amb. <u>40.0 Deg C</u>	Insul. <u>F</u>	Frame <u>31</u>
		N.P. FLA <u>2.20</u>
		S.F. <u>1.00</u>
		Duty <u>CONT</u>



Ra 5.0800 Ohms
La 23.04 mHenrys
Ja 5.152 OZ-IN²
Ke 32.06 V/KRPM

Kt 2.709 LB-IN/AMP
Imax 19.3 AMPS Allowed
FL Torque 80.00 LB-IN
FL EFF 26.80 %

Winding W- MD312328 **Prepared by** V. Boehlen **Date** 05-03-2019