

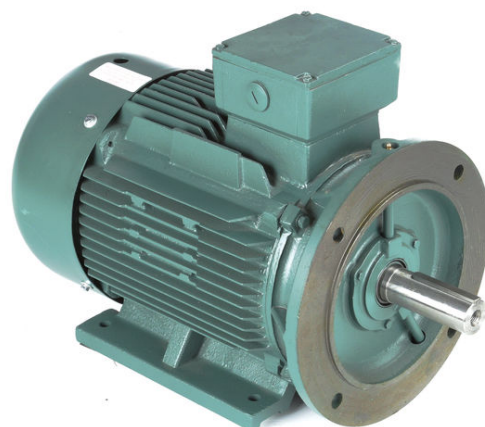
PRODUCT INFORMATION PACKET



Model No: 193356.60

Catalog No: 193356.60

LEESON® PASSPORT 30 HP General Purpose, 3 phase, 3600 RPM, 230/460 V, 180M Frame, TEFC



Regal and Leeson are trademarks of Regal Rexnord Corporation or one of its affiliated companies.

©2023 Regal Rexnord Corporation, All Rights Reserved. MC017097E



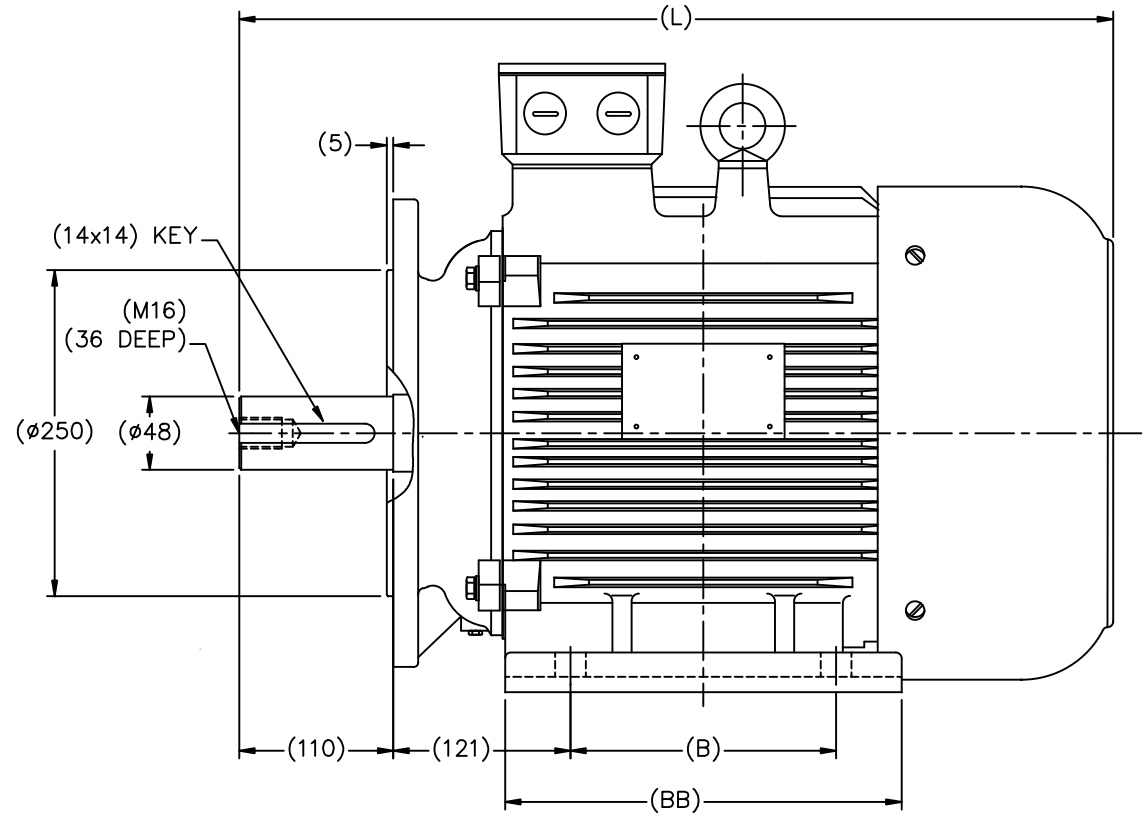
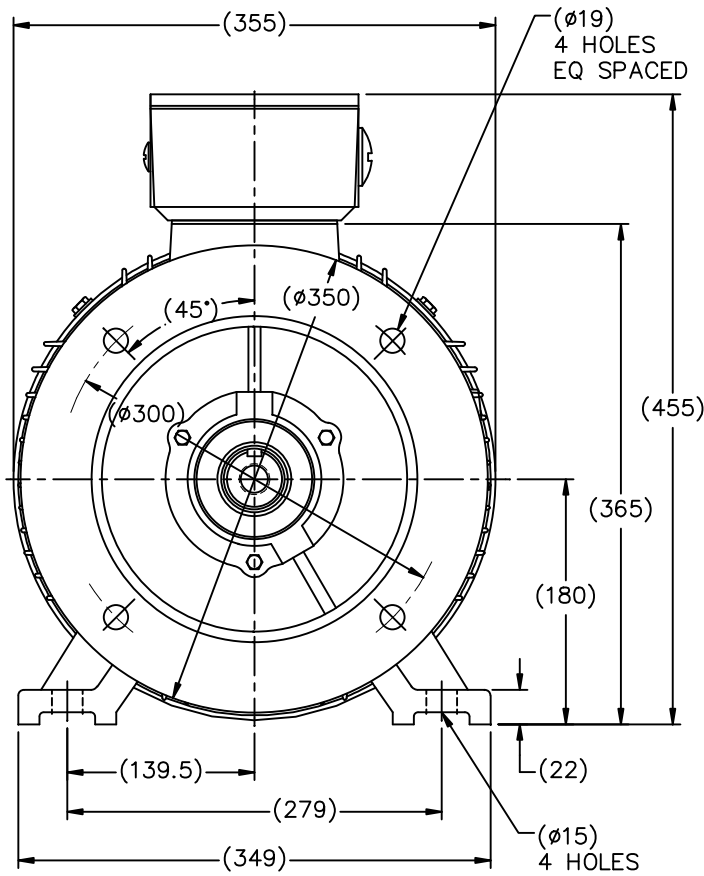


Nameplate Specifications

| | | | |
|------------------------|------------------------------|----------------------------|------------------------------------|
| Phase | 3 | Output HP | 30 & 25 Hp |
| Output KW | 22.4 & 18.7 kW | Voltage | 230/460 & 200/400 V |
| Speed | 3550 & 2955 rpm | Service Factor | 1.15 & 1.15 |
| Frame | 180M | Enclosure | Totally Enclosed Fan Cooled |
| Thermal Protection | Thermostat | Efficiency | 93 & 93 % |
| Ambient Temperature | 40 °C | Frequency | 60 & 50 Hz |
| Current | 69/34.5 & 66/33 A | Power Factor | 87 |
| Duty | Continuous | Insulation Class | F |
| Design Code | B | KVA Code | G |
| Drive End Bearing Size | 6311 | Opp Drive End Bearing Size | 6211 |
| UL | Recognized | CSA | Y |
| CE | Y | IP Code | 55 |
| Number of Speeds | 1 | | |

Technical Specifications

| | | | |
|-----------------------|-------------------------------------|--------------------|--|
| Electrical Type | Squirrel Cage Inverter Rated | Starting Method | Wye Start Delta Run Or Inverter |
| Poles | 2 | Rotation | Reversible |
| Resistance Main | .244 Ohms | Mounting | Rigid Base |
| Motor Orientation | Horizontal | Drive End Bearing | Ball |
| Opp Drive End Bearing | Ball | Frame Material | Cast Iron |
| Shaft Type | IEC | Overall Length | 26.77 in |
| Shaft Diameter | 1.875 in | Shaft Extension | 4.33 in |
| Assembly/Box Mounting | F3 | Inverter Load | CONSTANT 10:1 |
| Outline Drawing | SS622264 | Connection Drawing | 004172.01 |



| Cat.No | FRAME | B | BB | L |
|-----------|------------|-----|-----|-----|
| 193356.60 | DF180MD-2R | 241 | 311 | 680 |
| 193355.60 | DF180MD-4R | 241 | 311 | 680 |
| 193357.60 | DF180LD-4R | 279 | 349 | 718 |
| 193353.60 | DF180LD-6R | 279 | 349 | 718 |

(MAY NOT BE DRAWN TO SCALE)

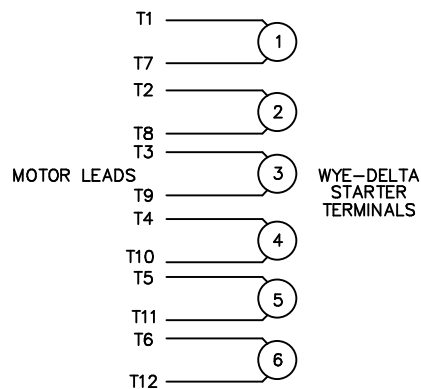
(DIMENSIONS ARE IN MILLIMETERS)

| NO. | | REVISION | BY & DATE | CHK | ANG | FINISH | TOLERANCES UNLESS SPECIFIED | | TITLE OUTLINE DF180MD,LD-2,4,6R | DRAWN HLB 12-07-2010 | | | | | |
|--|--|----------|-----------|-----|-----|--------|-----------------------------|------------|--|----------------------|----------------|-------------|------|----|------|
| | | | | | | | DEC. | METRIC | | CHK | DJK 12-17-2010 | | | | |
| | | | | | | | .X | ±2.5 | | APPD | SB 12-18-2010 | | | | |
| | | | | | | | .XX | ±.76 | | SCALE | 1=18 | | | | |
| | | | | | | | .XXX | ±.127 | | REF | | | | | |
| | | | | | | | .XXXX | ±.0127 | FMF | HEBEI | | | | | |
| | | | | | | | | | PREV | | | | | | |
| THIS DRAWING IN DESIGN AND DETAIL IS OUR PROPERTY AND MUST NOT BE USED EXCEPT IN CONNECTION WITH OUR WORK ALL RIGHTS OF DESIGN AND INVENTION ARE RESERVED THIS IS AN ELECTRONICALLY GENERATED DOCUMENT - DO NOT SCALE THIS PRINT | | | | | | | RFP | 12-22-2010 | CAD FILE | SS622264 | SIZE | DRAWING NO. | PAGE | OF | REV. |
| | | | | | | | DIST | | | | B | SS622264 | | | |

WYE - DELTA STARTING USEABLE ON 2,4 AND 6 POLE MOTORS.

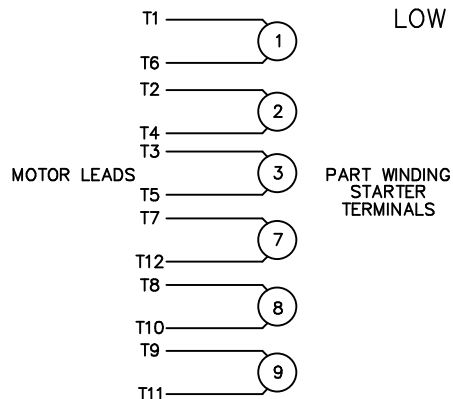
LOW VOLTAGE CONNECTION

HIGH VOLTAGE CONNECTION



REFER TO THE WYE-DELTA STARTER CONNECTION INSTRUCTIONS FOR PROPER CONNECTION OF POWER LINES TO STARTER.

PART WINDING START USABLE ON 4 & 6 POLE MOTORS
LOW VOLTAGE CONNECTION ONLY



REFER TO THE PART WINDING STARTER INSTRUCTIONS FOR PROPER CONNECTION OF POWER LINES TO STARTER.

REFER TO THE CUTLER - HAMMER OR EQUIV. FOR PROPER SELECTION OF OVERLOAD HEATER COILS.



ROTATION CAN BE REVERSED BY INTERCHANGING ANY TWO LINE LEADS
● RED LEADS OR P1, P2, FOR N/C THERMOSTAT

ACROSS THE LINE START & RUN

| | LINE 1 | LINE 2 | LINE 3 | JOIN & INSULATE SEPARATELY |
|-----------|-------------------|-------------------|-------------------|----------------------------|
| HIGH VOLT | T1, T12 | T2, T10 | T3, T11 | (T4, T7) (T5, T8) (T6, T9) |
| LOW VOLT | T1, T6 T7, T12 | T2, T4 T8, T10 | T3, T5 T9, T11 | |

| NO. | REVISION | BY & DATE | CHK | TOLERANCES UNLESS SPECIFIED | | FINISH |
|-----|---|--------------|-----|-----------------------------|--------|--------------------------------------|
| | | | | DEC. | INCHES | |
| | | | | .X | ±.1 | |
| 03 | REV'D LOW VOLTAGE CONN. LEADS PER ELEC. | BJB 06/07/00 | | .XX | ±.01 | TITLE DELTA - WYE CONNECTION DIAGRAM |
| 02 | ADDED T-STAT. NOTES PER ELECTRICAL | KMM 06/02/98 | | .XXX | ±.005 | |
| 01 | REDRAWN TO CAD | DBT 06/02/97 | | .XXXX | ±.0005 | MAT'L. |
| | | | | ANG | ±1/2' | |



ELECTRIC MOTORS
GEARMOTORS
AND DRIVES

| | |
|-------|--------------|
| DRAWN | WLW 09/08/77 |
| CHK | RPB 09/12/77 |
| APPD | JCW 09/12/77 |
| SCALE | 1=1 |
| REF | |
| FMF | |
| PREV | |

THIS DRAWING IN DESIGN AND DETAIL IS OUR PROPERTY AND MUST NOT BE USED EXCEPT IN CONNECTION WITH OUR WORK ALL RIGHTS OF DESIGN AND INVENTION ARE RESERVED THIS IS AN ELECTRONICALLY GENERATED DOCUMENT - DO NOT SCALE THIS PRINT

| | | | | | |
|------|----------|----------|------|-------------|------|
| RFP | CAD FILE | 00417201 | SIZE | DRAWING NO. | REV. |
| DIST | | | A | 004172-01 | 03 |



**1051 CHEYENNE AVE.
GRAFTON, WI 53024
PH. 262-377-8810**

CERTIFICATION DATA SHEET

CONN. DIAGRAM: 004172.01

CATALOG #: 193356.60

OUTLINE: SS622264

MOUNTING: F3

WINDING #: T14502020 3

TYPICAL MOTOR PERFORMANCE DATA

| HP | kW | SYNC. RPM | F.L. RPM | FRAME | ENCLOSURE | KVA CODE | DESIGN |
|-------|-----------|-----------|-----------|-------|-----------|----------|--------|
| 30&25 | 22.4&18.7 | 3600 | 3550&2955 | 180M | TEFC | G | B |

| PH | Hz | VOLTS | AMPS | START TYPE | DUTY | INSL | S.F. | AMB°C |
|----|-------|-----------------|---------------|----------------------|------------|------|-----------|-------|
| 3 | 60/50 | 230/460&200/400 | 69/34.5&66/33 | Y START D RUN OR INV | CONTINUOUS | F5 | 1.15/1.15 | 40 |

| FULL LOAD EFF: | 93&93 | 3/4 LOAD EFF: | 93.6 | 1/2 LOAD EFF: | 93 | GTD. EFF | | ELEC. TYPE | |
|----------------|-------|---------------|------|---------------|------|----------|--|-------------------|--|
| FULL LOAD PF: | 87&87 | 3/4 LOAD PF: | 85.5 | 1/2 LOAD PF: | 79.5 | 91.7 | | SQ CAGE INV RATED | |

| F.L. TORQUE | LOCKED ROTOR AMPS | L,R. TORQUE | B,D. TORQUE | F.L. RISE°C |
|-------------|-------------------|------------------|-----------------|-------------|
| 44.5 LB-FT | 422 / 211 | 89.5 LB-FT 201 % | 119 LB-FT 267 % | 60 |

| SOUND PRESSURE @ 3 FT. | SOUND POWER | ROTOR WK^2 | MAX. WK^2 | SAFE STALL TIME | STARTS / HOUR | APPROX. MOTOR WGT |
|------------------------|-------------|------------|-----------|-----------------|---------------|-------------------|
| 64 dBA | 74 dBA | - LB-FT^2 | - LB-FT^2 | 20 SEC. | 2 | 385 LBS. |

***** SUPPLEMENTAL INFORMATION *****

| DE BRACKET TYPE | ODE BRACKET TYPE | MOUNT TYPE | ORIENTATION | SEVERE DUTY | HAZARDOUS LOCATION | DRIP COVER | SCREENS | PAINT |
|-----------------|------------------|------------|-------------|-------------|--------------------|------------|---------|---------------|
| FF-FLANGE-300 | STANDARD | RIGID | HORIZONTAL | FALSE | NONE | FALSE | NONE | BLUE (ENAMEL) |

| BEARINGS | | GREASE | SHAFT TYPE | SPECIAL DE | SPECIAL ODE | SHAFT MATERIAL | FRAME MATERIAL |
|----------|------|------------|--------------|------------|-------------|-------------------|----------------|
| DE | ODE | | | | | | |
| BALL | BALL | POLYREX EM | STANDARD IEC | NONE | NONE | AISI 1045 (C-240) | CAST IRON |
| 6311 | 6211 | | | | | | |

| THERMO-PROTECTORS | | | | THERMISTORS | CONTROL | SPACE HEATERS |
|-------------------|------------|----------|----------|-------------|---------|---------------|
| THERMOSTATS | PROTECTORS | WDG RTDs | BRG RTDs | | | |
| TSTATS (N/C) | NOT | NONE | NONE | NONE | FALSE | NONE VOLTS |

*
N
O
T
E
S

| |
|---------------------------------------|
| INVERTER TORQUE: CONSTANT 10:1 |
| INV. HP SPEED RANGE: NONE |
| ENCODER: NONE |
| NONE NONE |
| NONE NONE PPR |
| BRAKE: NONE NONE |
| NONE P/N NONE |
| NONE NONE |
| NONE FT-LB NONE V NONE Hz |

Data Sheet

Date: 1/29/2018

193356.60



Data @ 460 V

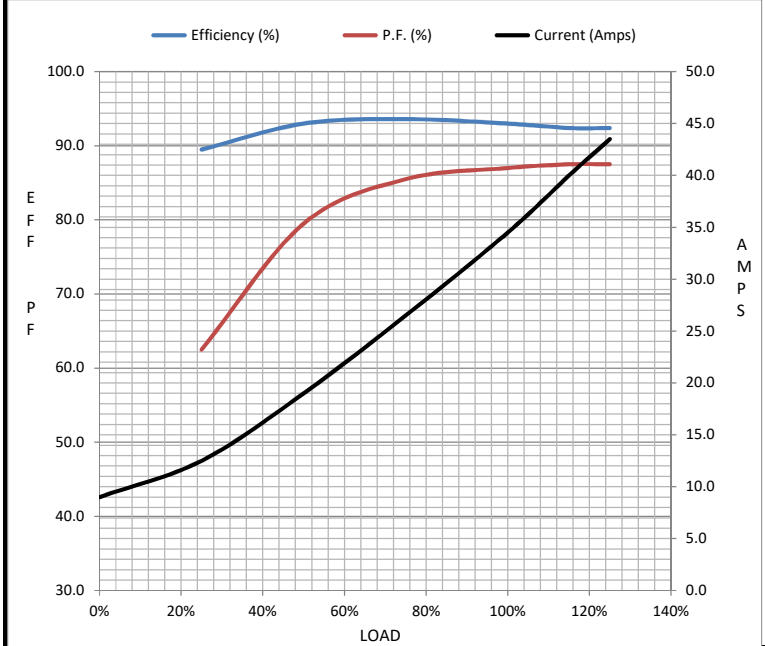
Motor Load Data

| Load | 0% | 25% | 50% | 75% | 100% | 115% | 125% | LR |
|----------------|------|------|------|------|------|-------|------|------|
| Current (Amps) | 9.0 | 12.5 | 19.0 | 26.5 | 34.5 | 40.0 | 43.5 | 211 |
| Torque (ft-lb) | 0.00 | 11.0 | 22.0 | 33.2 | 44.5 | 51.2 | 55.5 | 89.5 |
| RPM | 3600 | 3585 | 3575 | 3565 | 3550 | 3,540 | 3530 | 0 |
| Efficiency (%) | | 89.5 | 93.0 | 93.6 | 93.0 | 92.4 | 92.4 | |
| P.F. (%) | 7.5 | 62.5 | 79.5 | 85.5 | 87.0 | 87.5 | 87.5 | 39.0 |

Motor Speed Data

| | LR | Pull-Up | BD | Rated | Idle |
|----------------|------|---------|------|-------|------|
| Speed (RPM) | 0 | 1000 | 3355 | 3550 | 3600 |
| Current (Amps) | 211 | 200 | 121 | 34.5 | 9.0 |
| Torque (ft-lb) | 89.5 | 72.0 | 119 | 44.5 | 0.00 |

| Information Block | | | | |
|-----------------------------|-------------------------|--------|--------|--------|
| HP | 30.0 | | | |
| Sync. RPM | 3600 | | | |
| Frame | 180 | | | |
| Enclosure | TEFC | | | |
| Construction | TFC | | | |
| Voltage | 230/460#200/400 V | | | |
| Frequency | 60 Hz | | | |
| Design | B | | | |
| LR Code letter | G | | | |
| Service Factor | 1.15 | | | |
| Temp Rise @ FL | 60 °C | | | |
| Duty | CONT | | | |
| Ambient | 40 °C | | | |
| Elevation | 1,000 feet | | | |
| Rotor/Shaft wk ² | 0.00 Lb-Ft ² | | | |
| Ref Wdg | T14502020 NONE | | | |
| Sound Pressure @ 1M | 64 dBA | | | |
| VFD Rating | CONSTANT 10:1 | | | |
| Outline Dwg | SS622264 | | | |
| Conn. Diag | 004172.01 | | | |
| Additional Specifications: | | | | |
| 0 | | | | |
| 0 | | | | |
| EQUIV CKT (OHMS / PHASE) | | | | |
| R1 | R2 | X1 | X2 | Xm |
| 0.0000 | 0.0000 | 0.0000 | 0.0000 | 0.0000 |



Speed - Torque Curve

