

# PRODUCT INFORMATION PACKET



Model No: 120824.00

Catalog No: 120824.00

Woodworking Duty Motor, 3 HP, 1 Ph, 60 Hz, 230 V, 3600 RPM, 145TC Frame, TEFC



Regal and Leeson are trademarks of Regal Rexnord Corporation or one of its affiliated companies.

©2022 Regal Rexnord Corporation, All Rights Reserved. MC017097E





**Nameplate Specifications**

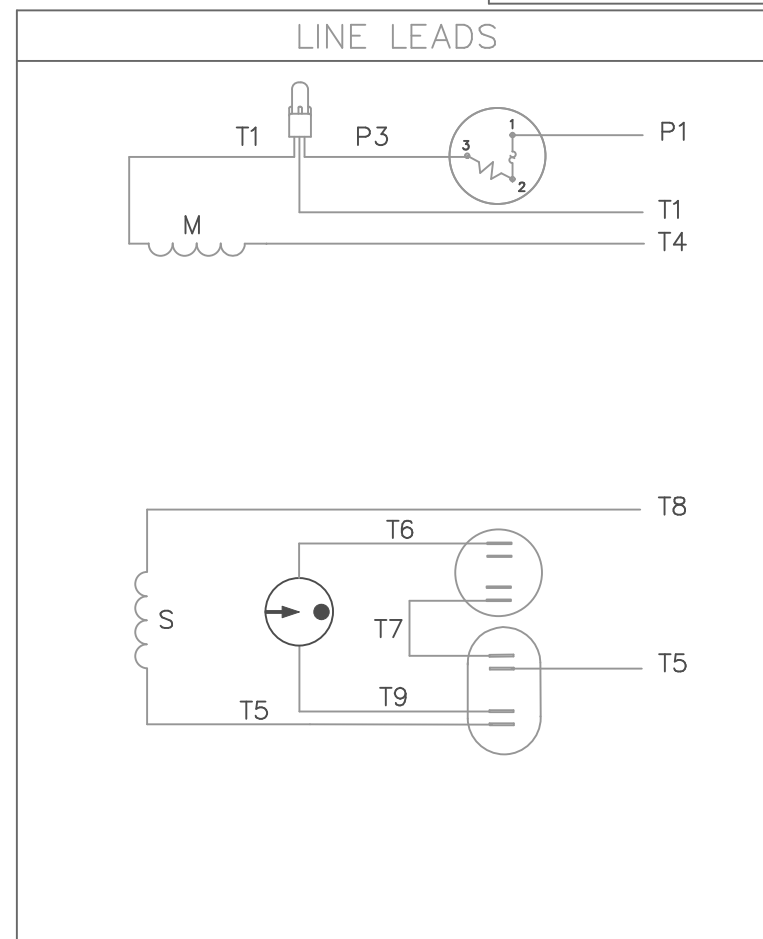
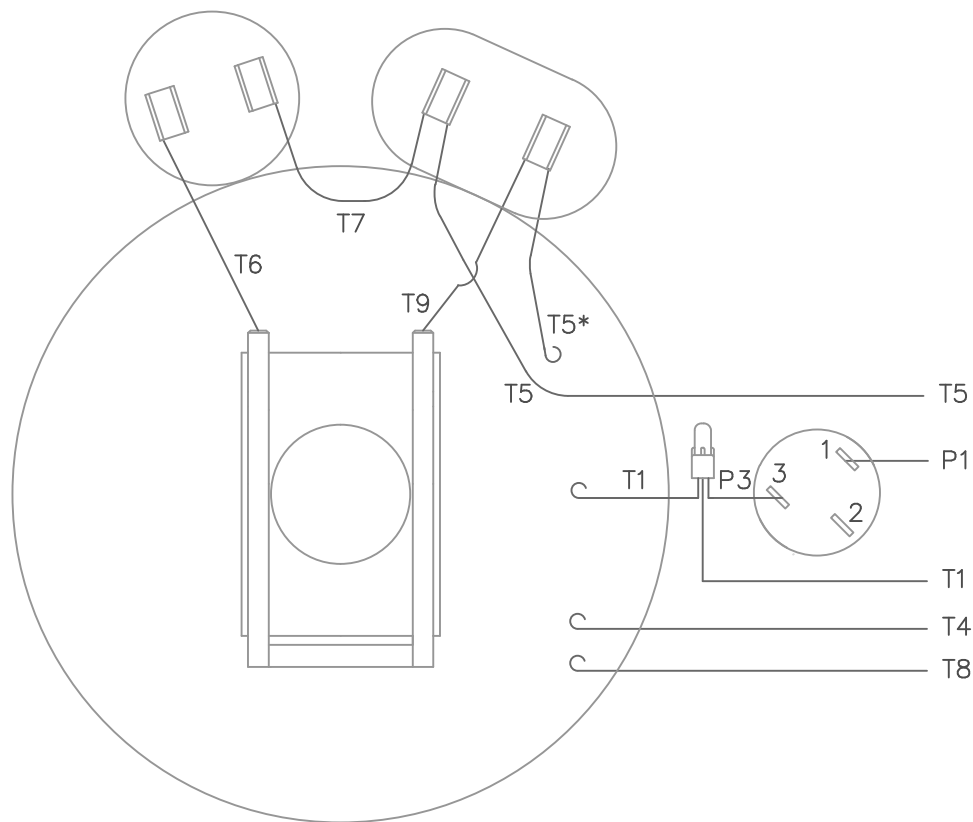
Output HP	<b>3 Hp</b>	Output KW	<b>2.2 kW</b>
Frequency	<b>60 Hz</b>	Voltage	<b>230 V</b>
Current	<b>13.0 A</b>	Speed	<b>3450 rpm</b>
Service Factor	<b>1</b>	Phase	<b>1</b>
Efficiency	<b>81.5 %</b>	Power Factor	<b>91</b>
Duty	<b>Continuous</b>	Insulation Class	<b>F</b>
Design Code	<b>L</b>	KVA Code	<b>J</b>
Frame	<b>145TC</b>	Enclosure	<b>Totally Enclosed Fan Cooled</b>
Thermal Protection	<b>Manual</b>	Ambient Temperature	<b>40 °C</b>
Drive End Bearing Size	<b>6205</b>	Opp Drive End Bearing Size	<b>6203</b>
UL	<b>Recognized</b>	CSA	<b>Y</b>
CE	<b>N</b>	IP Code	<b>43</b>
Number of Speeds	<b>1</b>		

**Technical Specifications**

Electrical Type	<b>Capacitor Start Capacitor Run</b>	Starting Method	<b>Across The Line</b>
Poles	<b>2</b>	Rotation	<b>Selective Counterclockwise</b>
Resistance Main	<b>.52 Ohms</b>	Mounting	<b>Round</b>
Motor Orientation	<b>Horizontal</b>	Drive End Bearing	<b>Ball</b>
Opp Drive End Bearing	<b>Ball</b>	Frame Material	<b>Rolled Steel</b>
Shaft Type	<b>T</b>	Overall Length	<b>14.43 in</b>
Frame Length	<b>8.50 in</b>	Shaft Diameter	<b>0.875 in</b>
Shaft Extension	<b>2.25 in</b>	Assembly/Box Mounting	<b>F1 ONLY</b>
Outline Drawing	<b>028591-850C</b>	Connection Drawing	<b>005056.03</b>



VIEW FROM OUTSIDE OF MOTOR AT SWITCH END.



ROTATION FACING LEAD END	L1	L2	JOIN
C.C.W.	P1	T4, T5	T1, T8
C.W.	P1	T4, T8	T1, T5

\* THIS LEAD MAY BE WHITE

			TOLERANCES UNLESS SPECIFIED		LEESON	ELECTRIC MOTORS GEARMOTORS AND DRIVES	DRAWN WLW 08/30/76 CHK WRK 09/24/76 APPD		
			DEC.	INCHES					
			.X	±.1					
08	ALTERNATE T5 LEAD MARKING WAS RED	RLW 8/6/02	.XX	±.01	TITLE	EXTERNAL WIRING DIAGRAM TYPE "K" W/ PROTECTOR	SCALE 1=1		
07	ADDED ALTERNATE T5 LEAD MARKING	RLW 5/31/02	KH	±.005			REF		
06	REDRAWN TO CAD	DBT 5/31/02		±.0005	MAT'L.	DECAL - 004015	FMF 6K17FB4		
NO.	REVISION	BY & DATE	CHK	ANG	FINISH		PREV		
THIS DRAWING IN DESIGN AND DETAIL IS OUR PROPERTY AND MUST NOT BE USED EXCEPT IN CONNECTION WITH OUR WORK ALL RIGHTS OF DESIGN AND INVENTION ARE RESERVED THIS IS AN ELECTRONICALLY GENERATED DOCUMENT - DO NOT SCALE THIS PRINT			RFP		CAD FILE	00505603	SIZE A	DRAWING NO. 005056-03	REV. 08
			DIST	BRF-NLV					



**1051 CHEYENNE AVE.  
GRAFTON, WI 53024  
PH. 262-377-8810**

**CERTIFICATION DATA SHEET**

**CATALOG #:** 120824.00

**CONN. DIAGRAM:** 005056.03

**OUTLINE:** 028591-850C

**MOUNTING:** F1 ONLY

**WINDING #:** K632129 FR 2 A

**TYPICAL MOTOR PERFORMANCE DATA**

HP	kW	SYNC. RPM	F.L. RPM	FRAME	ENCLOSURE	KVA CODE	DESIGN
3	2.24	3600	3450	145TC	TEFC	J	L

PH	Hz	VOLTS	AMPS	START TYPE	DUTY	INSL	S.F.	AMB°C
1	60	230	13	ACROSS THE LINE	CONTINUOUS	F4	1.0	40

FULL LOAD EFF:	81.5	3/4 LOAD EFF:	81.3	1/2 LOAD EFF:	77.3	GTD. EFF		ELEC. TYPE	
FULL LOAD PF:	91	3/4 LOAD PF:	88.2	1/2 LOAD PF:	81	78.5		CAP START CAP RUN	

F.L. TORQUE	LOCKED ROTOR AMPS	L.R. TORQUE	B.D. TORQUE	F.L. RISE°C
4.5 LB-FT	100	12.5 LB-FT 278 %	13.5 LB-FT 300 %	80

SOUND PRESSURE @ 3 FT.	SOUND POWER	ROTOR WK^2	MAX. WK^2	SAFE STALL TIME	STARTS / HOUR	APPROX. MOTOR WGT
0 dBA	10 dBA	0.1 LB-FT^2	0 LB-FT^2	0 SEC.	0	56 LBS.

**\*\*\* SUPPLEMENTAL INFORMATION \*\*\***

DE BRACKET TYPE	ODE BRACKET TYPE	MOUNT TYPE	ORIENTATION	SEVERE DUTY	HAZARDOUS LOCATION	DRIP COVER	SCREENS	PAINT
C-FACE	STANDARD	ROUND	HORIZONTAL	FALSE	NONE	FALSE	NONE	BLUE - LEESON (ENAMEL)

BEARINGS		GREASE	SHAFT TYPE	SPECIAL DE	SPECIAL ODE	SHAFT MATERIAL	FRAME MATERIAL
DE	ODE						
BALL	BALL	POLYREX EM	STANDARD 56	NONE	NONE	1144 STRESSPROOF (C-223)	ROLLED STEEL
6205	6203						

THERMO-PROTECTORS				THERMISTORS	CONTROL	SPACE HEATERS
THERMOSTATS	PROTECTORS	WDG RTDs	BRG RTDs			
NONE	MANUAL	NONE	NONE	NONE	FALSE	NONE VOLTS

\*  
N  
O  
T  
E  
S

<b>INVERTER TORQUE:</b> NONE
<b>INV. HP SPEED RANGE:</b> NONE
<b>ENCODER:</b> NONE
NONE NONE
NONE NONE PPR
<b>BRAKE:</b> NONE NONE
NONE P/N NONE
NONE NONE
FT-LB V NONE Hz

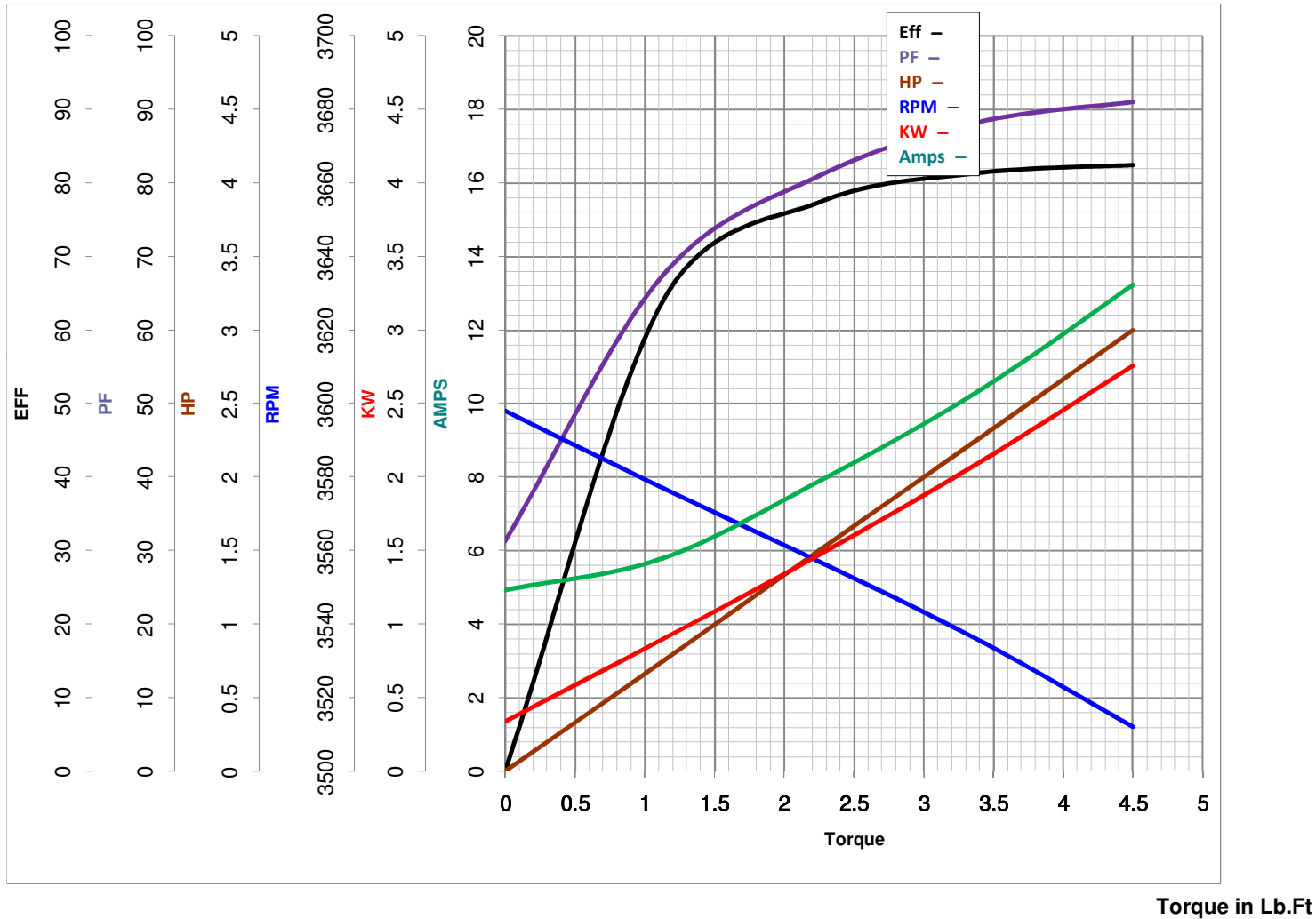


**LEESON ELECTRIC CORPORATION**  
 TYPICAL PERFORMANCE CURVE for AC MOTOR

Model No 120824.00

Catalog No 120824.00

Curve at 230 Volts      HP 3.00      PHASE 1  
60 HZ  
3 HP      VOLTS 230  
    HZ 60      RPM 3450



FL TORQUE 4.5 Lb.Ft  
 BD TORQUE 13.5 Lb.Ft  
 LR TORQUE 12.5 Lb.Ft

FL AMPS 13  
 PU TORQUE 12.0 Lb.Ft  
 LR AMPS 100

WINDING K632129-2

Date 4/23/2018