

PRODUCT INFORMATION PACKET



Model No: 120026.00
Catalog No: 120026.00
1.50 HP General Purpose Motor, 1 phase, 1800 RPM, 115/208-230 V, 145 Frame, TEFC
General Purpose Motors



Regal and Leeson are trademarks of Regal Rexnord Corporation or one of its affiliated companies.
©2021 Regal Rexnord Corporation, All Rights Reserved. MC017097E





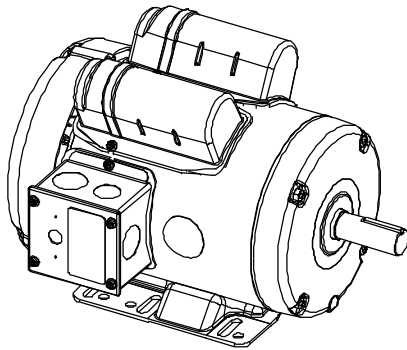
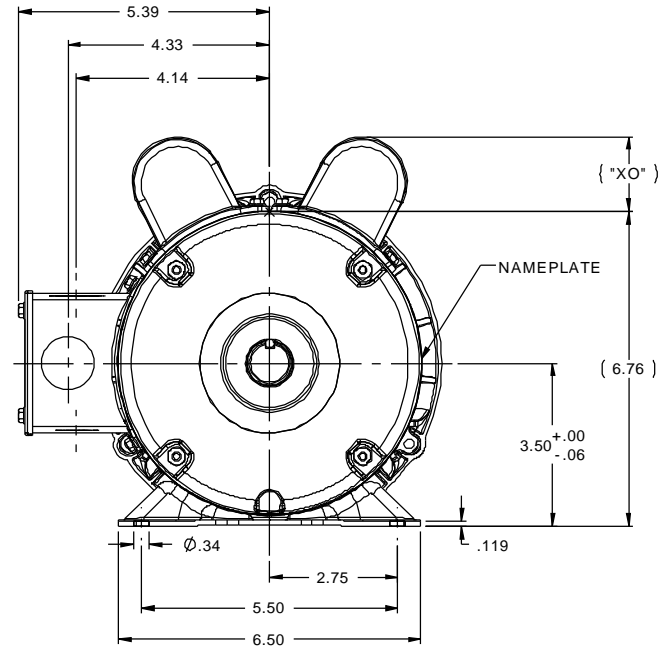
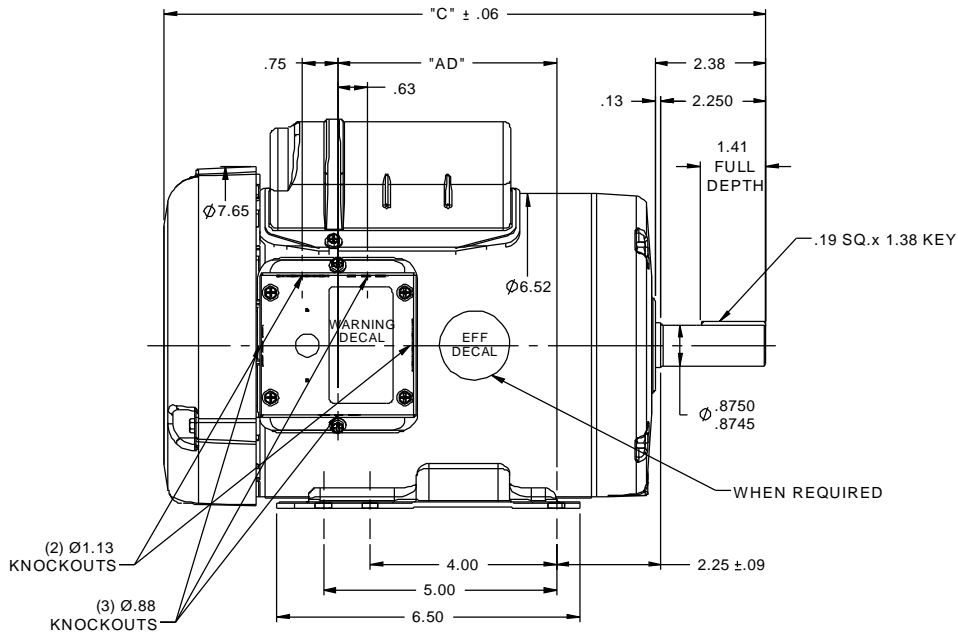
Nameplate Specifications

Output HP	1.50 Hp	Output KW	1.1 kW
Frequency	60 Hz	Voltage	115/208-230 V
Current	17.2/8.8-8.6 A	Speed	1740 rpm
Service Factor	1	Phase	1
Efficiency	79 %	Power Factor	73
Duty	Continuous	Insulation Class	B
Design Code	L	KVA Code	J
Frame	145T	Enclosure	Totally Enclosed Fan Cooled
Thermal Protection	No	Ambient Temperature	40 °C
Drive End Bearing Size	6205	Opp Drive End Bearing Size	6203
UL	Recognized	CSA	Y
CE	N	IP Code	43
Number of Speeds	1		

Technical Specifications

Electrical Type	Capacitor Start Capacitor Run	Starting Method	Across The Line
Poles	4	Rotation	Selective Counterclockwise
Resistance Main	1.32 Ohms	Mounting	Rigid Base
Motor Orientation	Horizontal	Drive End Bearing	Ball
Opp Drive End Bearing	Ball	Frame Material	Rolled Steel
Shaft Type	T	Overall Length	13.43 in
Frame Length	7.50 in	Shaft Diameter	0.875 in
Shaft Extension	2.25 in	Assembly/Box Mounting	F1 ONLY
Outline Drawing	028803-750B	Connection Drawing	005054.01

RBC PROPRIETARY AND CONFIDENTIAL INFORMATION
 This document is the property of REGAL BELOIT CORPORATION ("RBC") including its subsidiaries and divisions and contains proprietary information of RBC. This document is loaned on the express condition that neither the information contained therein shall be disclosed to others without the express written consent of RBC, and that the information shall be used by the recipient only as approved expressly by RBC. This document shall be returned to RBC upon its request. This document may be subject to certain restrictions under U.S. export control laws and regulations.



DASH NO.	"C"	"AD"	CAP DASH	"XO"
700	12.93	4.69	A	1.15
750	13.43	5.19	B	1.60
800	13.93	5.69	C	1.82
850	14.43	6.19		

NOTE:
 1) GASKETS THROUGHOUT

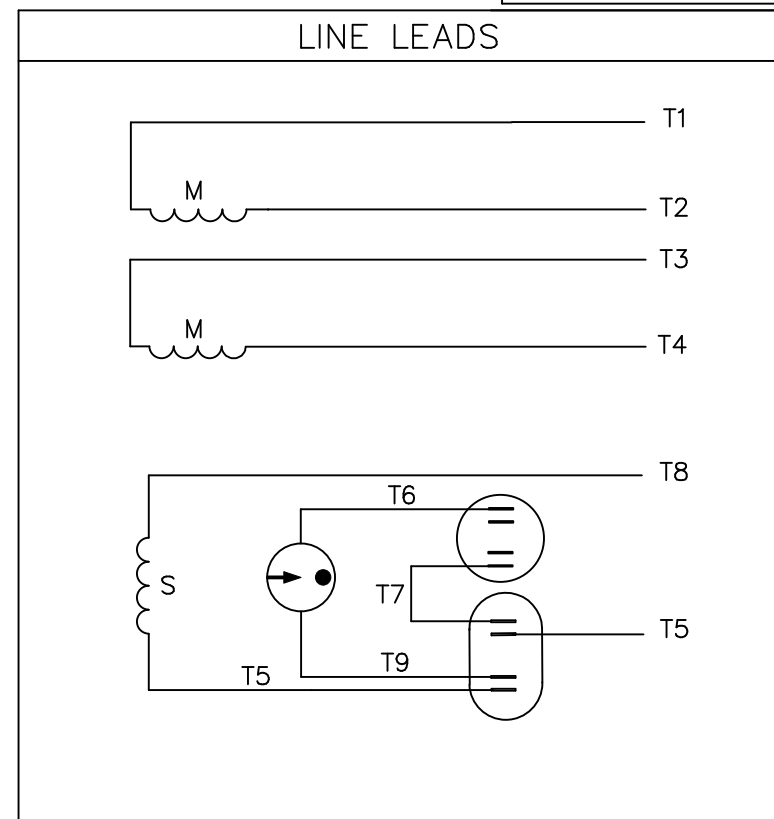
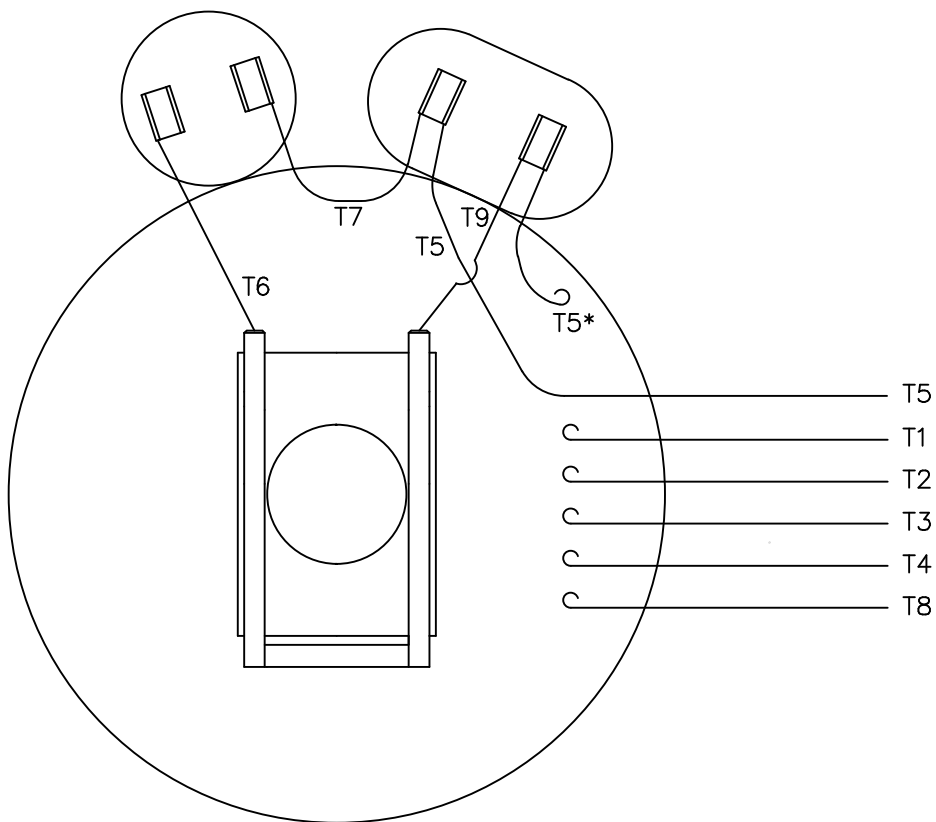
TOLERANCES UNLESS SPECIFIED		DEC INCHES		TITLE	FINISH	DRAWN
X	±.1	XX	±.03			
XXX	±.005	XXXX	±.0005			CHK
01	CORRECTED BASE LOCATION ECR 0035519	GS	3/5/13			APPR
NO	REVISION	BY & DATE	CHK LANG	±1/2°	FINISH GENERAL PURPOSE	SCALE
			RFP	PREV		3:8
	THIRD ANGLE PROJECTION		NETWORK FILE NAME	028803		REF
						028589
						FMF
						PAGE OF
						REV
						01



ELECTRIC MOTORS
 GEARMOTORS
 AND DRIVES

SIZE **B** DRAWING NO **028803** REV **01**

VIEW FROM OUTSIDE OF MOTOR AT SWITCH END.



	ROTATION FACING LEAD END	L1	L2	JOIN
HIGH VOLT	C.C.W.	T1	T4 T5	T2,T3 T8
	C.W.	T1	T4 T8	T2,T3 T5
LOW VOLT	C.C.W.	T1 T3,T8	T2,T4 T5	
	C.W.	T1,T3 T5	T2,T4 T8	

* THIS LEAD MAY BE WHITE

		TOLERANCES UNLESS SPECIFIED		TITLE	DRAWN JRW 09/27/74
		DEC.	INCHES		
			.X ±.1	LEESON ELECTRIC MOTORS GEARMOTORS AND DRIVES EXT. WIRING DIAGRAM TYPE "K" W/O PROTECTOR DECAL-004012	APPD 10/11/74
11	ALTERNATE T5 LEAD MARKING WAS RED	RLW 8/6/02	.XX ±.01		SCALE 1=1
10	ADDED ALTERNATE T5 LEAD MARKING	RLW 6/5/02 KH	.XXX ±.005		REF A-005053
09	REDRAWN TO CAD	DBT 05/28/97	.XXXX ±.0005		FMF W-K6343
NO.	REVISION	BY & DATE	CHK ANG ±1/2'		PREV
THIS DRAWING IN DESIGN AND DETAIL IS OUR PROPERTY AND MUST NOT BE USED EXCEPT IN CONNECTION WITH OUR WORK ALL RIGHTS OF DESIGN AND INVENTION ARE RESERVED THIS IS AN ELECTRONICALLY GENERATED DOCUMENT - DO NOT SCALE THIS PRINT				RFP	CAD FILE 00505401
				DIST BRF-NLV	SIZE A
					DRAWING NO. 005054-01
					REV. 11



CERTIFICATION DATA SHEET

**1051 CHEYENNE AVE.
GRAFTON, WI 53024
PH. 262-377-8810**

CATALOG #: 120026.00

CONN. DIAGRAM: 005054.01

OUTLINE: 028803-750B

MOUNTING: F1 ONLY

WINDING #: K634119 FR 3 D

TYPICAL MOTOR PERFORMANCE DATA

HP	kW	SYNC. RPM	F.L. RPM	FRAME	ENCLOSURE	KVA CODE	DESIGN
1 1/2	1.12	1800	1740	145	TEFC	J	L

PH	Hz	VOLTS	AMPS	START TYPE	DUTY	INSL	S.F.	AMB°C
1	60	115/208-230	17.2/8.8-8.6	ACROSS THE LINE	CONTINUOUS	B4	1.0	40

FULL LOAD EFF:	79	3/4 LOAD EFF:	78.7	1/2 LOAD EFF:	75.8	GTD. EFF		ELEC. TYPE
FULL LOAD PF:	73	3/4 LOAD PF:	65.8	1/2 LOAD PF:	53.2	75.5	CAP START CAP RUN	

F.L. TORQUE	LOCKED ROTOR AMPS	L.R. TORQUE	B.D. TORQUE	F.L. RISE°C
4.48 LB-FT	100 / 50	13 LB-FT 289 %	10.7 LB-FT 238 %	82

SOUND PRESSURE @ 3 FT.	SOUND POWER	ROTOR WK^2	MAX. WK^2	SAFE STALL TIME	STARTS / HOUR	APPROX. MOTOR WGT
62 dBA	72 dBA	0.14 LB-FT^2	0.1 LB-FT^2	10 SEC.	0	42 LBS.

***** SUPPLEMENTAL INFORMATION *****

DE BRACKET TYPE	ODE BRACKET TYPE	MOUNT TYPE	ORIENTATION	SEVERE DUTY	HAZARDOUS LOCATION	DRIP COVER	SCREENS	PAINT
STANDARD	STANDARD	RIGID	HORIZONTAL	FALSE	NONE	FALSE	NONE	BLUE - LEESON (ENAMEL)

BEARINGS		GREASE	SHAFT TYPE	SPECIAL DE	SPECIAL ODE	SHAFT MATERIAL	FRAME MATERIAL
DE	ODE						
BALL	BALL	POLYREX EM	STANDARD 56	NONE	NONE	1144 STRESSPROOF (C-223)	ROLLED STEEL
6205	6203						

THERMO-PROTECTORS				THERMISTORS	CONTROL	SPACE HEATERS
THERMOSTATS	PROTECTORS	WDG RTDs	BRG RTDs			
NONE	NOT	NONE	NONE	NONE	FALSE	NONE VOLTS

*
N
O
T
E
S

INVERTER TORQUE: NONE
INV. HP SPEED RANGE: NONE
ENCODER: NONE
NONE NONE
NONE NONE PPR
BRAKE: NONE NONE
NONE P/N NONE
NONE NONE
NONE FT-LB NONE V NONE HZ



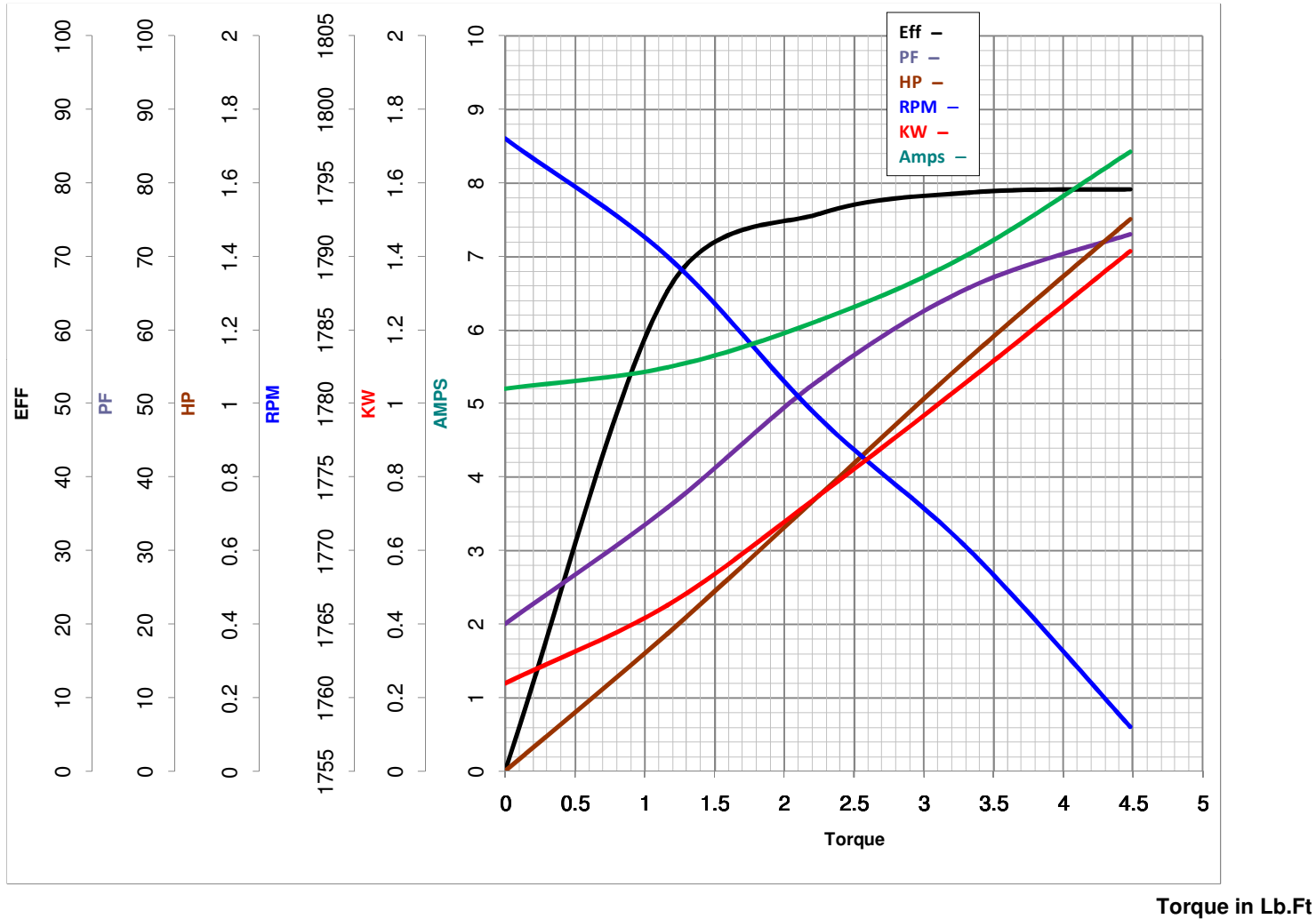
LEESON ELECTRIC CORPORATION
 TYPICAL PERFORMANCE CURVE for AC MOTOR

Model No 120026.00

Curve at 230 Volts HP 1.50 PHASE 1
60 HZ
1.5 HP VOLTS 115/208-230

Catalog No 120026.00

HZ 60 RPM 1740



FL TORQUE 4.48 Lb.Ft
 BD TORQUE 10.7 Lb.Ft
 LR TORQUE 13 Lb.Ft

FL AMPS 17.2/8.8-8.6
 PU TORQUE 9.3 Lb.Ft
 LR AMPS 50

WINDING K634119-3

Date 3/28/2018