

PRODUCT INFORMATION PACKET



Model No: 115024.00

Catalog No: 115024.00

General Purpose Motor, 1.50 HP, 1 Ph, 60 Hz, 115/230 V, 3600 RPM, 56C Frame, TEFC

Operational at 115/208-230 V @60HZ



Regal and Leeson are trademarks of Regal Rexnord Corporation or one of its affiliated companies.

©2023 Regal Rexnord Corporation, All Rights Reserved. MC017097E



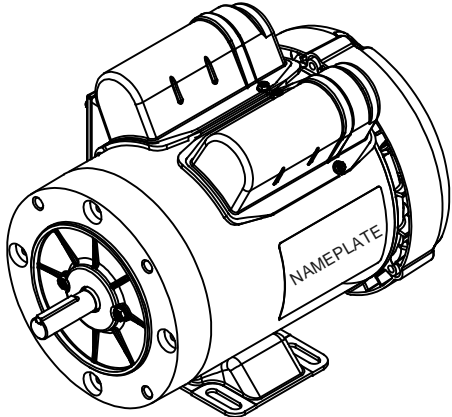
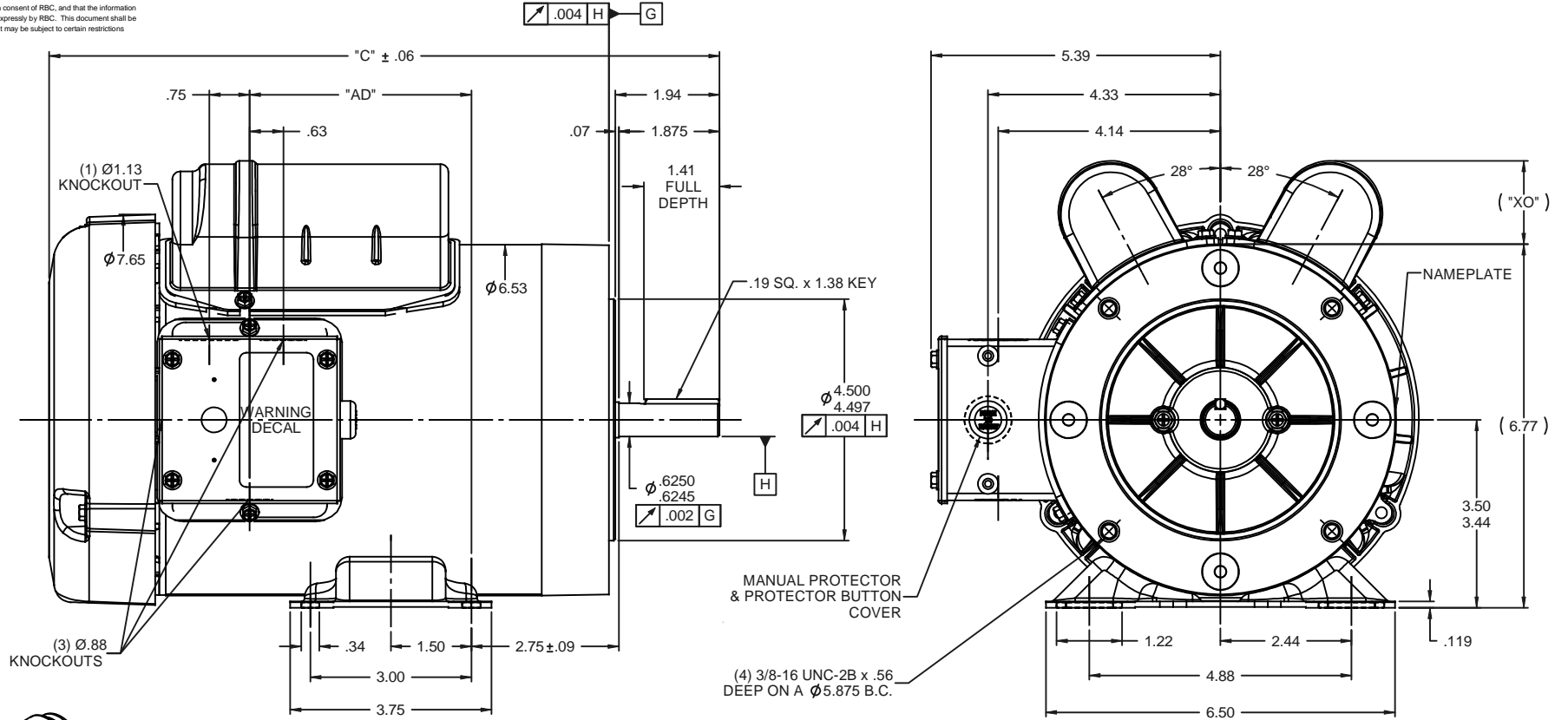


Nameplate Specifications

Phase	1	Output HP	1.50 Hp
Output KW	1.1 kW	Voltage	115/230 V
Speed	3450 rpm	Service Factor	1.15
Frame	56C	Enclosure	Totally Enclosed Fan Cooled
Thermal Protection	Manual	Efficiency	82.5 %
Ambient Temperature	40 °C	Frequency	60 Hz
Current	12.4/6.2 A	Power Factor	96
Duty	Continuous	Insulation Class	F
Design Code	L	KVA Code	H
Drive End Bearing Size	6203	Opp Drive End Bearing Size	6203
UL	Recognized	CSA	Y
CE	N	IP Code	43
Number of Speeds	1		

Technical Specifications

Electrical Type	Capacitor Start Capacitor Run	Starting Method	Across The Line
Poles	2	Rotation	Selective Counterclockwise
Resistance Main	1.36 Ohms	Mounting	Rigid Base
Motor Orientation	Horizontal	Drive End Bearing	Ball
Opp Drive End Bearing	Ball	Frame Material	Rolled Steel
Shaft Type	NEMA 56	Overall Length	12.49 in
Frame Length	7.00 in	Shaft Diameter	0.625 in
Shaft Extension	1.88 in	Assembly/Box Mounting	F1 ONLY
Outline Drawing	028906-700B	Connection Drawing	005053.02



DASH NO.	"C"	"AD"	CAP DASH	"XO"
700	12.49	4.13		
750	12.99	4.63	A	1.15
800	13.49	5.13	B	1.60
850	13.99	5.63	C	1.82

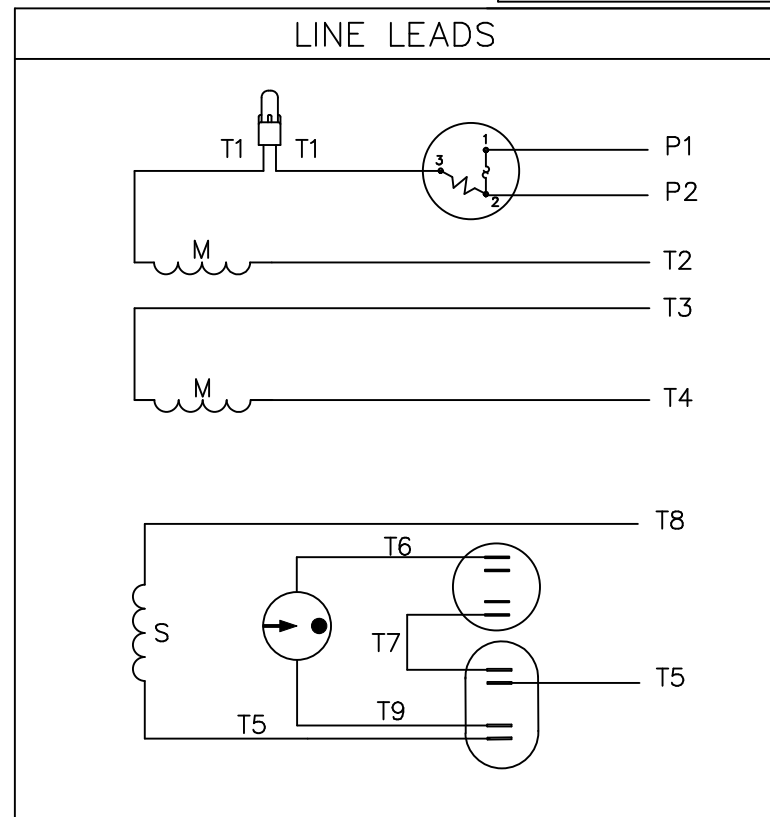
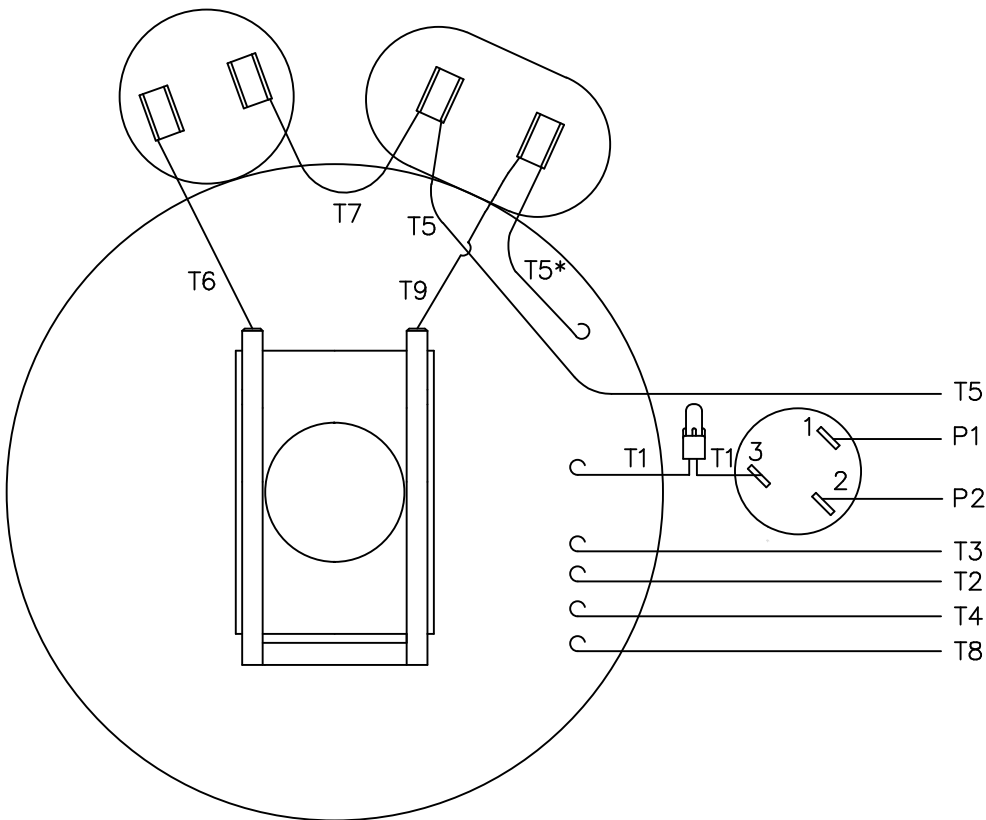
NOTES:
GASKETS THROUGHOUT.

NO	REVISION	BY & DATE	CHK	ANG	±1/2"	FINISH	LEESON ELECTRIC MOTORS GEARMOTORS AND DRIVES		DRAWN	GRB 11/28/08
									CHK	DJ 11/28/08
									APPR	DJ 11/28/08
							TITLE OUTLINE - 56 FRAME		SCALE 1:2	
							TEFC - RIGID		REF 028650	
							MATL GENERAL PURPOSE		FMF 115024.00	
									PAGE	1 OF 1
									SIZE	DRAWING NO
									B	028906
										REV

THIRD ANGLE PROJECTION

NETWORK FILE NAME

VIEW FROM OUTSIDE OF MOTOR AT SWITCH END.



	ROTATION FACING LEAD END	L1	L2	JOIN	INSULATE SEPARATELY
HIGH VOLT	C.C.W.	P1	T4 T5	T2,T3 T8	P2
	C.W.	P1	T4 T8	T2,T3 T5	P2
LOW VOLT	C.C.W.	P1	T2,T4 T5	P2,T3 T8	-----
	C.W.	P1	T2,T4 T8	P2,T3 T5	-----

* THIS LEAD MAY BE WHITE

NO.	REVISION	BY & DATE	CHK	TOLERANCES UNLESS SPECIFIED	
				DEC.	INCHES
				.X	±.1
				.XX	±.01
04	ADDED "*" TO T5	RLW 7/22/02		.XXX	±.005
03	REDRAWN ON CAD	DBT 05/27/97		.XXXX	±.0005
				ANG	±1/2°

REGAL-BELOIT Motor Technologies Group

DRAWN ADH 06/16/76
 CHK WRK 06/30/76
 APPD
 SCALE 1=1
 REF
 FMF 6K17FB8A
 PREV

TITLE: EXTERNAL WIRING DIAGRAM TYPE "K" W/PROTECTOR
 MAT'L: DECAL 004011
 FINISH

THIS DRAWING IN DESIGN AND DETAIL IS OUR PROPERTY AND MUST NOT BE USED EXCEPT IN CONNECTION WITH OUR WORK ALL RIGHTS OF DESIGN AND INVENTION ARE RESERVED THIS IS AN ELECTRONICALLY GENERATED DOCUMENT - DO NOT SCALE THIS PRINT		RFP	CAD FILE	00505302	SIZE	DRAWING NO.	REV.
		DIST			A	005053-02	04



1051 CHEYENNE AVE.
GRAFTON, WI 53024
PH. 262-377-8810

CERTIFICATION DATA SHEET

CONN. DIAGRAM: 005053.02
OUTLINE: 028906-700B
WINDING #: K632140 FR 3 B

CATALOG #: 115024.00
MOUNTING: F1 ONLY

TYPICAL MOTOR PERFORMANCE DATA

HP	kW	SYNC. RPM	F.L. RPM	FRAME	ENCLOSURE	KVA CODE	DESIGN
1 1/2	1.12	3600	3450	56C	TEFC	H	L

PH	Hz	VOLTS	AMPS	START TYPE	DUTY	INSL	S.F.	AMB°C
1	60	115/208-230	12.4/6.8-6.2	ACROSS THE LINE	CONTINUOUS	F4	1.15	40

FULL LOAD EFF:	82.5	3/4 LOAD EFF:	83.4	1/2 LOAD EFF:	79.8	GTD. EFF		ELEC. TYPE	
FULL LOAD PF:	96	3/4 LOAD PF:	95.2	1/2 LOAD PF:	93.5	80		CAP START CAP RUN	

F.L. TORQUE	LOCKED ROTOR AMPS	L.R. TORQUE	B.D. TORQUE	F.L. RISE°C
2.25 LB-FT	90 / 45	4.9 LB-FT 218 %	6.9 LB-FT 307 %	65

SOUND PRESSURE @ 3 FT.	SOUND POWER	ROTOR WK^2	MAX. WK^2	SAFE STALL TIME	STARTS / HOUR	APPROX. MOTOR WGT
0 dBA	10 dBA	0.06 LB-FT^2	0.1 LB-FT^2	0 SEC.	0	38 LBS.

***** SUPPLEMENTAL INFORMATION *****

DE BRACKET TYPE	ODE BRACKET TYPE	MOUNT TYPE	ORIENTATION	SEVERE DUTY	HAZARDOUS LOCATION	DRIP COVER	SCREENS	PAINT
C-FACE	STANDARD	RIGID	HORIZONTAL	FALSE	NONE	FALSE	NONE	BLUE - LEESON (ENAMEL)

BEARINGS		GREASE	SHAFT TYPE	SPECIAL DE	SPECIAL ODE	SHAFT MATERIAL	FRAME MATERIAL
DE	ODE						
BALL	BALL	POLYREX EM	STANDARD 56	NONE	NONE	1144 STRESSPROOF (C-223)	ROLLED STEEL
6203	6203						

THERMO-PROTECTORS				THERMISTORS	CONTROL	SPACE HEATERS
THERMOSTATS	PROTECTORS	WDG RTDs	BRG RTDs			
NONE	MANUAL	NONE	NONE	NONE	FALSE	NONE VOLTS

INVERTER TORQUE: NONE
INV. HP SPEED RANGE: NONE
ENCODER: NONE NONE NONE NONE NONE PPR
BRAKE: NONE NONE NONE P/N NONE NONE NONE NONE FT-LB NONE V NONE Hz

*
N
O
T
E
S
*



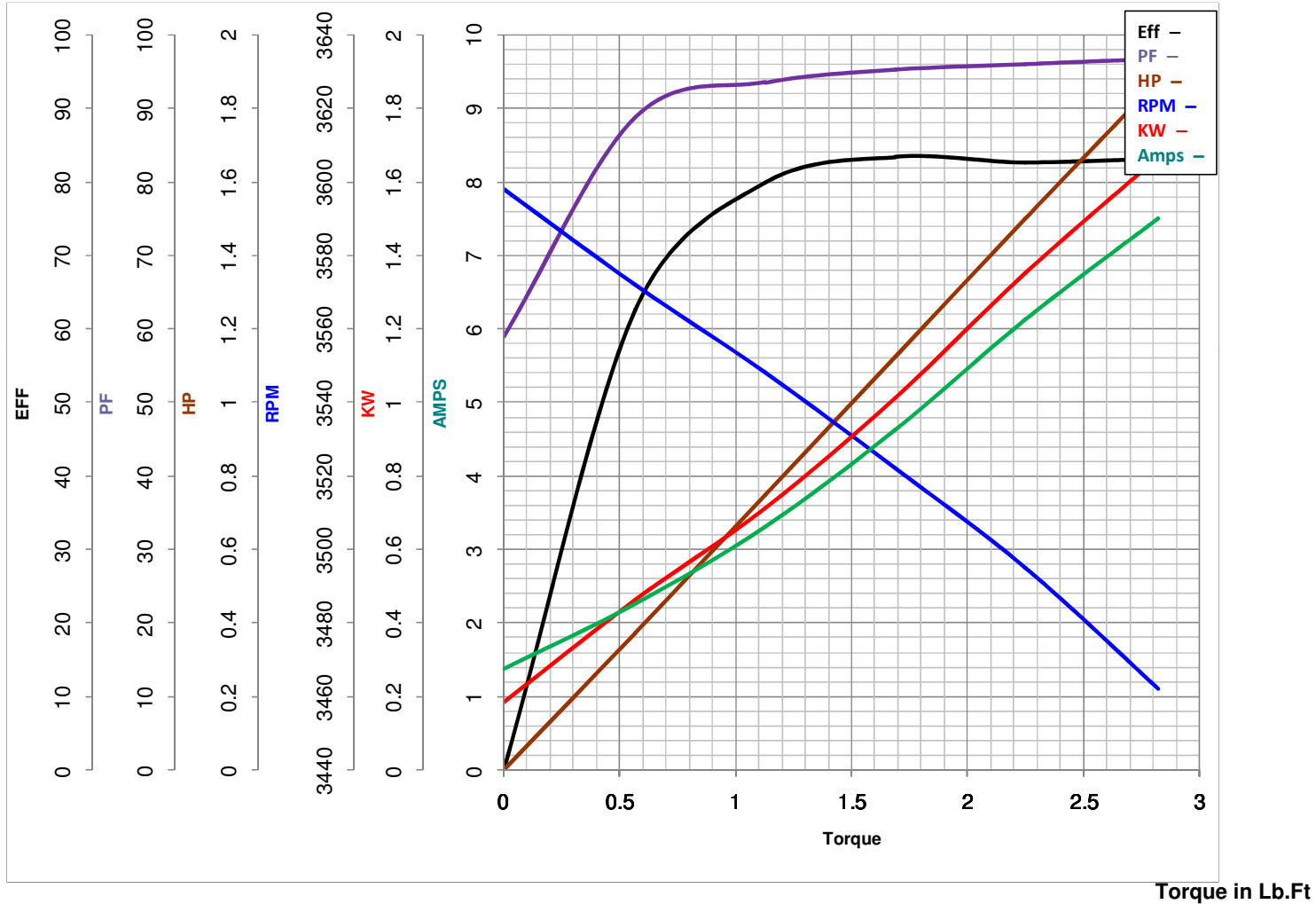
LEESON ELECTRIC CORPORATION
TYPICAL PERFORMANCE CURVE for AC MOTOR

Model No 115024.00

Catalog No 115024.00

Curve at 230 Volts HP 1.50 PHASE 1
60 HZ
1.5 HP VOLTS 115/208-230

HZ 60 RPM 3450



FL TORQUE	<u>2.25</u>	Lb.Ft	FL AMPS	<u>12.4/6.8-6.2</u>
BD TORQUE	<u>6.9</u>	Lb.Ft	PU TORQUE	<u>4.8</u> Lb.Ft
LR TORQUE	<u>4.9</u>	Lb.Ft	LR AMPS	<u>45</u>
WINDING	K632140-3		Date	<u>3/26/2018</u>