

# PRODUCT INFORMATION PACKET



Model No: 114933.00

Catalog No: 114933.00

Instant Reversing Motor, 1 HP, 1 Ph, 60 Hz, 115/208-230 V, 1800 RPM, 56 Frame, TEFC



Regal and Leeson are trademarks of Regal Rexnord Corporation or one of its affiliated companies.

©2022 Regal Rexnord Corporation, All Rights Reserved. MC017097E



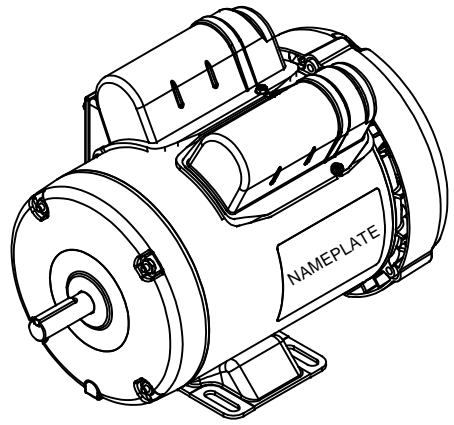
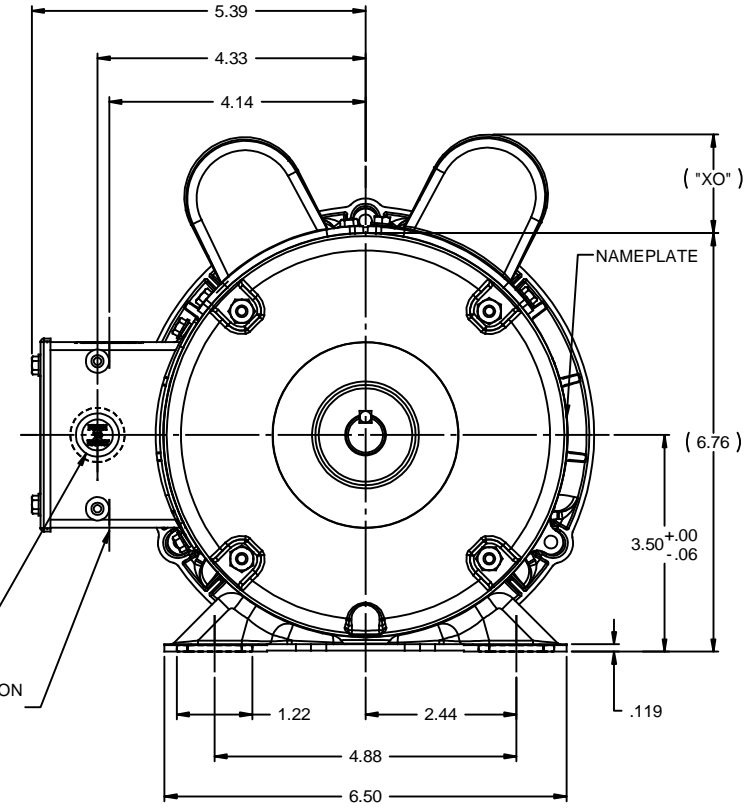
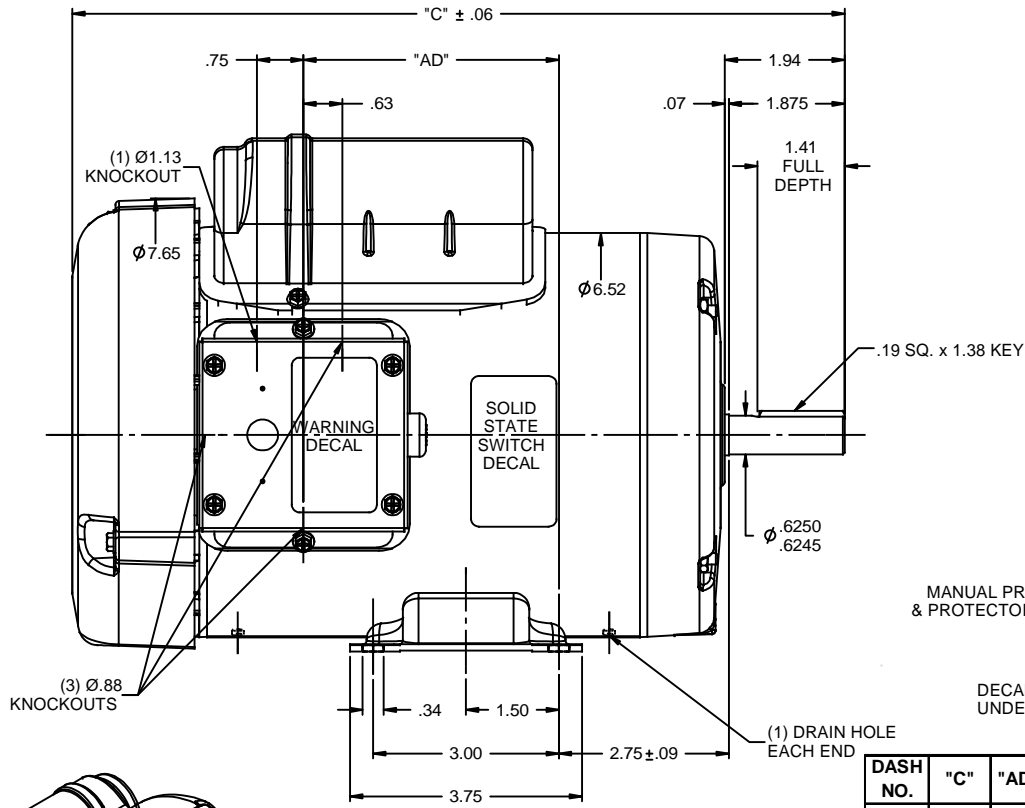


### Nameplate Specifications

Output HP	1 Hp	Output KW	0.75 kW
Frequency	60 Hz	Voltage	115/208-230 V
Current	12.8/6.4 A	Speed	1725 rpm
Service Factor	1.15	Phase	1
Efficiency	75 %	Power Factor	68
Duty	Continuous	Insulation Class	B
Design Code	N	KVA Code	K
Frame	56	Enclosure	Totally Enclosed Fan Cooled
Thermal Protection	Manual	Ambient Temperature	40 °C
Drive End Bearing Size	6203	Opp Drive End Bearing Size	6203
UL	Recognized	CSA	Y
CE	N	IP Code	43
Number of Speeds	1		

### Technical Specifications

Electrical Type	Capacitor Start Induction Run	Starting Method	Across The Line
Poles	4	Rotation	Selective Counterclockwise
Resistance Main	1.9 Ohms	Mounting	Rigid Base
Motor Orientation	Horizontal	Drive End Bearing	Ball
Opp Drive End Bearing	Ball	Frame Material	Rolled Steel
Shaft Type	NEMA 56	Overall Length	11.74 in
Frame Length	6.25 in	Shaft Diameter	0.625 in
Shaft Extension	1.88 in	Assembly/Box Mounting	F1 ONLY
Outline Drawing	028941-625	Connection Drawing	005291.04

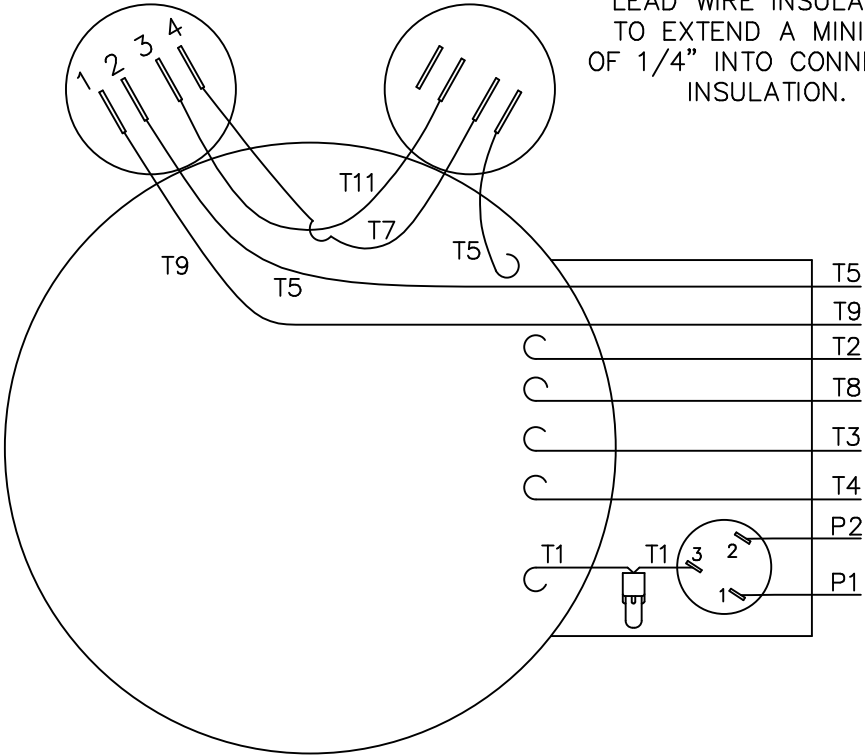


DASH NO.	"C"	"AD"	CAP DASH	"XO"
550	10.99	2.63		
575	11.24	2.88		
600	11.49	3.13		
625	11.74	3.38		
650	11.99	3.63		
700	12.49	4.13	A	1.15
750	12.99	4.63	B	1.60
800	13.49	5.13	C	1.82

- NOTES:  
 1) MANUAL OVERLOAD PROTECTOR.  
 2) GASKETS THROUGHOUT.  
 3) DRAIN HOLE IN FRAME (BOTH ENDS).

		TOLERANCES UNLESS SPECIFIED:		<b>ELECTRIC MOTORS GEARMOTORS AND DRIVES</b>	DRAWN DJ 01/07/09
		DEC	INCHES		CHK RVD 01/07/09
		X	±.1		APPR
		.XX	±.03		SCALE 1:2
		.XXX	±.005	TITLE OUTLINE - 56 FRAME	REF OL114932
		.XXXI	±.0005	TEFC RIGID - INSTANT REVERSING	FMF 114932.00
		XXXI	±.0005	MATL	PAGE OF
NO	REVISION	BY & DATE	CHK ANG ±1/2°	FINISH	SIZE OF
	THIRD ANGLE PROJECTION		RFP	PREV	DRAWING NO
			NETWORK FILE NAME 028941		<b>B</b> <b>028941</b>

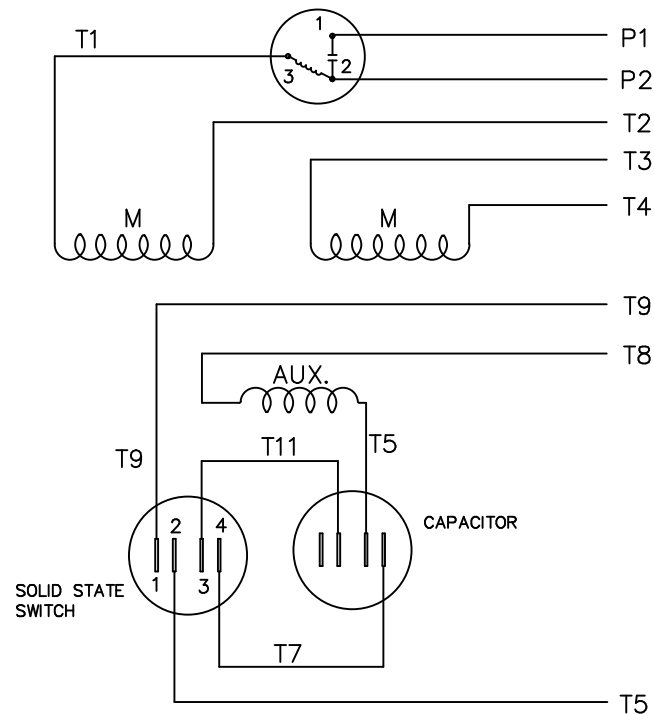
SOLID STATE SWITCH      CAPACITOR



VIEW FROM OUTSIDE OF MOTOR AT SWITCH END.

TYPE "C"  
W/PROTECTOR  
DECAL 080640

LINE LEADS



ROTATION FACING LEAD END		L1	L2	JOIN	INSULATE SEPARATELY
HIGH VOLT	C.C.W. ROT.	P1	T4 T5	T2,T3 T8,T9	P2
	C.W. ROT.	P1	T4 T8,T9	T2,T3 T5	P2
LOW VOLT	C.C.W. ROT.	P1	T2,T4 T5	P2,T3 T8,T9	---
	C.W. ROT.	P1	T2,T4 T8,T9	P2,T3 T5	---

				TOLERANCES UNLESS OTHERWISE SPECIFIED		<b>LEESON</b> ELECTRIC CORPORATION					
				DECIMALS							
				.00	± .01	DRAWN PJM 09-05-96	TITLE EXTERNAL WIRING DIAGRAM DUAL VOLTAGE - INSTANT REVERSING MAT'L. SOLID STATE SWITCH				
				.000	± .005	CH'K'D.					
				.0000	± .0005	APPR.					
NO.	REVISION	BY	DATE	FRACTIONS	± 1/64	SCALE	1=2				
THIS DRAWING IN DESIGN AND DETAIL IS OUR PROPERTY AND MUST NOT BE USED EXCEPT IN CONNECTION WITH OUR WORK ALL RIGHTS OF DESIGN AND INVENTION ARE RESERVED				ANGLES	± 1/2'	REF.	PG.03	FINISH	LEESON	SIZE	DRAWING NO.
				INCH/MM		FMF	114933	STOCK	A	005291 PG.04	



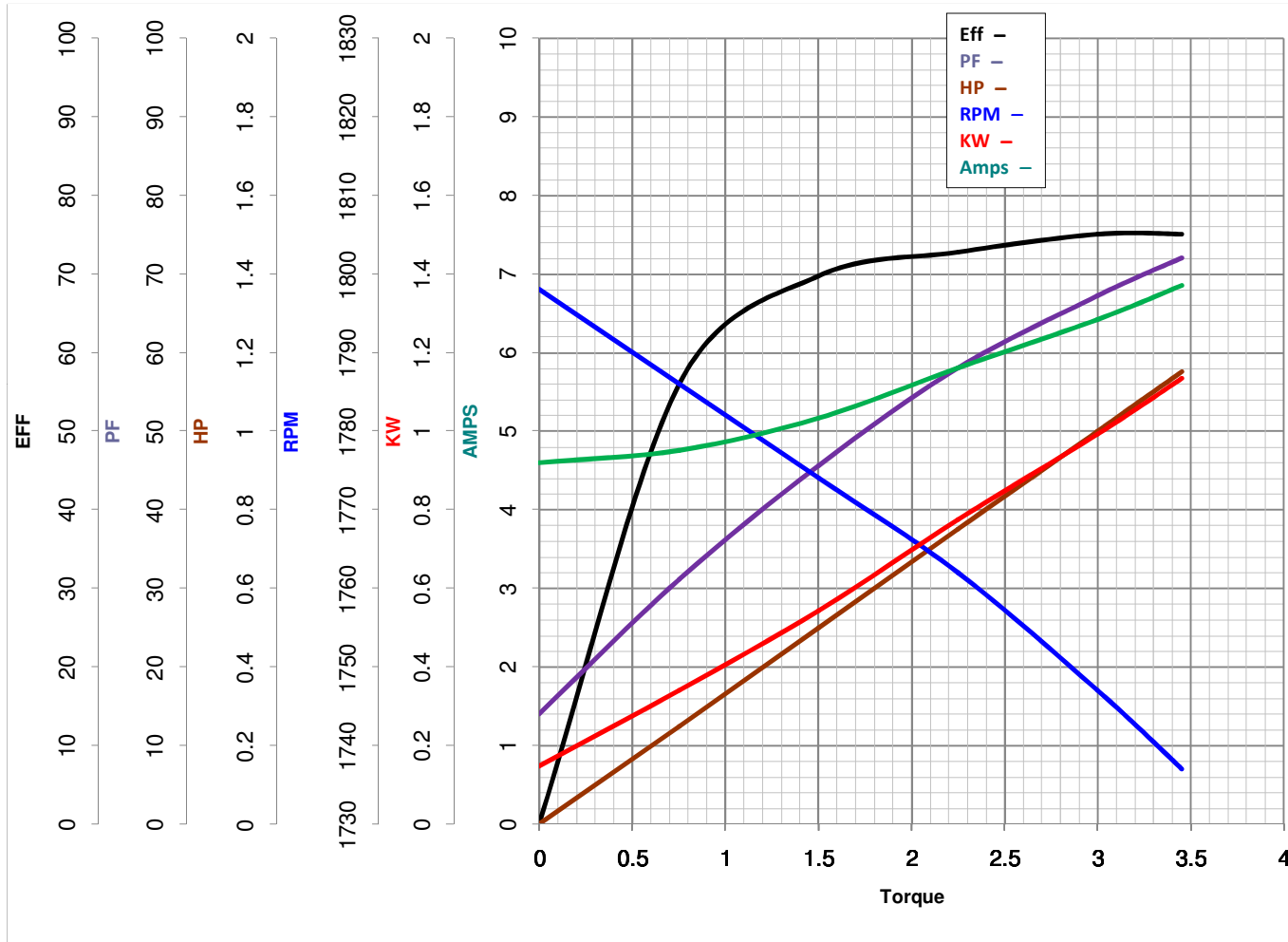
**LEESON ELECTRIC CORPORATION**  
 TYPICAL PERFORMANCE CURVE for AC MOTOR

Model No 114933.00

Curve at 230 Volts HP 1.00 PHASE 1  
60 HZ  
1 HP VOLTS 115/208-230

Catalog No 114933.00

HZ 60 RPM 1725



Torque in Lb.Ft

FL TORQUE 3 Lb.Ft  
 BD TORQUE 7.0 Lb.Ft  
 LR TORQUE 19 Lb.Ft

FL AMPS 12.8/6.4  
 PU TORQUE 6.7 Lb.Ft  
 LR AMPS 33

WINDING C634256-3

Date 3/23/2018