

# PRODUCT INFORMATION PACKET

Model No: 056T17V99002  
Catalog No: N375  
3/4,1800,TENV.56C,3/60/208-230/460V  
Washdown Duty



Regal and Marathon are trademarks of Regal Beloit Corporation or one of its affiliated companies.  
©2018 Regal Beloit Corporation, All Rights Reserved. MC017097E





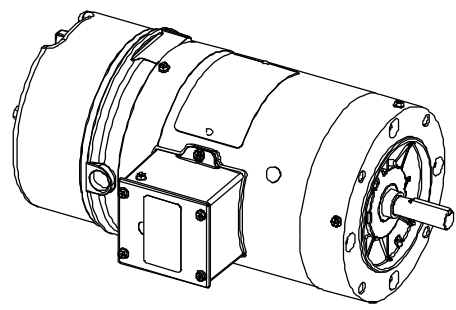
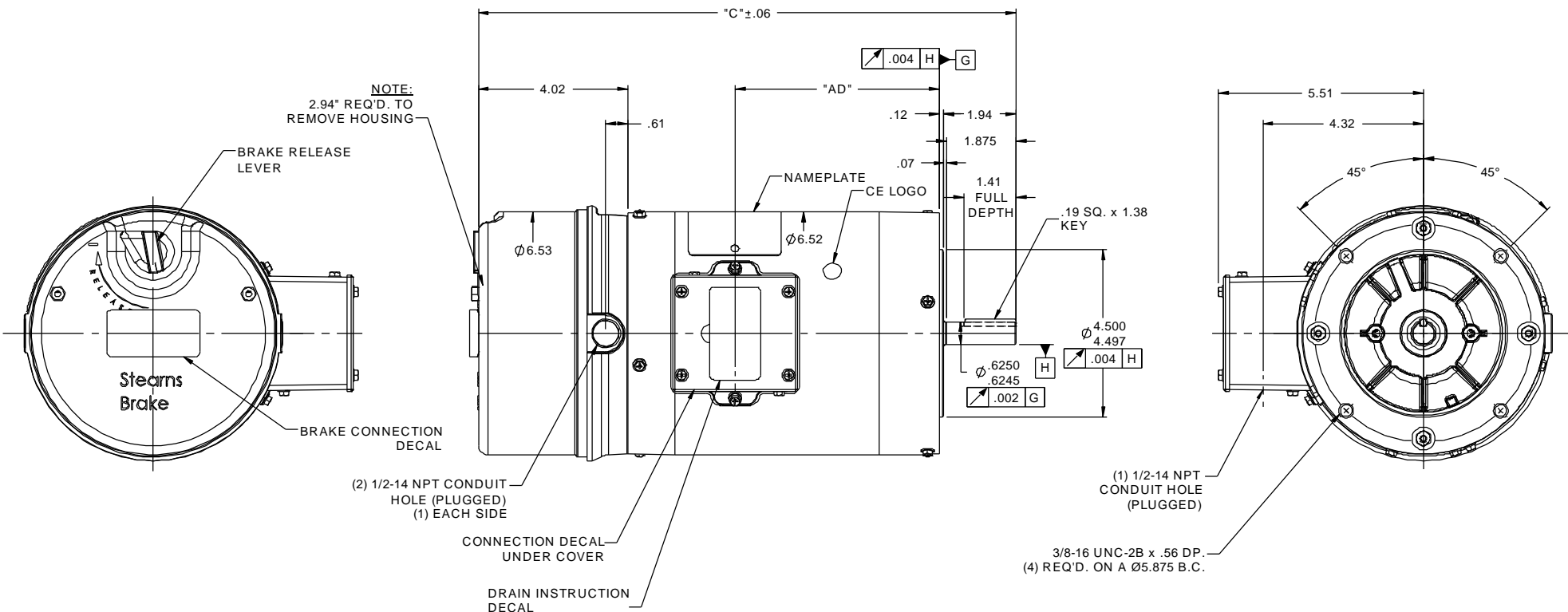
### Nameplate Specifications

Output HP	<b>0.75 Hp</b>	Output KW	<b>0.56 kW</b>
Frequency	<b>60 Hz</b>	Voltage	<b>208-230/460 V</b>
Current	<b>2.7-2.5/1.3 A</b>	Speed	<b>1725 rpm</b>
Service Factor	<b>1.15</b>	Phase	<b>3</b>
Efficiency	<b>80 %</b>	Duty	<b>Continuous</b>
Insulation Class	<b>F</b>	Design Code	<b>B</b>
KVA Code	<b>L</b>	Frame	<b>56C</b>
Enclosure	<b>Totally Enclosed Non Ventilated</b>	Overload Protector	<b>No</b>
Ambient Temperature	<b>40 °C</b>	Drive End Bearing Size	<b>6205</b>
Opp Drive End Bearing Size	<b>6203</b>	UL	<b>Recognized</b>
CSA	<b>Y</b>	CE	<b>Y</b>
IP Code	<b>55</b>		

### Technical Specifications

Electrical Type	<b>Squirrel Cage Induction Run</b>	Starting Method	<b>Across The Line</b>
Poles	<b>4</b>	Rotation	<b>Reversible</b>
Mounting	<b>Round</b>	Motor Orientation	<b>Horizontal</b>
Drive End Bearing	<b>Ball</b>	Opp Drive End Bearing	<b>Ball</b>
Frame Material	<b>Rolled Steel</b>	Shaft Type	<b>NEMA 56</b>
Overall Length	<b>15 in</b>	Frame Length	<b>6.00 in</b>
Shaft Diameter	<b>0.625 in</b>	Shaft Extension	<b>1.94 in</b>
Assembly/Box Mounting	<b>F1 Only</b>		
Outline Drawing	<b>607-0144-600</b>	Connection Diagram	<b>005010.15ME</b>

This is an uncontrolled document once printed or downloaded and is subject to change without notice. Date Created: 06/28/2018



**WASHGUARD FEATURES:**

- 1) SHAFT SEAL & V-RING
- 2) PLUGGED DRAIN HOLES IN ENDBELLS & CONDUIT BOX
- 3) STAINLESS STEEL SHAFT, HARDWARE, & NAMEPLATE
- 4) GASKETS THROUGHOUT

DASH NO.	"C"	"AD"
500	14.00	5.01
550	14.50	5.51
600	15.00	6.01
650	15.50	6.51

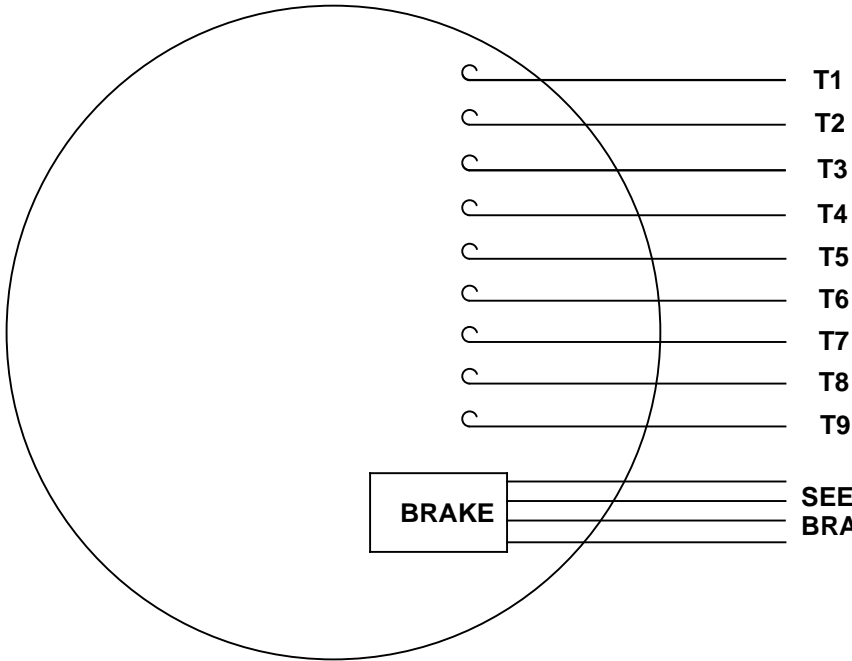
NO		REVISION	BY & DATE	CHK	LANG	±1/2°	FINISH	DRAWING NO		REV
								B		
								607-0144		

TOLERANCES UNLESS SPECIFIED		TITLE	DRAWN
DEC	INCHES		
X	±.1	OUTLINE - 56C FRAME TENV - ROUND "C" FACE - BRAKEMOTOR	PVR 12/31/12
XX	±.03		CHK JD 12/31/12
XXX	±.005		APPR
XXXX	±.0005		SCALE 3:8
		MAT'L	REF 028577.00
			FMF 056T17V99003
			PAGE OF



VIEW FROM OUTSIDE OF MOTOR AT SWITCH END.

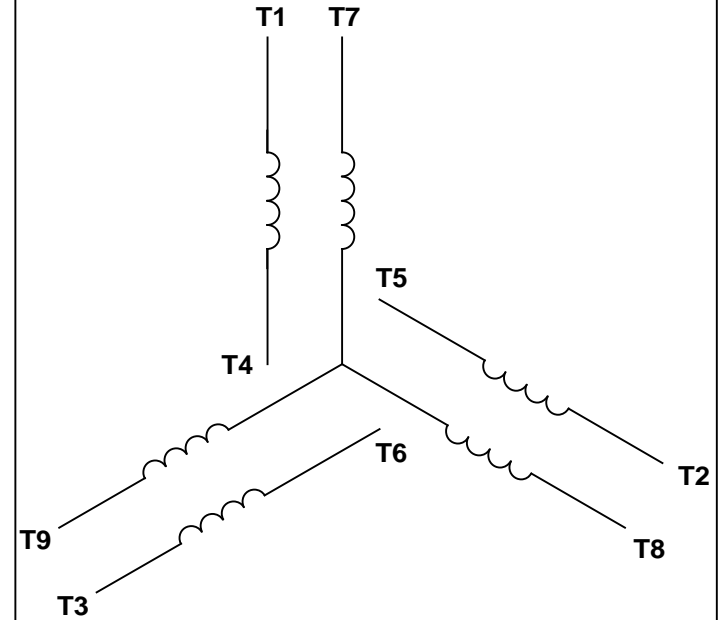


T1  
T2  
T3  
T4  
T5  
T6  
T7  
T8  
T9

**BRAKE**

**SEE TABLE FOR  
BRAKE CONNECTIONS**

**LINE LEADS**



VOLTAGE	L1	L2	L3	JOIN & INSULATE
HIGH	T1	T2	T3	(T4, T7) (T5, T8) (T6, T9)
LOW	T1, T7	T2, T8	T3, T9	T4, T5, T6

**BRAKE CONNECTION**

VOLTAGE	STERNS BRAKE			DINGS BRAKE		
	L1	L2	Join	L1	L2	Join
HIGH	1(RE D)	2(RE D)	3(BLACK) 4(BLACK)	2(BLACK)	4(YELLOW)	1(YELLOW) 3(BLACK)
LOW	1(RE D) 3(BLACK)	2(RE D) 4(BLACK)	-----	2(BLACK) 3(BLACK)	1(YELLOW) 4(YELLOW)	-----

**RBC PROPRIETARY AND CONFIDENTIAL INFORMATION**

This document is the property of REGAL BELOIT CORPORATION ("RBC") including its subsidiaries and divisions and contains proprietary information of RBC. This document is loaned on the express condition that neither it nor the information contained therein shall be disclosed to others without the express written consent of RBC, and that the information shall be used by the recipient only as approved expressly by RBC. This document shall be returned to RBC upon its request. This document may be subject to certain restrictions under U.S. export control laws and regulations.

				TOLERANCES UNLESS SPECIFIED				DRAWN MDN 03/26/03		
				DEC	INCHES			CHK	APPR	
				.X	±.1			SCALE 1:1	REF	
				.XX	±.01			FMF	PAGE OF	
--	REDRAWN IN SOLIDWORKS	VJB 02/08/11		.XXX	±.0005	TITLE EXTERNAL WIRING DIAGRAM 3 PHASE W/O PROTECTOR		MAT'L MTR DECAL - 004014 BRAKE DECAL - 080034		
NO	REVISION	BY & DATE	CHK	ANG	±1/2°	FINISH		PAGE OF		
			RFP	PREV			SIZE	DRAWING NO		
			NETWORK FILE NAME 00501015ME				A	005010-15ME		REV
			THIRD ANGLE PROJECTION						--	

CERTIFICATION DATA SHEET

Model#: 56T17V99002 A WINDING#: T634245 NR 3  
 CONN. DIAGRAM: 005010.15ME ASSEMBLY: F1 ONLY  
 OUTLINE: 607-0144-600

TYPICAL MOTOR PERFORMANCE DATA

HP	KW	SYNC. RPM	F.L. RPM	FRAME	ENCLOSURE	KVA CODE	DESIGN
3/4&1/2	.56&.37	1800	1725&1425	56C	TENV	L	B

PH	Hz	VOLTS	FL AMPS	START TYPE	DUTY	INSL	S.F	AMB°C	ELEVATION
3	60/50	208- 230/460#190/ 380	2.7- 2.5/1.25&2.2/1 .1	ACROSS THE LINE	CONTINUOU S	F4	1.15/1.0	40	3300

FULL LOAD EFF: 80&80	3/4 LOAD EFF: 74.8	1/2 LOAD EFF: 70	GTD. EFF	ELEC. TYPE	NO LOAD AMPS
FULL LOAD PF: 70&65.6	3/4 LOAD PF: 65.5	1/2 LOAD PF: 54.4	0	SQ CAGE IND RUN	1.6 / .8

F.L. TORQUE	LOCKED ROTOR AMPS	L.R. TORQUE	B.D. TORQUE	F.L. RISE°C
27 LB-FT	16.8 / 8.4	80 LB-FT 296	106 LB-FT 393	0

SOUND PRESSURE @ 3 FT.	SOUND POWER	ROTOR WK^2	MAX. WK^2	SAFE STALL TIME	STARTS /HOUR	APPROX. MOTOR WGT
0 dBA	10 dBA	0.09 LB-FT^2	0 LB-FT^2	0 SEC.	0	0 LBS.

\*\*\* SUPPLEMENTAL INFORMATION \*\*\*

DE BRACKET TYPE	ODE BRACKET TYPE	MOUNT TYPE	ORIENTATION	SEVERE DUTY	HAZARDOUS LOCATION	DRIP COVER	SCREENS	PAINT
C-FACE	BRAKE	ROUND	HORIZONTAL	FALSE	NONE	FALSE	NONE	WHITE - LEESON (EPOXY)

BEARINGS		GREASE	SHAFT TYPE	SPECIAL DE	SPECIAL ODE	SHAFT MATERIAL	FRAME MATERIAL
DE	OPE	POLYREX EM	STANDARD 56	NONE	NONE	303 STAINLESS (C-501)	ROLLED STEEL
BALL	BALL						
6205	6203						

THERMO-PROTECTORS				THERMISTORS	CONTROL	SPACE /n HEATERS
THERMOSTATS	PROTECTORS	WDG RTDs	BRG RTDs	NONE	FALSE	NONE VOLTS
NONE	NOT	NONE	NONE			

If Inverter equals NONE, contact factory for further information

\*  
N  
O  
T  
E  
S  
\*

INVERTER TORQUE: NONE
INV. HP SPEED RANGE: NONE
ENCODER: NONE
NONE NONE
NONE NONE PPR
BRAKE: NONE NONE
STEARNS P/N 4225.8
56,000 NEMA 4
6 FT-LB 230/460-190/380 V 60/50 Hz

DATE: 06/29/2017 01:47:07 AM

FORM 3531 REV.3 02/07/99

\*\* Subject to change without notice.