

# PRODUCT INFORMATION PACKET

Model No: 056T34F5321  
Catalog No: P102  
1/2,3450,TEFC,56C,3/60/208-230/460  
Three Phase



Regal and Marathon are trademarks of Regal Beloit Corporation or one of its affiliated companies.  
©2018 Regal Beloit Corporation, All Rights Reserved. MC017097E



### Nameplate Specifications

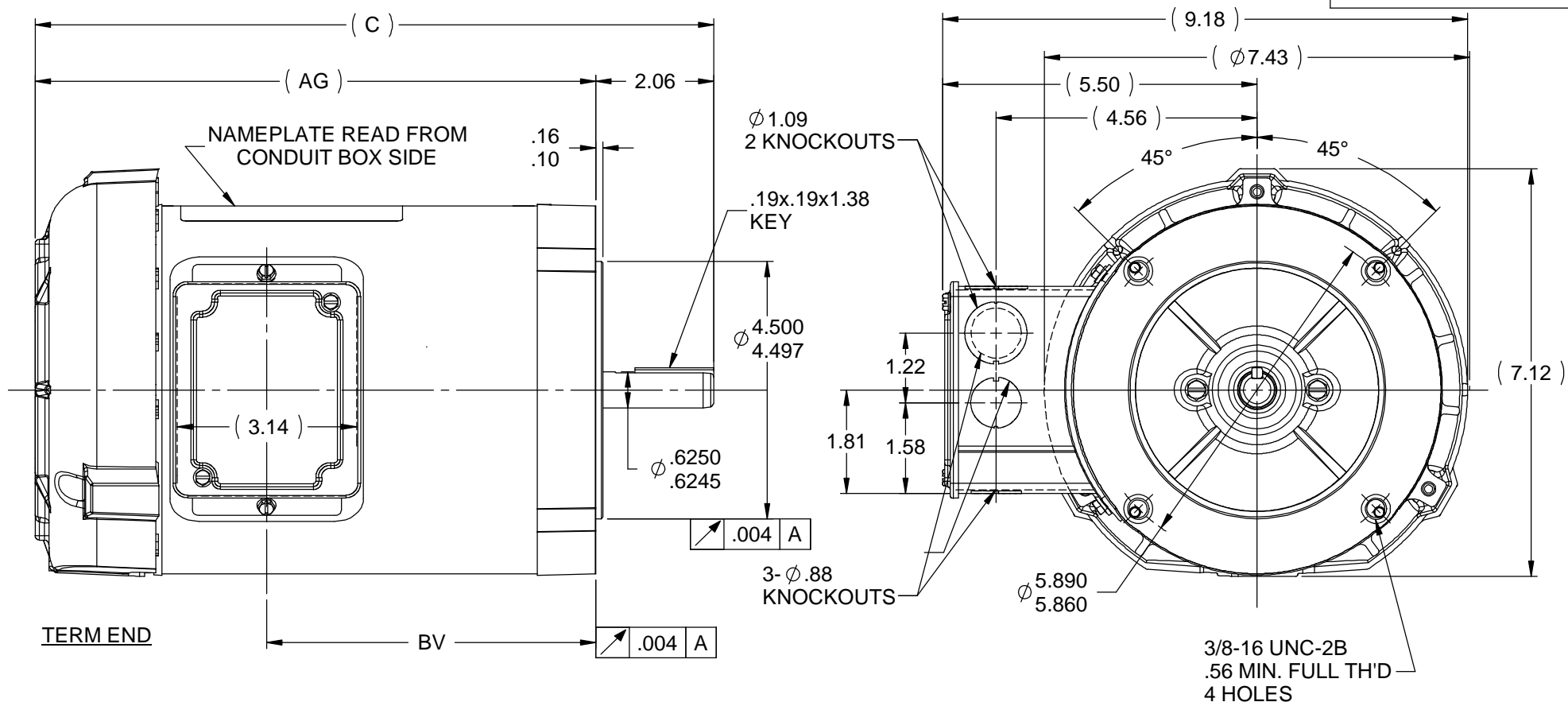
|                            |                                    |                        |                      |
|----------------------------|------------------------------------|------------------------|----------------------|
| Output HP                  | <b>0.50 Hp</b>                     | Output KW              | <b>0.37 kW</b>       |
| Frequency                  | <b>60 Hz</b>                       | Voltage                | <b>208-230/460 V</b> |
| Current                    | <b>2.1-2.2/1.1 A</b>               | Speed                  | <b>3450 rpm</b>      |
| Service Factor             | <b>1.15</b>                        | Phase                  | <b>3</b>             |
| Efficiency                 | <b>66 %</b>                        | Duty                   | <b>Continuous</b>    |
| Insulation Class           | <b>B</b>                           | Design Code            | <b>B</b>             |
| KVA Code                   | <b>P</b>                           | Frame                  | <b>56C</b>           |
| Enclosure                  | <b>Totally Enclosed Fan Cooled</b> | Overload Protector     | <b>No</b>            |
| Ambient Temperature        | <b>40 °C</b>                       | Drive End Bearing Size | <b>6203</b>          |
| Opp Drive End Bearing Size | <b>6203</b>                        | UL                     | <b>Recognized</b>    |
| CSA                        | <b>Y</b>                           | CE                     | <b>Y</b>             |
| IP Code                    | <b>43</b>                          |                        |                      |

### Technical Specifications

|                       |                                    |                       |                        |
|-----------------------|------------------------------------|-----------------------|------------------------|
| Electrical Type       | <b>Squirrel Cage Induction Run</b> | Starting Method       | <b>Across The Line</b> |
| Poles                 | <b>2</b>                           | Rotation              | <b>Reversible</b>      |
| Mounting              | <b>Round</b>                       | Motor Orientation     | <b>Horizontal</b>      |
| Drive End Bearing     | <b>Ball</b>                        | Opp Drive End Bearing | <b>Ball</b>            |
| Frame Material        | <b>Rolled Steel</b>                | Shaft Type            | <b>NEMA 56</b>         |
| Overall Length        | <b>11.82 in</b>                    | Frame Length          | <b>6.56 in</b>         |
| Shaft Diameter        | <b>0.625 in</b>                    | Shaft Extension       | <b>2.06 in</b>         |
| Assembly/Box Mounting | <b>F1 Only</b>                     |                       |                        |
| Outline Drawing       | <b>A-100103-656</b>                | Connection Diagram    | <b>A-EE7308</b>        |

This is an uncontrolled document once printed or downloaded and is subject to change without notice. Date Created: 06/28/2018

100103



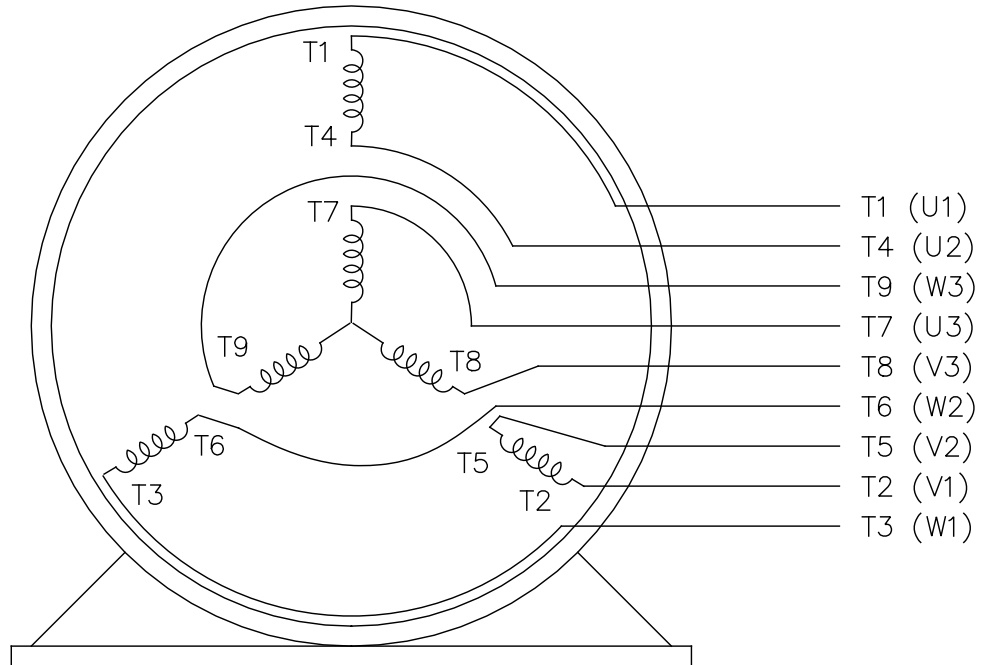
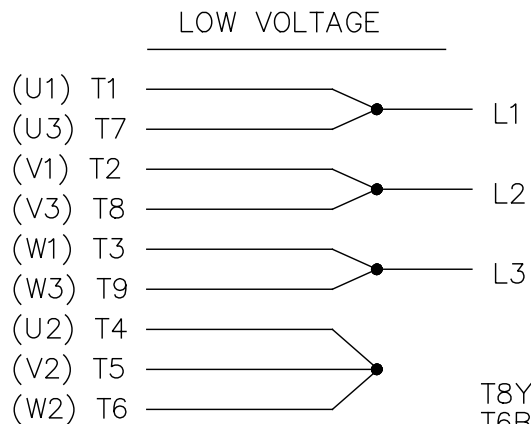
| DASH | FRAME | C     | AG    | BV   | DASH | FRAME | C     | AG    | BV   |
|------|-------|-------|-------|------|------|-------|-------|-------|------|
| 606  | 56-60 | 11.32 | 9.25  | 5.31 | 806  | 56-60 | 13.32 | 11.25 | 7.31 |
| 656  | " -65 | 11.82 | 9.75  | 5.81 | 856  | " -65 | 13.82 | 11.75 | 7.81 |
| 706  | " -70 | 12.32 | 10.25 | 6.31 | 906  | " -70 | 14.32 | 12.25 | 8.31 |
| 756  | " -75 | 12.82 | 10.75 | 6.81 | 956  | " -75 | 14.82 | 12.75 | 8.81 |

NOTE:  
CONDUIT BOX CAN BE ROTATED 180°

|   |                      | TOLERANCES UNLESS SPECIFIED |          | MARATHON ELECTRIC |                         | DRAWN GK 02-10-1988 |                   |
|---|----------------------|-----------------------------|----------|-------------------|-------------------------|---------------------|-------------------|
|   |                      | DEC                         | INCHES   |                   |                         | CHK TH 04-20-1993   |                   |
|   |                      | .X                          | $\pm$ .1 |                   |                         | APPR MJ 04-20-1993  |                   |
| 5   | REDRAWN IN SOIDWORKS | TAT 06-02-2005              | ML .XX   | $\pm$ .03         | TITLE                   | SCALE 3:8           |                   |
| 4   | REDRAWN IN AUTOCAD   | TAT 06-29-2004              | ML .XXX  | $\pm$ .005        | OUTLINE                 | REF                 |                   |
| 3   | REDRAWN ON CADD      | GK 02-10-1988               | .XXXX    | $\pm$ .0005       | 56 FR. - TEFC - C' FACE | FMF                 |                   |
| NO  | REVISION             | BY & DATE                   | CHK ANG  | $\pm$ 7'30"       | MAT'L                   | PREV                |                   |
| THIS DRAWING IN DESIGN AND DETAIL IS OUR PROPERTY AND MUST NOT BE USED EXCEPT IN CONNECTION WITH OUR WORK. ALL RIGHTS OF DESIGN AND INVENTION ARE RESERVED. |                      |                             |          | RFP               | CAD FILE 100103_XX      | SIZE A              | DRAWING NO 100103 |
|   |                      |                             |          |                   |                         | REV 5               |                   |

EE7308

THREE PHASE  
DUAL VOLTAGE MOTOR



VIEW OF TERMINAL END

REF.  
WINDING DIAGRAM

T8Y, T2Y, T2BL, T4BX, T2EC, T2G  
T6BZ, T2B, T6BL, T4AV, T6B, T4B

OPTIONAL CORD  
CONNECTION

L1 — WHITE  
L2 — RED  
L3 — BLACK

| NO.  | REVISION                                       | BY & DATE      | CHK | ANG   | TOLERANCES<br>UNLESS SPECIFIED | FINISH             | PREV |
|--|--|----------------|-----|-------|--------------------------------|--------------------|------|
| 5  | CHG TO REGAL LOGO                              | SL 09/10/2015  | AB  | DEC.  | INCHES                         |                    |      |
| 4  | REVISED IEC NOTATIONS                          | MSG 11/15/2011 | CMN | .X    | ±.1                            |                    |      |
| 3  | ADDED IEC NOTATIONS... (U1), (V1) ETC. MU95194 | MSG 5/10/2010  | MJS | .XX   | ±.02                           |                    |      |
| 2  | ADDED THE OPTIONAL CORD CONNECTION MU46318     | RDH 04/24/2003 | DRS | .XXX  | ±.005                          |                    |      |
| 1  | REDRAWN  | RM 11/20/1990  |     | .XXXX | ±.0005                         |                    |      |
|  |  |                |     |       | ±7'30"                         |                    |      |
| THIS DRAWING IN DESIGN AND DETAIL IS OUR PROPERTY AND MUST NOT BE USED EXCEPT IN CONNECTION WITH OUR WORK ALL RIGHTS OF DESIGN AND INVENTION ARE RESERVED THIS IS AN ELECTRONICALLY GENERATED DOCUMENT - DO NOT SCALE THIS PRINT |  |                |     |       |                                | RFP                |      |
|  |  |                |     |       |                                | DIST WP            |      |
|  |  |                |     |       |                                | CAD FILE ee7308    |      |
|  |  |                |     |       |                                | SIZE A             |      |
|  |  |                |     |       |                                | DRAWING NO. EE7308 |      |
|  |  |                |     |       |                                | PAGE OF 5          |      |
|  |  |                |     |       |                                | REV. 5             |      |

**REGAL**™ Regal Beloit America, Inc. DRAWN RM 11/20/1990  
CHK ML 11/21/1990  
APPD SAS 04/24/2003

TITLE CONNECTION DIAGRAM  
3Ø - DUAL VOLTAGE MOTOR SCALE 1=1  
REF

MAT'L. FMF

**CERTIFICATION DATA SHEET**

**Model#:** 56T34F5321 E      **WINDING#:** ZT206 FR 3  
**CONN. DIAGRAM:** A-EE7308      **ASSEMBLY:** F1 ONLY  
**OUTLINE:** A-100103-656

**TYPICAL MOTOR PERFORMANCE DATA**

| HP      | KW       | SYNC. RPM | F.L. RPM  | FRAME | ENCLOSURE | KVA CODE | DESIGN |
|---------|----------|-----------|-----------|-------|-----------|----------|--------|
| 1/2&1/3 | .37&0.25 | 3600      | 3450&2850 | 56C   | TEFC      | P        | B      |

| PH | Hz    | VOLTS                       | FL AMPS                     | START TYPE         | DUTY       | INSL | S.F       | AMB°C | ELEVATION |
|----|-------|-----------------------------|-----------------------------|--------------------|------------|------|-----------|-------|-----------|
| 3  | 60/50 | 208-<br>230/460#190/<br>380 | 2.1-<br>2.2/1.1&2.0/1.<br>0 | ACROSS THE<br>LINE | CONTINUOUS | B3   | 1.15/1.15 | 40    | 3300      |

| FULL LOAD EFF: | 3/4 LOAD EFF: | 1/2 LOAD EFF: | GTD. EFF | ELEC. TYPE      | NO LOAD AMPS |
|----------------|---------------|---------------|----------|-----------------|--------------|
| 66&62          | 64.5          | 56.5          |          |                 |              |
| FULL LOAD PF:  | 3/4 LOAD PF:  | 1/2 LOAD PF:  | 62       | SQ CAGE IND RUN | 1.4 / .7     |
| 69.7&66        | 63.5          | 53            |          |                 |              |

| F.L. TORQUE | LOCKED ROTOR AMPS | L.R. TORQUE | B.D. TORQUE   | F.L. RISE°C |
|-------------|-------------------|-------------|---------------|-------------|
| 0.76 LB-FT  | 16 / 8            | 3 LB-FT 395 | 3.8 LB-FT 500 | 35          |

| SOUND PRESSURE<br>@ 3 FT. | SOUND POWER | ROTOR WK^2   | MAX. WK^2   | SAFE STALL TIME | STARTS<br>/HOUR | APPROX. MOTOR<br>WGT |
|---------------------------|-------------|--------------|-------------|-----------------|-----------------|----------------------|
| 68 dBA                    | 78 dBA      | 0.02 LB-FT^2 | 1.5 LB-FT^2 | 10 SEC.         | 2               | 22 LBS.              |

**\*\*\* SUPPLEMENTAL INFORMATION \*\*\***

| DE BRACKET<br>TYPE | ODE BRACKET<br>TYPE | MOUNT<br>TYPE | ORIENTATION | SEVERE<br>DUTY | HAZARDOUS<br>LOCATION | DRIP<br>COVER | SCREENS | PAINT            |
|--------------------|---------------------|---------------|-------------|----------------|-----------------------|---------------|---------|------------------|
| C-FACE             | BRAKE               | ROUND         | HORIZONTAL  | FALSE          | NONE                  | FALSE         | NONE    | GRAY<br>(POWDER) |

| BEARINGS |      | GREASE     | SHAFT TYPE  | SPECIAL DE | SPECIAL ODE | SHAFT<br>MATERIAL              | FRAME<br>MATERIAL |
|----------|------|------------|-------------|------------|-------------|--------------------------------|-------------------|
| DE       | OPE  |            |             |            |             |                                |                   |
| BALL     | BALL | POLYREX EM | STANDARD 56 | NONE       | NONE        | 1144<br>STRESSPROOF<br>(C-223) | ROLLED STEEL      |
| 6203     | 6203 |            |             |            |             |                                |                   |

| THERMO-PROTECTORS |            |          |          | THERMISTORS | CONTROL | SPACE /n HEATERS |
|-------------------|------------|----------|----------|-------------|---------|------------------|
| THERMOSTATS       | PROTECTORS | WDG RTDs | BRG RTDs |             |         |                  |
| NONE              | NOT        | NONE     | NONE     | NONE        | FALSE   | NONE VOLTS       |

*If Inverter equals NONE, contact factory for further information*

\*  
N  
O  
T  
E  
S  
\*

|                                |
|--------------------------------|
| INVERTER TORQUE: NONE          |
| INV. HP SPEED RANGE: NONE      |
| ENCODER: NONE                  |
| NONE NONE                      |
| NONE NONE PPR                  |
| BRAKE: PROVISIONS FOR KIT NONE |
| NONE P/N NONE                  |
| NONE NONE                      |
| NONE FT-LB NONE V NONE Hz      |

\*\* Subject to change without notice.