

# PRODUCT INFORMATION PACKET

Model No: 056B17F5584  
Catalog No: F135  
1 1/2, 1725, TEFC, 56HC, 1/60/115/208-230  
Single Phase



Regal and Marathon are trademarks of Regal Beloit Corporation or one of its affiliated companies.  
©2018 Regal Beloit Corporation, All Rights Reserved. MC017097E





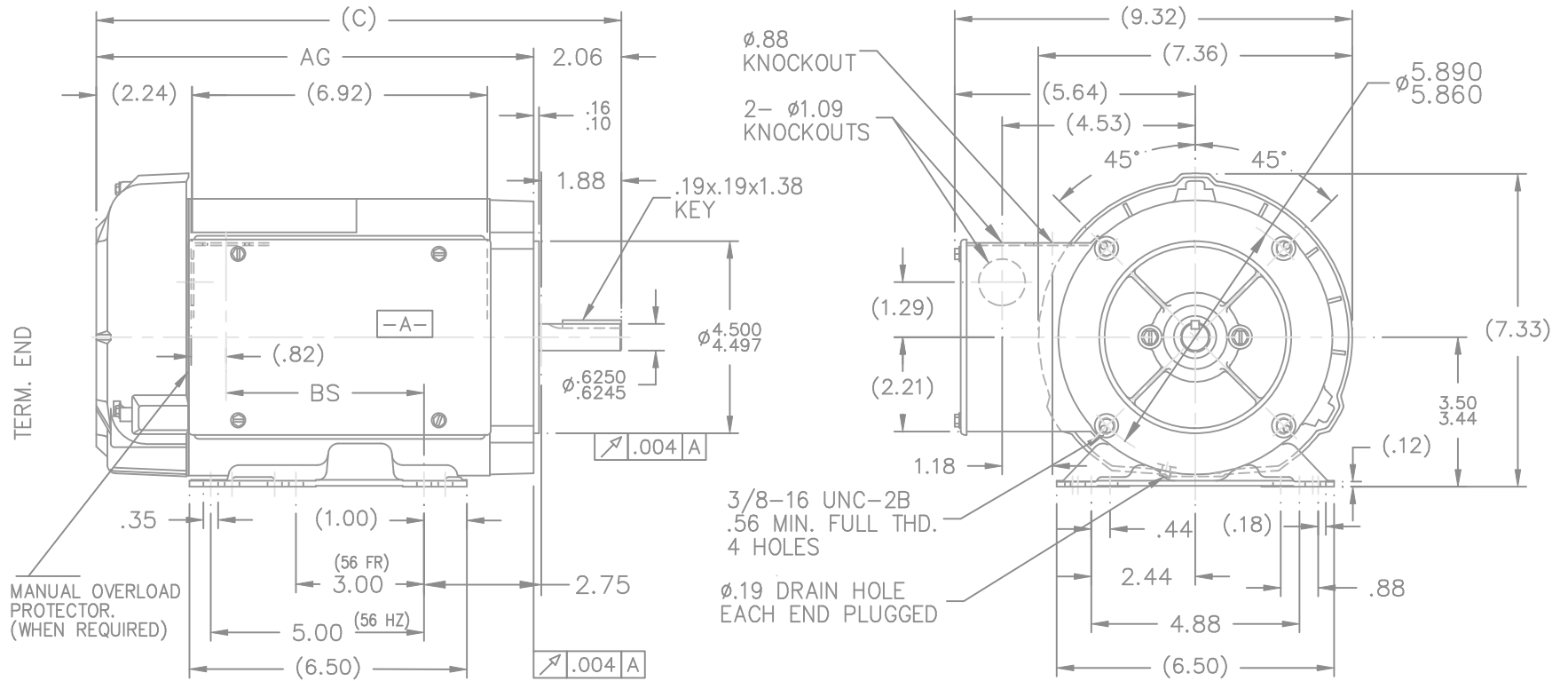
### Nameplate Specifications

Output HP	<b>1.50 Hp</b>	Output KW	<b>1.1 kW</b>
Frequency	<b>60 Hz</b>	Voltage	<b>115/208-230 V</b>
Current	<b>15.2/8.2-7.6 A</b>	Speed	<b>1725 rpm</b>
Service Factor	<b>1.15</b>	Phase	<b>1</b>
Efficiency	<b>80 %</b>	Duty	<b>Continuous</b>
Insulation Class	<b>B</b>	Design Code	<b>N</b>
KVA Code	<b>J</b>	Frame	<b>56HC</b>
Enclosure	<b>Totally Enclosed Fan Cooled</b>	Overload Protector	<b>Manual</b>
Ambient Temperature	<b>40 °C</b>	Drive End Bearing Size	<b>6203</b>
Opp Drive End Bearing Size	<b>6203</b>	UL	<b>Recognized ( Not Protector)</b>
CSA	<b>Y</b>	CE	<b>Y</b>
IP Code	<b>43</b>		

### Technical Specifications

Electrical Type	<b>Capacitor Start Induction Run</b>	Starting Method	<b>Across The Line</b>
Poles	<b>4</b>	Rotation	<b>Selective Counterclockwise</b>
Mounting	<b>Rigid base</b>	Motor Orientation	<b>Horizontal</b>
Drive End Bearing	<b>Ball</b>	Opp Drive End Bearing	<b>Ball</b>
Frame Material	<b>Rolled Steel</b>	Shaft Type	<b>T</b>
Overall Length	<b>13.82 in</b>	Frame Length	<b>8.56 in</b>
Shaft Diameter	<b>0.625 in</b>	Shaft Extension	<b>2.06 in</b>
Assembly/Box Mounting	<b>F1 Only</b>		
Outline Drawing	<b>A-104450-856</b>	Connection Diagram	<b>102006-52</b>

This is an uncontrolled document once printed or downloaded and is subject to change without notice. Date Created: 06/28/2018

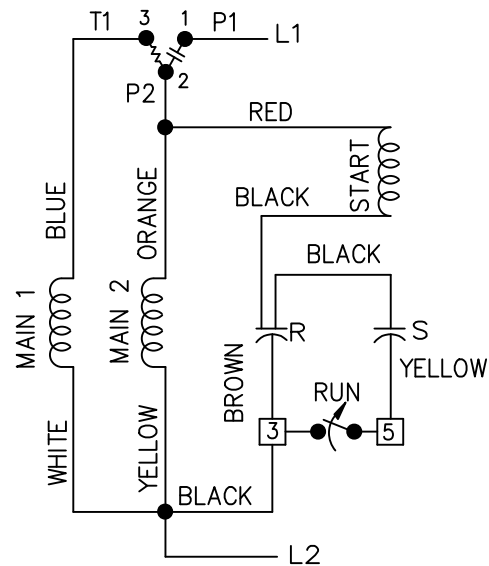


NOTE:  
1- NAMEPLATE READ FROM C'BOX SIDE.

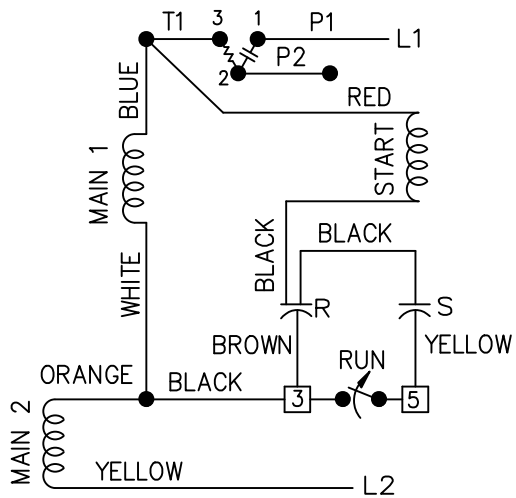
DASH	FRAME	C	AG	BS	DASH	FRAME	C	AG	BS
706	56-70	12.32	10.25	4.64	856	56-85	13.82	11.75	6.14
756	56-75	12.82	10.75	5.14	956	56-95	14.82	12.75	7.14
806	56-80	13.32	11.25	5.64	1006	56-100	15.32	13.25	7.64

				TOLERANCES UNLESS SPECIFIED		MARATHON ELECTRIC	DRAWN MH 05-14-1998			
				DEC.	INCHES		CHK	ML 05-15-1998	APPD	DAR 05-18-1998
				.X	±.1	TITLE OUTLINE 56 FR. - TEFC - C'FACE - 1 $\phi$	SCALE 1=4			
2	ADDED NOTE SECTION	CN 24300-474	DRS	.XX	±.03		MAT'L.	REF		
1	NEW DRAWING	MU19807	MH 05-18-1998	.XXX	±.005	FINISH		FMF		
NO.	REVISION	BY & DATE	CHK	ANG	±7'30"		CAD FILE 104450	PREV		
THIS DRAWING IN DESIGN AND DETAIL IS OUR PROPERTY AND MUST NOT BE USED EXCEPT IN CONNECTION WITH OUR WORK ALL RIGHTS OF DESIGN AND INVENTION ARE RESERVED THIS IS AN ELECTRONICALLY GENERATED DOCUMENT - DO NOT SCALE THIS PRINT				RFP		SIZE		DRAWING NO.	PAGE	OF
				DIST	WP	A	104450			2

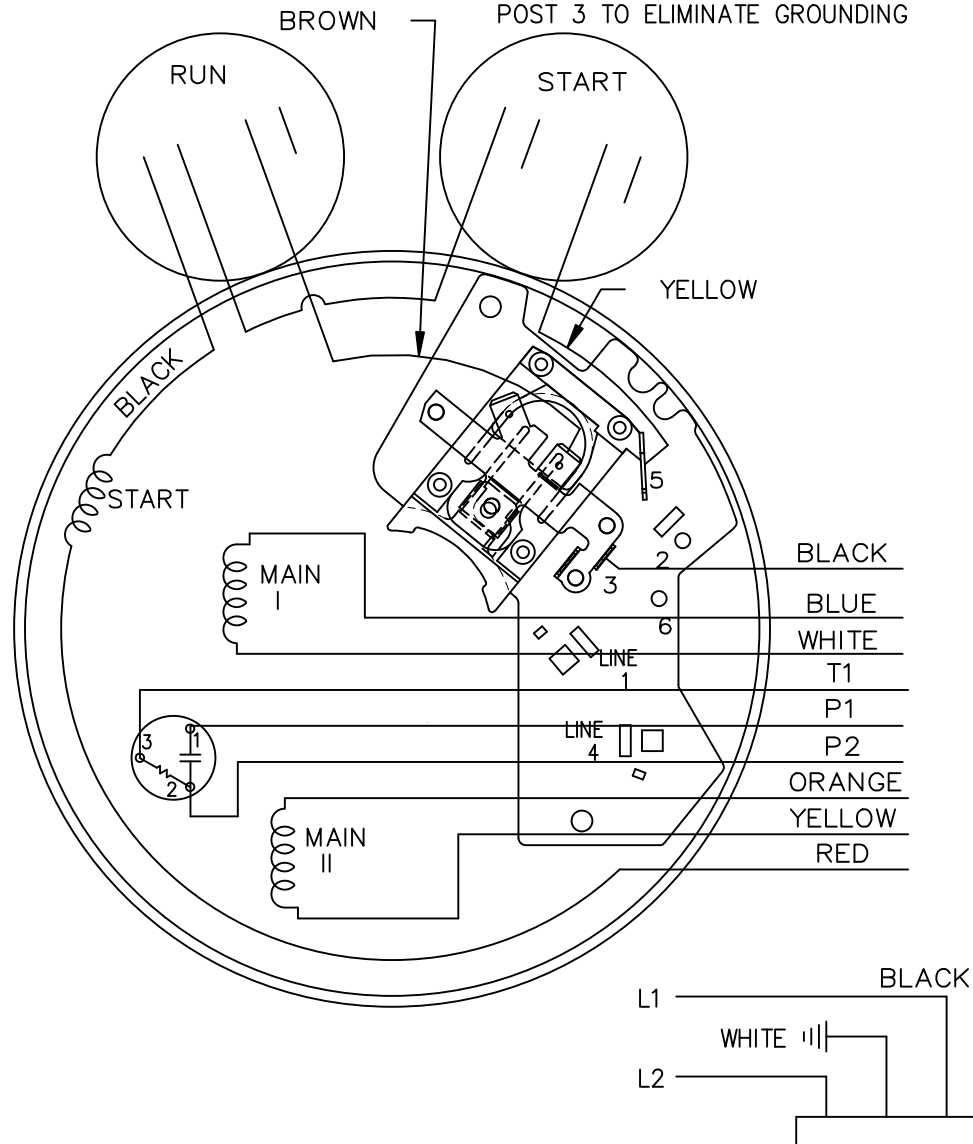
LOW VOLTAGE C.C.W.



HIGH VOLTAGE C.C.W.



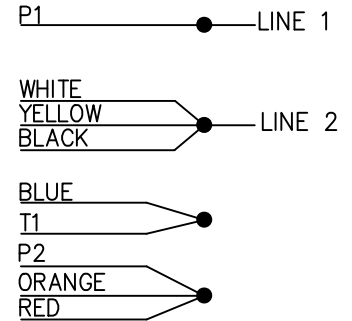
BROWN LEAD MAYBE CONNECTED ON POST 3 TO ELIMINATE GROUNDING



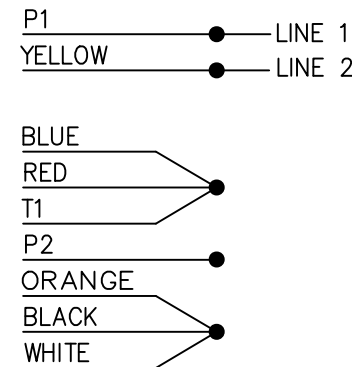
102006-52

DUAL VOLTAGE  
CAP START-CAP RUN  
OVERLOAD  
SELECT ROTATION

LOW VOLT. CCW ROT.



HIGH VOLT. CCW ROT.



FOR CW ROT. EITHER  
VOLTAGE INTERCHANGE  
RED WITH BLACK LEAD.

13	CHG'ED SWITCH TO OPEN WHEN RUNNING ISAAC 11-2715	KBB 06-23-2011	EH	TOLERANCES UNLESS SPECIFIED	
12	REMOVE 1,2,3 & 4 ON LOW & HIGH VOLT CN 31436	TJB 02-14-2002	DRS	DEC.	INCHES
11	REMOVE BRAKE VIEW CN 31436	TJB 01-30-2002	DRS	.X	±.1
10	ADDED BROW LEAD DETAIL NOTE CN 24300-323	BJW 02-28-2000		.XX	±.02
9	ADDED CORD VIEW MU20434	BLR 07-01-1998		.XXX	±.005
8	CAP LEAD COLORS REVISED CN 16210	AJS 08-29-1994		.XXXX	±.0005
NO.	REVISION	BY & DATE	CHK	ANG	±7'30"

	DRAWN ML 05-09-1992	
	CHK GK 05-09-1992	APPD FG 05-19-1992
TITLE CONNECTION DIAGRAM		SCALE 5=8
MAT'L.		REF
FINISH		FMF
		PREV

THIS DRAWING IN DESIGN AND DETAIL IS OUR PROPERTY AND MUST NOT BE USED EXCEPT IN CONNECTION WITH OUR WORK ALL RIGHTS OF DESIGN AND INVENTION ARE RESERVED THIS IS AN ELECTRONICALLY GENERATED DOCUMENT - DO NOT SCALE THIS PRINT

RFP	CAD FILE 102006-52	SIZE A	DRAWING NO. 102006-52	PAGE OF	REV. 13
DIST WP					

