

PRODUCT INFORMATION PACKET

Model No: 056C34D2118
Catalog No: J054
1/3,3450,DP,56J,1/60/115/208-230
Single Phase



Regal and Marathon are trademarks of Regal Beloit Corporation or one of its affiliated companies.
©2018 Regal Beloit Corporation, All Rights Reserved. MC017097E





Nameplate Specifications

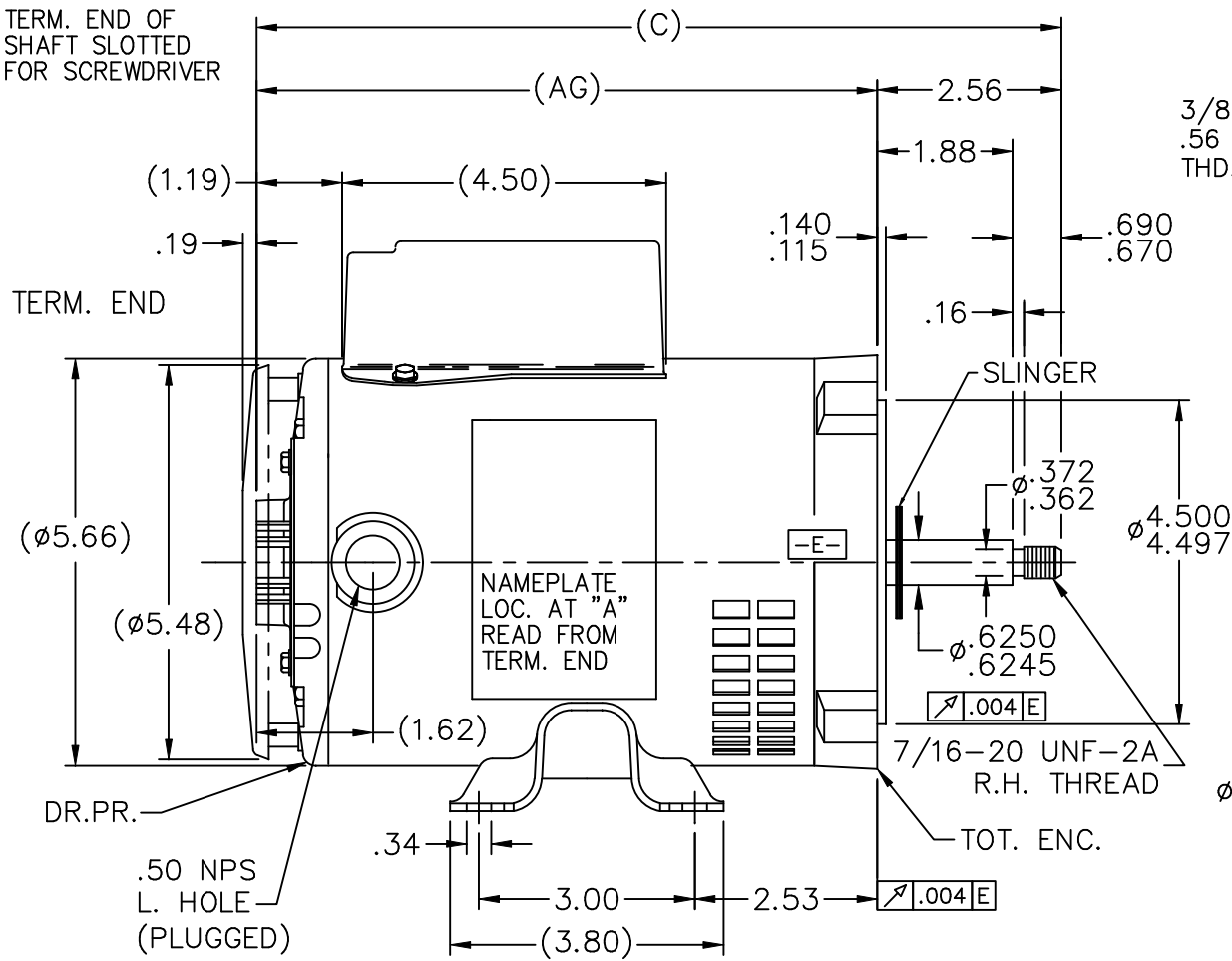
Output HP	0.33 Hp	Output KW	0.25 kW
Frequency	60 Hz	Voltage	115/208-230 V
Current	5.6/2.7-2.8 A	Speed	3450 rpm
Service Factor	1.75	Phase	1
Efficiency	64 %	Duty	Continuous
Insulation Class	B	Design Code	NO DESIGN CODE
KVA Code	L	Frame	56J
Enclosure	Drip Proof	Overload Protector	Automatic
Ambient Temperature	40 °C	Drive End Bearing Size	6203
Opp Drive End Bearing Size	6203	UL	Recognized
CSA	Y	CE	Y
IP Code	22		

Technical Specifications

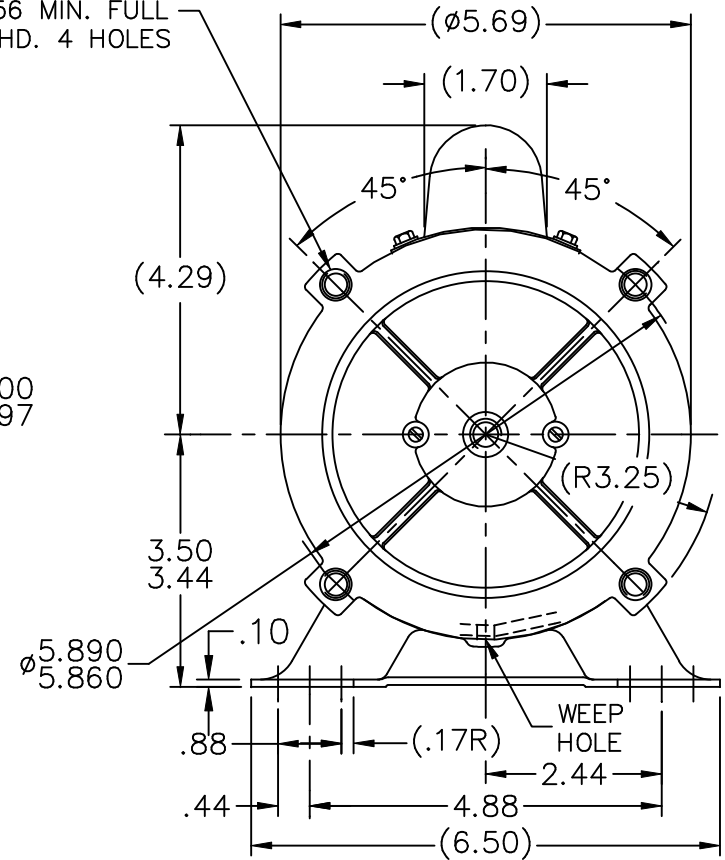
Electrical Type	Capacitor Start Induction Run	Starting Method	Across The Line
Poles	2	Rotation	Fixed Clockwise
Mounting	Rigid base	Motor Orientation	Horizontal Or Shaft Down
Drive End Bearing	Ball	Opp Drive End Bearing	Ball
Frame Material	Rolled Steel	Shaft Type	J
Overall Length	10.94 in	Frame Length	6.50 in
Shaft Diameter	0.625 in	Shaft Extension	2.56 in
Assembly/Box Mounting	F1 Only		
Outline Drawing	A-SS75914-650	Connection Diagram	A-EE9002V

This is an uncontrolled document once printed or downloaded and is subject to change without notice. Date Created: 06/28/2018

TERM. END OF
SHAFT SLOTTED
FOR SCREWDRIVER

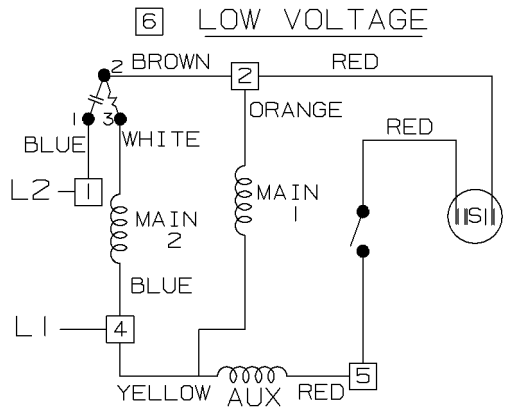


3/8-16 UNC-2B
.56 MIN. FULL
THD. 4 HOLES

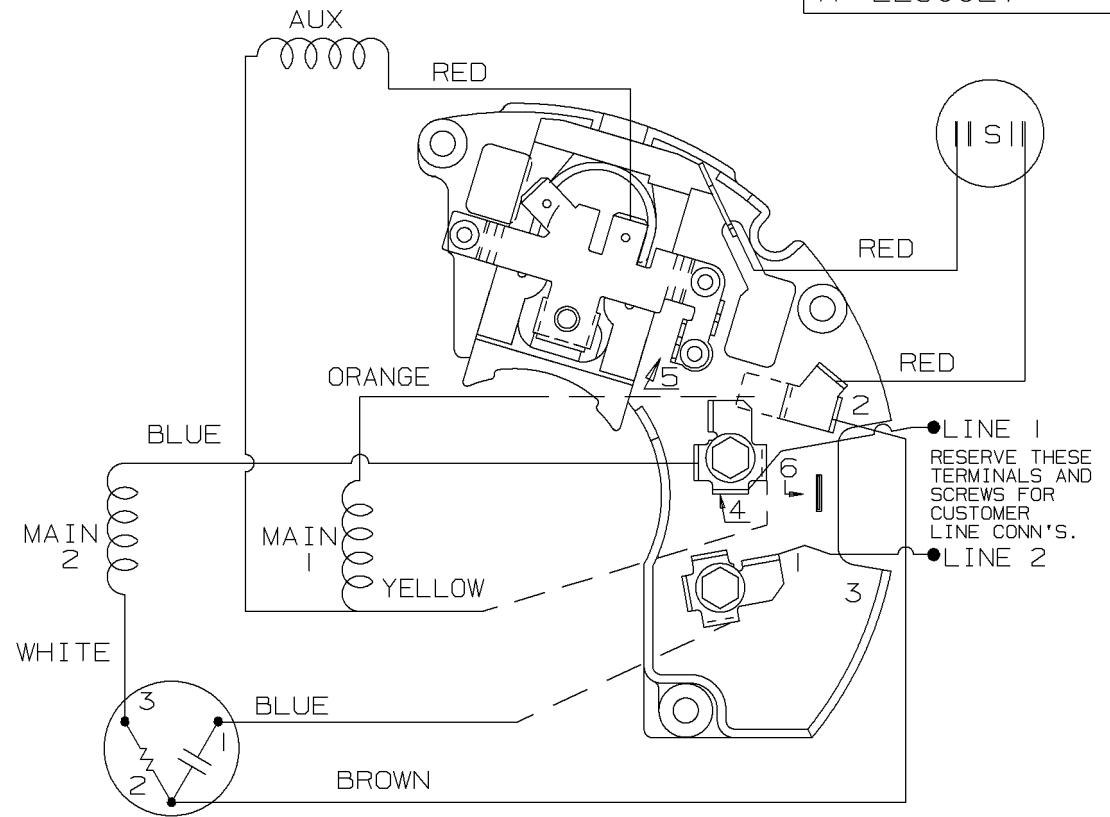
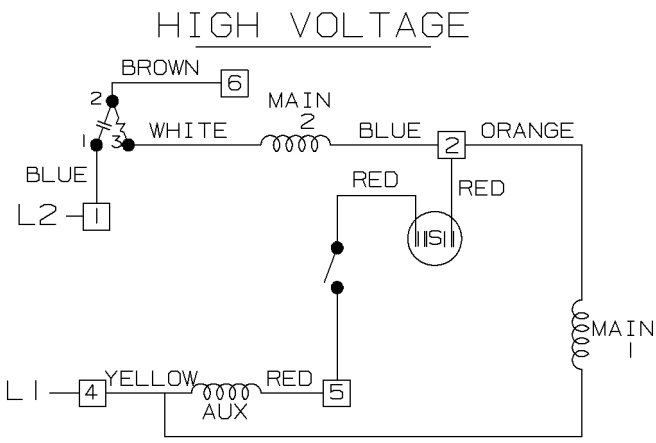


DASH		C	AG		DASH		C	AG		DASH		C	AG	
625		10.69	8.12		700		11.44	8.88		775		12.19	9.62	
650		10.94	8.38		725		11.69	9.12						
675		11.19	8.62		750		11.94	9.38						

				TOLERANCES UNLESS SPECIFIED		MARATHON ELECTRIC		DRAWN DD 06-30-1993		
				DEC.	INCHES			CHK MOL 07-01-1993		
5	UPDATED DRAWING			TJW	04/20/2007	.X	±.1	APPD MB 07-01-1993		
4	REDRAWN IN AUTOCAD			TAT	07-13-2004	.XX	±.03	SCALE 3=8		
3	ADDED NEW FRONT BRACKET CN 20124			RJM	04-04-1995	.XXX	±.005	REF		
2	PHANTOM DRIPCOVER - ADDED SLINGER CN 16315			KL	09-28-1993	.XXXX	±.0005	FMF		
1	NEW DRAWING 4041651			DD	07-02-1993	FINISH		PREV		
NO.	REVISION			BY & DATE	CHK	ANG	FINISH		PREV	
THIS DRAWING IN DESIGN AND DETAIL IS OUR PROPERTY AND MUST NOT BE USED EXCEPT IN CONNECTION WITH OUR WORK ALL RIGHTS OF DESIGN AND INVENTION ARE RESERVED THIS IS AN ELECTRONICALLY GENERATED DOCUMENT - DO NOT SCALE THIS PRINT				RFP	CAD FILE ss75914			SIZE	DRAWING NO. PAGE OF	REV.
				DIST	WP			A	SS75914	5



DUAL VOLTAGE
CAP. START NOT REVERSIBLE
WITH OVERLOAD PROTECTION.



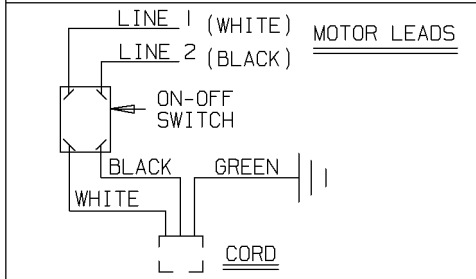
RESERVE THESE
TERMINALS AND
SCREWS FOR
CUSTOMER
LINE CONN'S.

VIEWING TERM END

LOW VOLTAGE CW ROTATION SHOWN.
FOR HIGH VOLTAGE
CONNECT BROWN TERM 2 TO TERM 6.
CONNECT BLUE TERM 4 TO TERM 2.

DASH LINES INDICATE LEADS CONNECTED
TO MOTOR SIDE OF SWITCH.

USE WHEN CONNECTING CORD AND SWITCH
INSIDE CONDUIT BOX.



3	01-28-1991	REVISED LINE 2 LOCATION	RM	✓ MAX. SURFACE ROUGHNESS UNLESS NOTED OTHERWISE	UNLESS OTHERWISE SPECIFIED DIMENSIONS ARE IN INCHES TOL. ON XX± XXX±.005 XXXX±.0005 ANGLES±
2	01-04-1991	ADDED CORD - SWITCH CONNECTION	SMC	MATL SPEC	DRAWN BY SMC 12-11-1990
1	112-11-1990	NEW DRAWING	SMC	FINISH	CHKD BY ML 12-11-1990
REV	DATE	CHANGE	NAME	REFERENCE DRW.	APPD BY GK 12-11-1990
			PART NAME CONNECTION DIAGRAM 48 FR. DUAL VOLTAGE NOT REVERSIBLE		DRWG NO A-EE9002V



```
ERROR: syntaxerror  
OFFENDING COMMAND: --nostringval--
```

```
STACK:
```

```
 /im  
-savelevel-
```

CERTIFICATION DATA SHEET

Model#: 56C34D2118 F **WINDING#:** CE482197 NONE 3
CONN. DIAGRAM: A-EE9002V **ASSEMBLY:** F1 ONLY
OUTLINE: A-SS75914-650

TYPICAL MOTOR PERFORMANCE DATA

HP	KW	SYNC. RPM	F.L. RPM	FRAME	ENCLOSURE	KVA CODE	DESIGN
1/3	0.25	3600	3450	56J	DP	L	NO DESIGN CODE

PH	Hz	VOLTS	FL AMPS	START TYPE	DUTY	INSL	S.F	AMB°C	ELEVATION
1	60	115/208-230	5.6/2.7-2.8	ACROSS THE LINE	CONTINUOUS	B3	1.75	40	3300

FULL LOAD EFF: 64	3/4 LOAD EFF: 57	1/2 LOAD EFF: 48	GTD. EFF	ELEC. TYPE	NO LOAD AMPS
FULL LOAD PF: 65	3/4 LOAD PF: 58	1/2 LOAD PF: 48	0	CAP START IND RUN	4.4 / 2.2

F.L. TORQUE	LOCKED ROTOR AMPS	L.R. TORQUE	B.D. TORQUE	F.L. RISE°C
8 LB-FT	28.2 / 14.1	14.3 LB-FT -	23 LB-FT -	30

SOUND PRESSURE @ 3 FT.	SOUND POWER	ROTOR WK^2	MAX. WK^2	SAFE STALL TIME	STARTS /HOUR	APPROX. MOTOR WGT
- dBA	- dBA	0 LB-FT^2	- LB-FT^2	- SEC.	-	0 LBS.

***** SUPPLEMENTAL INFORMATION *****

DE BRACKET TYPE	ODE BRACKET TYPE	MOUNT TYPE	ORIENTATION	SEVERE DUTY	HAZARDOUS LOCATION	DRIP COVER	SCREENS	PAINT
C-FACE	STANDARD	RIGID	HORIZONTAL OR SHAFT DOWN	FALSE	NONE	TRUE	NONE	GRAY (POWDER)

BEARINGS		GREASE	SHAFT TYPE	SPECIAL DE	SPECIAL ODE	SHAFT MATERIAL	FRAME MATERIAL
DE	OPE						
BALL	BALL	POLYREX EM	JET PUMP	NONE	NONE	416 STAINLESS (C-503)	ROLLED STEEL
6203	6203						

THERMO-PROTECTORS				THERMISTORS	CONTROL	SPACE /n HEATERS
THERMOSTATS	PROTECTORS	WDG RTDs	BRG RTDs			
NONE	AUTOMATIC	NONE	NONE	NONE	FALSE	NONE VOLTS

If Inverter equals NONE, contact factory for further information

INVERTER TORQUE: NONE
INV. HP SPEED RANGE: NONE
ENCODER: NONE
NONE NONE
NONE NONE PPR
BRAKE: NONE NONE
NONE P/N NONE
NONE NONE
NONE FT-LB NONE V NONE Hz

*
N
O
T
E
S
*