

# PRODUCT INFORMATION PACKET

Model No: 056C17D2097  
Catalog No: S112  
1/2, 1800, DP, 56, 1/60/115/230  
Open Drip Proof (ODP)



Regal and Marathon are trademarks of Regal Beloit Corporation or one of its affiliated companies.  
©2018 Regal Beloit Corporation, All Rights Reserved. MC017097E



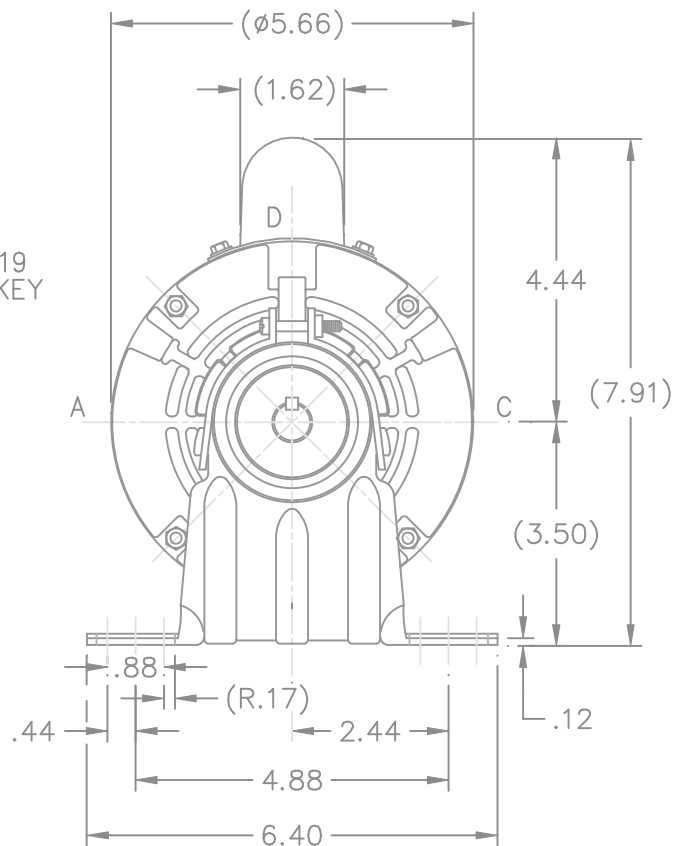
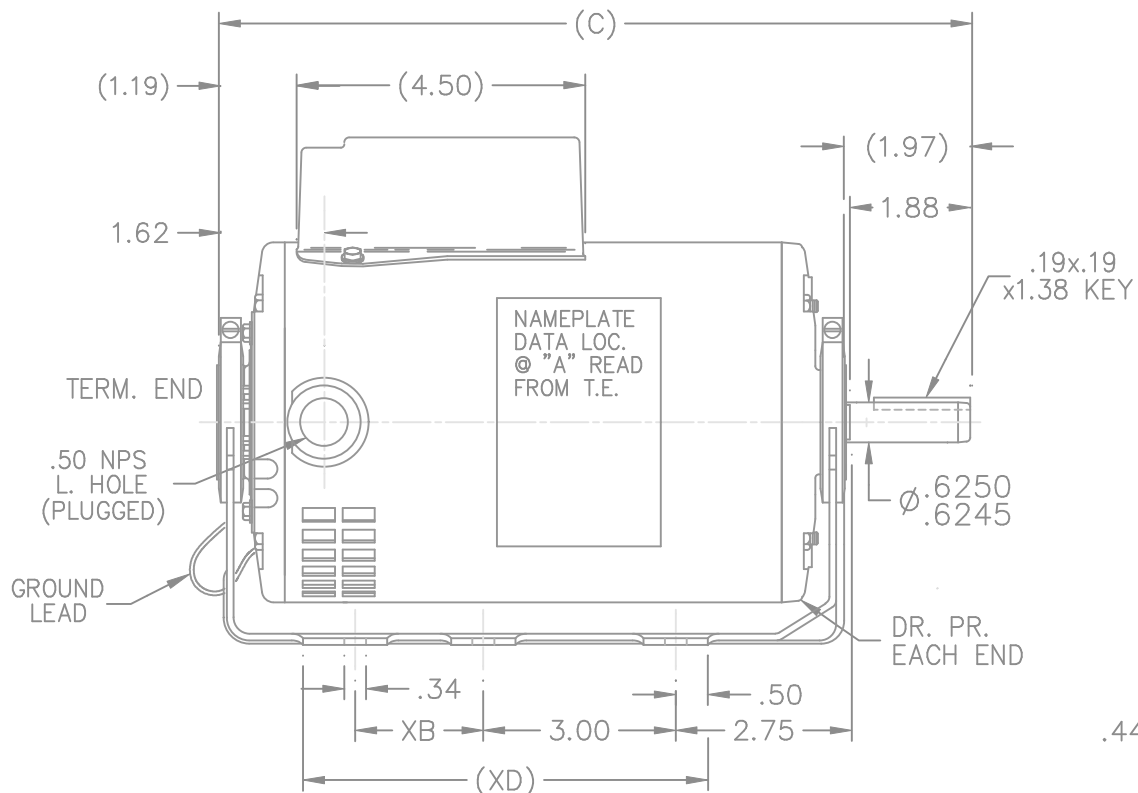


### Nameplate Specifications

Output HP	<b>0.50 Hp</b>	Output KW	<b>0.37 kW</b>
Frequency	<b>60 Hz</b>	Voltage	<b>115/230 V</b>
Current	<b>9.1/4.5 A</b>	Speed	<b>1725 rpm</b>
Service Factor	<b>1</b>	Phase	<b>1</b>
Efficiency	<b>59.5 %</b>	Duty	<b>Continuous</b>
Insulation Class	<b>B</b>	Design Code	<b>NO DESIGN CODE</b>
KVA Code	<b>L</b>	Frame	<b>56</b>
Enclosure	<b>Drip Proof</b>	Overload Protector	<b>No</b>
Ambient Temperature	<b>40 °C</b>	Drive End Bearing Size	<b>6203</b>
Opp Drive End Bearing Size	<b>6203</b>	UL	<b>Recognized</b>
CSA	<b>Y</b>	CE	<b>N</b>
IP Code	<b>22</b>		

### Technical Specifications

Electrical Type	<b>Capacitor Start Induction Run</b>	Starting Method	<b>Across The Line</b>
Poles	<b>4</b>	Rotation	<b>Selective Counterclockwise</b>
Mounting	<b>Resilient Base</b>	Motor Orientation	<b>Horizontal</b>
Drive End Bearing	<b>Ball</b>	Opp Drive End Bearing	<b>Ball</b>
Frame Material	<b>Rolled Steel</b>	Shaft Type	<b>T</b>
Overall Length	<b>10.22 in</b>	Frame Length	<b>6.25 in</b>
Shaft Diameter	<b>0.625 in</b>	Shaft Extension	<b>1.97 in</b>
Assembly/Box Mounting	<b>F1 Only</b>		
Outline Drawing	<b>A-SS403276-625</b>	Connection Diagram	<b>A-EE9002E</b>

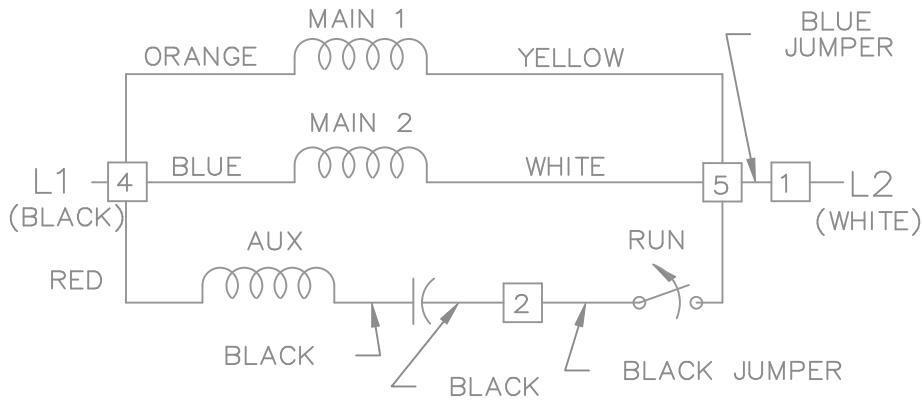


DASH	XB	XD	C
625	0	5.43	10.22
650	0	5.43	10.47
675	0	5.43	10.72

06.22.2007

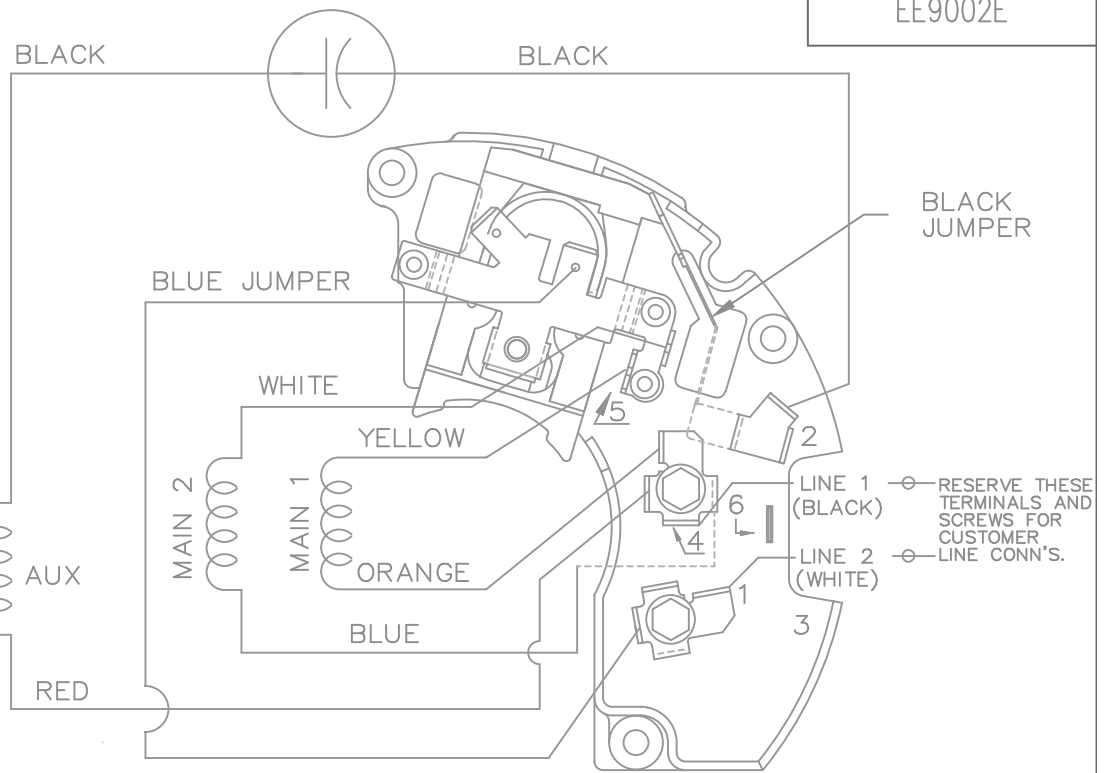
06.22.2007

				TOLERANCES UNLESS SPECIFIED		MARATHON ELECTRIC	DRAWN KJC 12-18-2002	
				DEC.	INCHES		CHK	
				.X	±.1	TITLE OUTLINE 56 FRAME	APPD	
				.XX	±.03		SCALE	1=3
				.XXX	±.005		REF	
				.XXXX	±.0005		MAT'L.	FMF
01	NEW DRAWING	MU44654	KJC	CHK	ANG	±7'30"	FINISH	PREV
THIS DRAWING IN DESIGN AND DETAIL IS OUR PROPERTY AND MUST NOT BE USED EXCEPT IN CONNECTION WITH OUR WORK ALL RIGHTS OF DESIGN AND INVENTION ARE RESERVED THIS IS AN ELECTRONICALLY GENERATED DOCUMENT - DO NOT SCALE THIS PRINT				RFP	CAD FILE ss403276		SIZE	DRAWING NO. PAGE OF REV.
				DIST	WP		A	SS403276 01



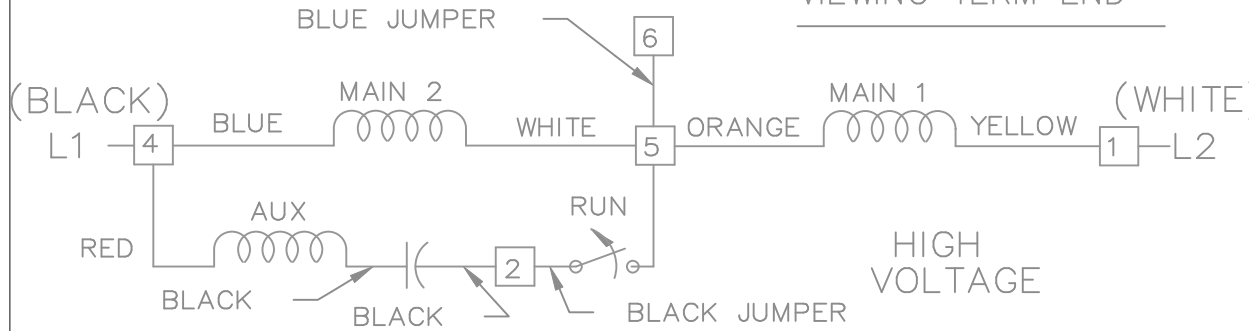
LOW VOLTAGE

DUAL VOLTAGE CAPACITOR START REVERSIBLE ON TERM BOARD NO OVERLOAD PROTECTION



VIEWING TERM END

LOW VOLTAGE CCW ROTATION SHOWN



HIGH VOLTAGE

FOR HIGH VOLTAGE:  
CONNECT BLUE TERM 1 TO TERM 6,  
CONNECT YELLOW TERM 5 TO TERM 1,  
CONNECT ORANGE TERM 4 TO TERM 5.

TO REVERSE ROTATION EITHER VOLTAGE INTERCHANGE RED LEAD WITH BLACK LEAD

			TOLERANCES UNLESS SPECIFIED		MARATHON ELECTRIC	DRAWN ML 02-02-1988					
NO.	REVISION	BY & DATE	CHK	ANG		SCALE	REF	FMF	PREV		
05	COLOURS ADDED TO L1,L2	RP 12/10/2008	DEC.	INCHES	TITLE CONNECTION DIAGRAM 48FR. DUAL VOLTAGE REVERSIBLE	CHK	ML 02-15-1988				
04	WHITE LEAD LOCATED UNDER BKY DATE CODE APPR. 6K AND PRIOR CN 28441	BLR 09/13/99	.X	±.1		APPD	DRN 02-24-1988				
03	REVISED LINE 2 LOCATION CN 6427	RM 01/28/1991	.XX	±.02		SCALE	1=1				
02	ADDED CUSTOMER CONN. NOTE CN 6011	BW 08/03/1989	.XXX	±.005		REF	EE9002E-LE				
			.XXXX	±.0005							
			ANG	±7'30"	MAT'L.						
			RFP		FINISH						
THIS DRAWING IN DESIGN AND DETAIL IS OUR PROPERTY AND MUST NOT BE USED EXCEPT IN CONNECTION WITH OUR WORK ALL RIGHTS OF DESIGN AND INVENTION ARE RESERVED THIS IS AN ELECTRONICALLY GENERATED DOCUMENT - DO NOT SCALE THIS PRINT			DIST	WP	CAD FILE	EE9002E	SIZE	DRAWING NO.	PAGE	OF	REV.
							A	EE9002E			05

