

# PRODUCT INFORMATION PACKET

Model No: 048T17V2001  
Catalog No: N460  
1/3,1800,TENV,48C,3/60/208-230/460  
Washdown Duty



Regal and Marathon are trademarks of Regal Beloit Corporation or one of its affiliated companies.

©2018 Regal Beloit Corporation, All Rights Reserved. MC017097E



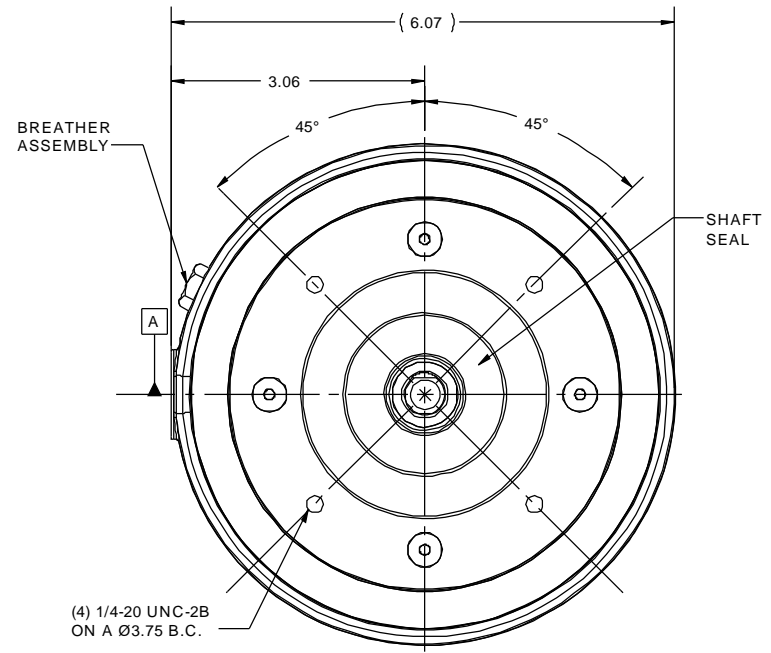
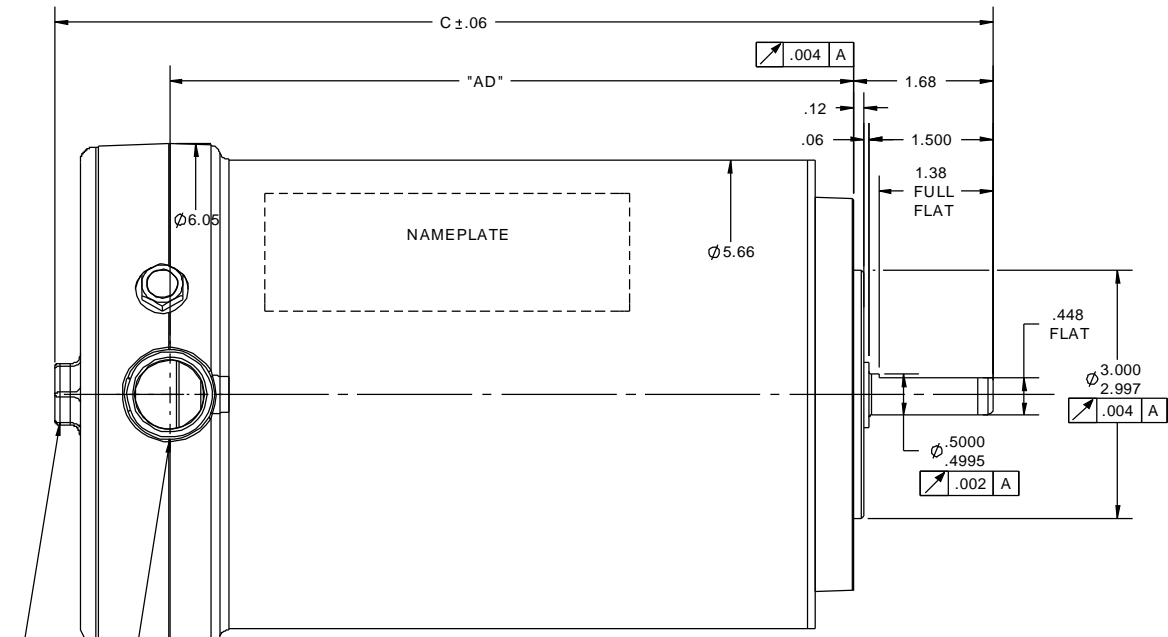
### Nameplate Specifications

Output HP	<b>0.33 Hp</b>	Output KW	<b>0.25 kW</b>
Frequency	<b>60 Hz</b>	Voltage	<b>208-230/460 V</b>
Current	<b>1.3-1.3/0.65 A</b>	Speed	<b>1725 rpm</b>
Service Factor	<b>1.15</b>	Phase	<b>3</b>
Efficiency	<b>72 %</b>	Duty	<b>Continuous</b>
Insulation Class	<b>F</b>	Design Code	<b>B</b>
KVA Code	<b>K</b>	Frame	<b>48C</b>
Enclosure	<b>Totally Enclosed Non Ventilated</b>	Overload Protector	<b>No</b>
Ambient Temperature	<b>40 °C</b>	Drive End Bearing Size	<b>6204</b>
Opp Drive End Bearing Size	<b>6204</b>	UL	<b>Recognized</b>
CSA	<b>Y</b>	CE	<b>Y</b>
IP Code	<b>56</b>		

### Technical Specifications

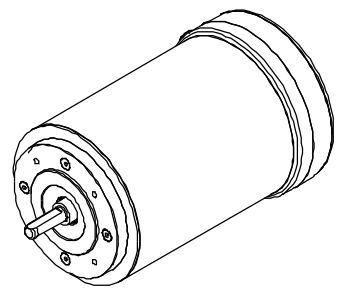
Electrical Type	<b>Squirrel Cage Induction Run</b>	Starting Method	<b>Across The Line</b>
Poles	<b>4</b>	Rotation	<b>Reversible</b>
Mounting	<b>Round</b>	Motor Orientation	<b>Horizontal</b>
Drive End Bearing	<b>Ball</b>	Opp Drive End Bearing	<b>Ball</b>
Frame Material	<b>Stainless Steel</b>	Shaft Type	<b>T</b>
Overall Length	<b>9.83 in</b>	Frame Length	<b>5.50 in</b>
Shaft Diameter	<b>0.500 in</b>	Shaft Extension	<b>1.68 in</b>
Assembly/Box Mounting	<b>F1 Only</b>		
Outline Drawing	<b>031981ME-550</b>	Connection Diagram	<b>005010.01ME</b>

This is an uncontrolled document once printed or downloaded and is subject to change without notice. Date Created: 06/28/2018



1/2-14 NPT CONDUIT HOLE  
3/4" HEX DRIVER FOR COVER REMOVAL

DASH NO.	"C"	"AD"
525	9.58	6.51
550	9.83	6.76
575	10.08	7.01
600	10.33	7.26
625	10.58	7.51
650	10.83	7.76
675	11.08	8.01
700	11.33	8.26
725	11.58	8.51
750	11.83	8.76



TOLERANCES UNLESS SPECIFIED			DRAWN PVR 10/08/13
DEC	INCHES		CHK JD 10/08/13
X	±.1		APPR
XX	±.03		SCALE 1:4
XXX	±.005	TITLE OUTLINE - 48 FRAME S.S. ROUND - C-FACE	REF 031981
XXXX	±.0005	MAT'L	FMF 048T17V2001
NO	REVISION	BY & DATE	PAGE OF
THIRD ANGLE PROJECTION		CHK LANG ±1/2°	FINISH
		RFP	PREV
		NETWORK FILE NAME 031981ME	SIZE B
			DRAWING NO 031981ME
			REV

VIEW FROM OUTSIDE OF MOTOR AT SWITCH END.



VOLTAGE	L1	L2	L3	JOIN & INSULATE
HIGH	T1	T2	T3	(T4,T7) (T5,T8) (T6,T9)
LOW	T1,T7	T2,T8	T3,T9	T4,T5,T6

		TOLERANCES UNLESS SPECIFIED		DRAWN RDW 04/12/02					
		DEC.	INCHES	CHK					
		.X	±.1	APPD					
		.XX	±.01	SCALE 1=1					
		.XXX	±.005	REF FIG.2-51					
		.XXXX	±.0005	FMF					
NO.	REVISION	BY & DATE	CHK	ANG	FINISH	PREV			
				±1/2"					
THIS DRAWING IN DESIGN AND DETAIL IS OUR PROPERTY AND MUST NOT BE USED EXCEPT IN CONNECTION WITH OUR WORK ALL RIGHTS OF DESIGN AND INVENTION ARE RESERVED THIS IS AN ELECTRONICALLY GENERATED DOCUMENT - DO NOT SCALE THIS PRINT			RFP	04/12/02	CAD FILE	00501001ME	SIZE	DRAWING NO.	REV.
			DIST				A	005010-01ME	



TITLE EXTERNAL WIRING DIAGRAM  
3 PHASE W/O PROTECTOR  
MAT'L. DECAL - 004014

