

# PRODUCT INFORMATION PACKET

Model No: 048A11O1065  
Catalog No: X212  
1/6,1075,OPAO,48Y,1/60/230  
Other Purpose



Regal and Marathon are trademarks of Regal Beloit Corporation or one of its affiliated companies.  
©2018 Regal Beloit Corporation, All Rights Reserved. MC017097E





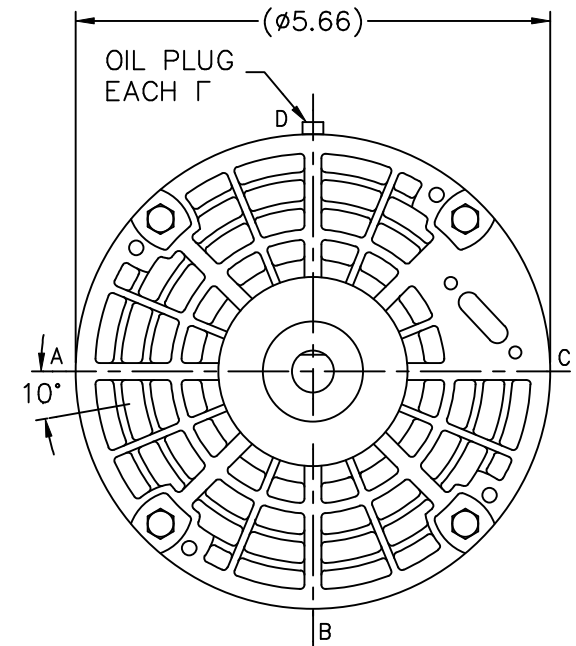
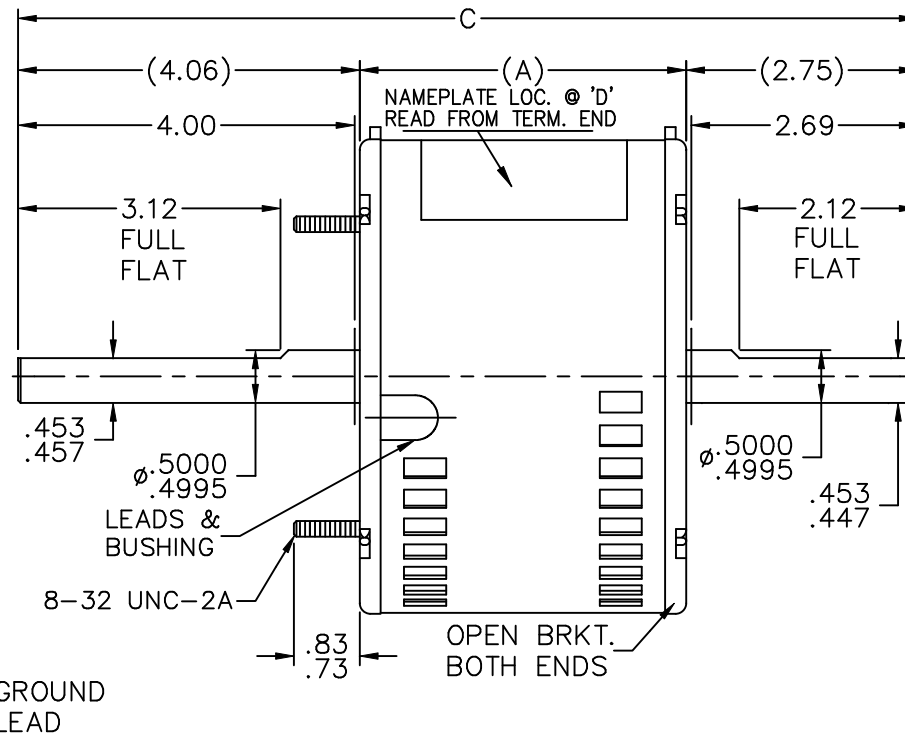
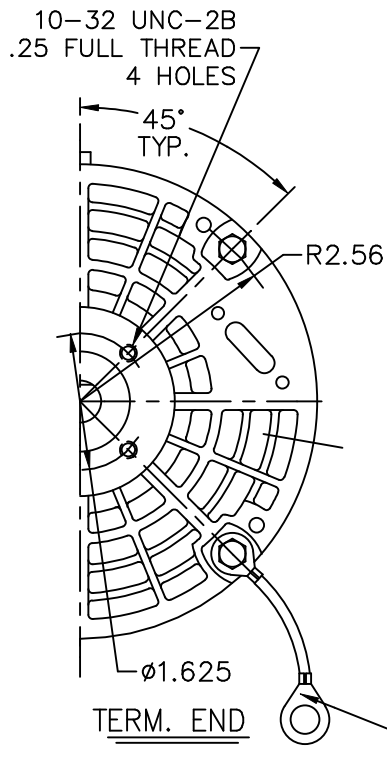
### Nameplate Specifications

Output HP	<b>0.17 Hp</b>	Output KW	<b>0.13 kW</b>
Frequency	<b>60 Hz</b>	Voltage	<b>230 V</b>
Current	<b>1.1 A</b>	Speed	<b>1100 rpm</b>
Service Factor	<b>1</b>	Phase	<b>1</b>
Efficiency	<b>54.4 %</b>	Duty	<b>Continuous</b>
Insulation Class	<b>B</b>	Design Code	<b>NO DESIGN CODE</b>
KVA Code	<b>B</b>	Frame	<b>48Y</b>
Enclosure	<b>Open Air Over</b>	Overload Protector	<b>Auto Lock Rotor Only</b>
Ambient Temperature	<b>40 °C</b>	Drive End Bearing Size	<b>6203</b>
Opp Drive End Bearing Size	<b>6203</b>	UL	<b>Recognized</b>
CSA	<b>Y</b>	CE	<b>N</b>
IP Code	<b>10</b>		

### Technical Specifications

Electrical Type	<b>Permanent Split Capacitor</b>	Starting Method	<b>Across The Line</b>
Poles	<b>6</b>	Rotation	<b>Fixed Counterclockwise</b>
Mounting	<b>Three Lug Mount</b>	Motor Orientation	<b>Horizontal</b>
Drive End Bearing	<b>Sleeve</b>	Opp Drive End Bearing	<b>Sleeve</b>
Frame Material	<b>Rolled Steel</b>	Shaft Type	<b>Special Extension Both Sides</b>
Overall Length	<b>10.69 in</b>	Shaft Diameter	<b>0.500 in</b>
Shaft Extension	<b>2.75/4 in</b>	Assembly/Box Mounting	<b>F1 Only</b>
Outline Drawing	<b>A-SS73765-338</b>	Connection Diagram	<b>6906494</b>

This is an uncontrolled document once printed or downloaded and is subject to change without notice. Date Created: 06/28/2018

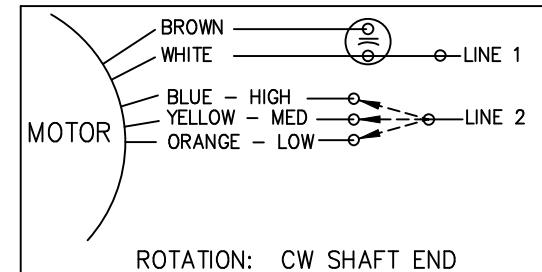


LEAD DESCRIPTION:

1 BROWN, 1 WHITE, 1 BLUE, 1 YELLOW, & 1 ORANGE WITH .25 FLAG TYPE QUICK CONNECT, 40.00/42.00 LONG.

GREEN GROUND LEAD WITH TERM. FOR #10 SCREW 7.50" LONG.

SHAFT ENDPLAY .032 MAX.



DASH	FR.	C	A
338	48	10.69	3.88

NO.	REVISION	BY & DATE	CHK	TOLERANCES UNLESS SPECIFIED	
				ANG	INCHES
3	REDRAWN IN AUTOCAD	TAT 10-14-2004	ML	.X	±.1
2	LOCATION OF 4 10-32 HOLES ON FRONT BRACKET WAS 1.625 RADIUS	TJB 11-06-2000		.XX	±.03
				.XXX	±.005
1	REDRAWN ON CADD	MJD 03-28-1998		.XXXX	±.0005
					±7'30"
			RFP		
			DIST	WP	

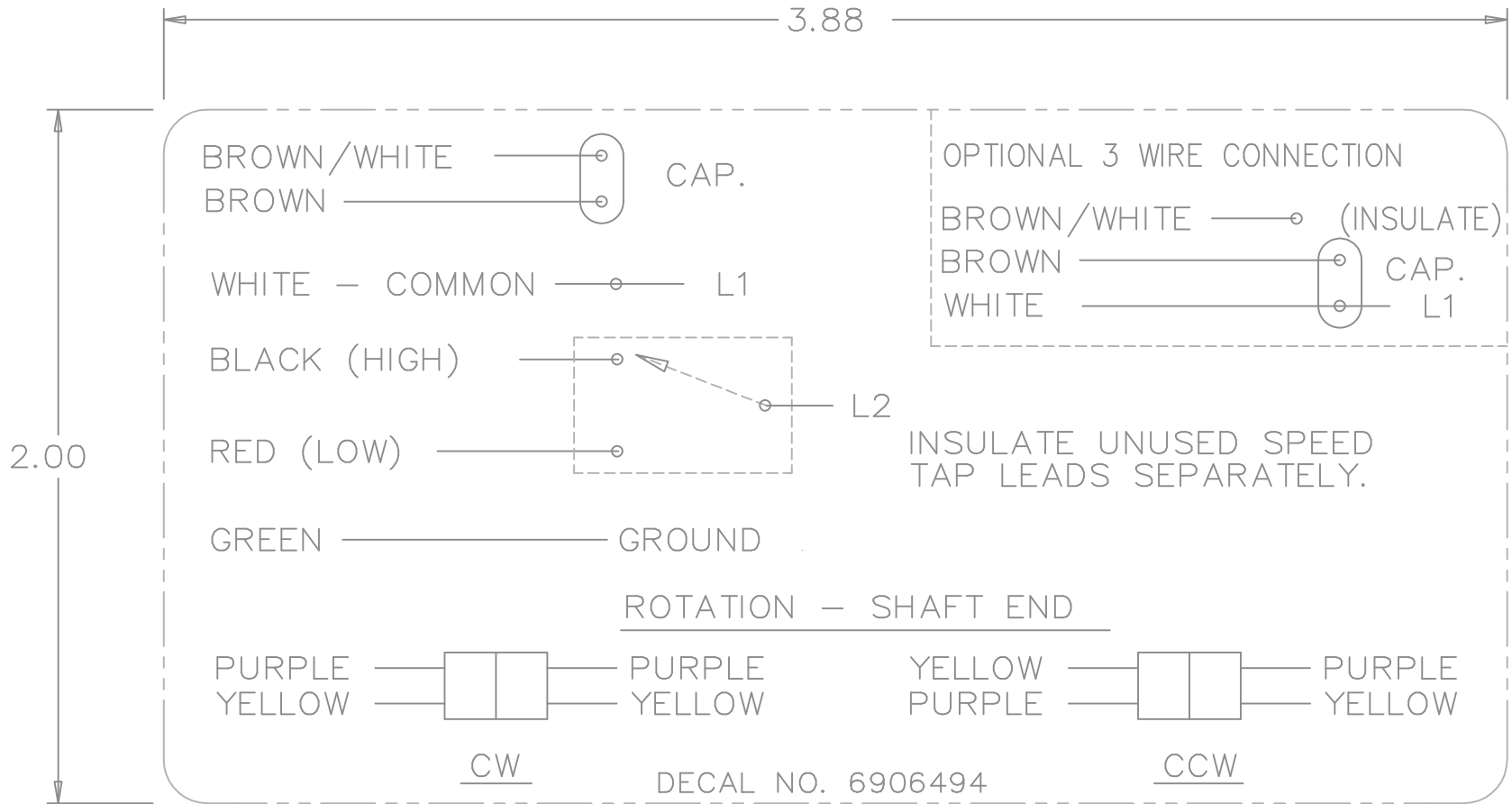
**MARATHON ELECTRIC**

TITLE OUTLINE  
48 FR. - DBL. EXT.

MAT'L.  
FINISH

CAD FILE ss73765

DRAWN	MJD	03-11-1998
CHK	MRB	03-28-1998
APPD	ML	03-28-1998
SCALE	7=16	
REF		
FMF		
PREV		
SIZE	DRAWING NO.	PAGE OF
A	SS73765	3



				TOLERANCES UNLESS SPECIFIED		REGAL-BELOIT <i>Motor Technologies</i>	DRAWN MRB 04-16-1998			
				DEC.	INCHES		CHK	ML	04-22-1998	
				.X	±.1		APPD	GK	04-22-1998	
3	REMOVED 'MARATHON ELECTRIC' CN 35106	DRS 05-01-2002	TOM	.XX	±.02	TITLE CONNECTION DECAL	SCALE	1=1		
2	PART NAME WAS CONNECTION DIAGRAM CN 25669	MRB 04-23-1998		.XXX	±.005		REF			
1	NEW DRAWING CN 25669	MRB 04-22-1998		.XXXX	±.0005	MAT'L.	FMF			
NO.	REVISION	BY & DATE	CHK	ANG	±'	FINISH	PREV			
THIS DRAWING IN DESIGN AND DETAIL IS OUR PROPERTY AND MUST NOT BE USED EXCEPT IN CONNECTION WITH OUR WORK ALL RIGHTS OF DESIGN AND INVENTION ARE RESERVED THIS IS AN ELECTRONICALLY GENERATED DOCUMENT - DO NOT SCALE THIS PRINT				RFP	CAD FILE 6906494		SIZE	DRAWING NO.	PAGE OF	REV.
				DIST	WP		A	6906494	3	3

