

PRODUCT INFORMATION PACKET

Model No: 5KH39QN9703T
Catalog No: 4738
1/3,1800,DP,48Y,1/60/230
Fan and Blower Motors



Regal and Marathon are trademarks of Regal Rexnord Corporation or one of its affiliated companies.
©2021 Regal Rexnord Corporation, All Rights Reserved. MC017097E

Nameplate Specifications

Output HP	0.33 Hp	Output KW	0.25 kW
Frequency	60 Hz	Voltage	230 V
Current	3.1 A	Speed	1725 rpm
Service Factor	1.35	Phase	1
Efficiency	55.9 %	Power Factor	0
Duty	Continuous	Insulation Class	B
KVA Code	R	Frame	48Y
Enclosure	Drip Proof	Thermal Protection	AUTO
Ambient Temperature	40 °C	Drive End Bearing Size	6203
Opp Drive End Bearing Size	6203	UL	Recognized
CSA	Yes	CE	N
Number of Speeds	1		

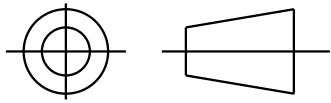
Technical Specifications

Electrical Type	Split Phase	Starting Method	SM
Poles	4	Rotation	Counterclockwise/Clockwise
Mounting	Resilient Rings	Motor Orientation	ANY
Drive End Bearing	BALL	Opp Drive End Bearing	Ball
Frame Material	Rolled Steel	Overall Length	10.3 in
Frame Length	5.41 in	Shaft Diameter	0.500 in
Shaft Extension	1.5 in	Thru-bolts Extension	0 in
Outline Drawing	52A106996P2	Connection Drawing	52A105379AA

This is an uncontrolled document once printed or downloaded and is subject to change without notice. Date Created:10/11/2021

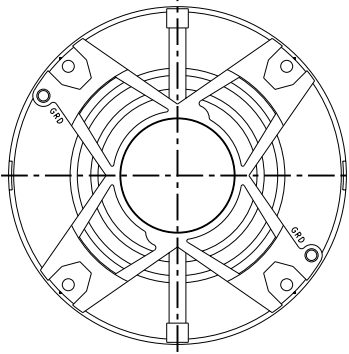
SHEET 1
 REV 3
 52A106996
 SIZE DRAWING NO. A

THIRD ANGLE PROJECTION

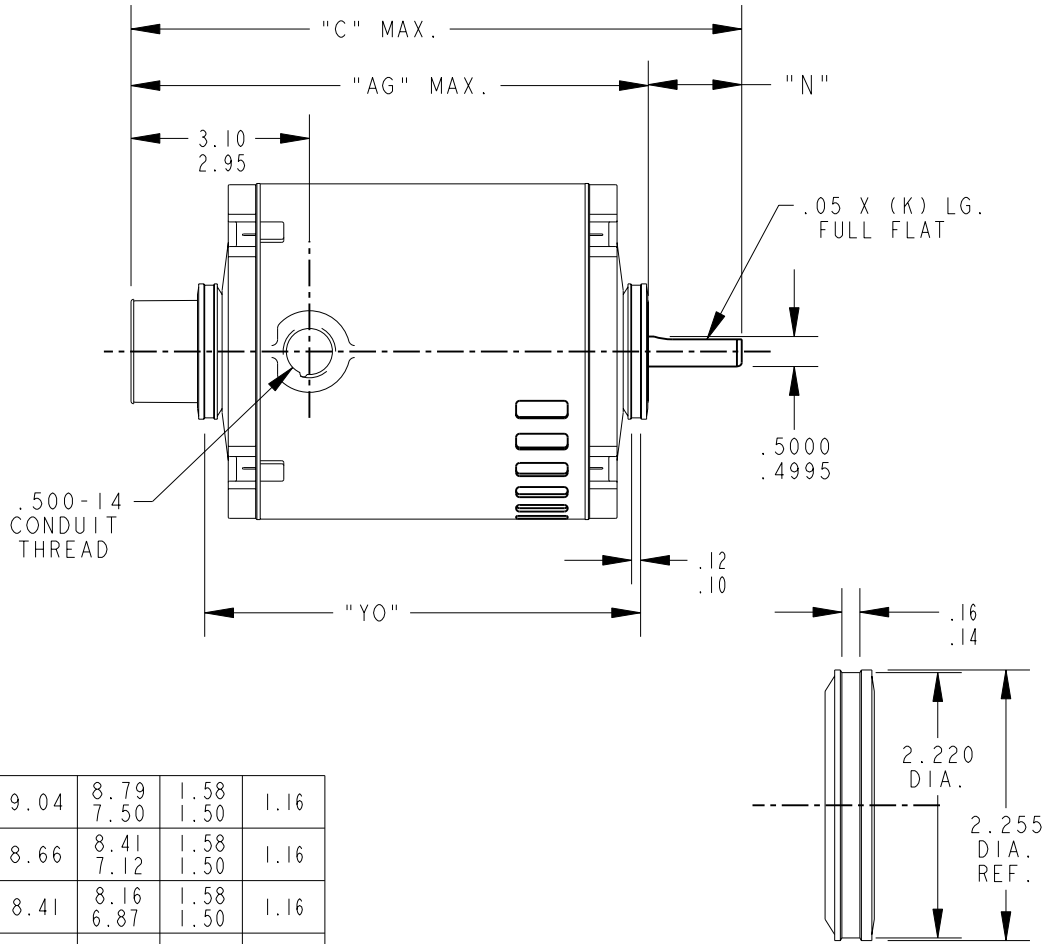
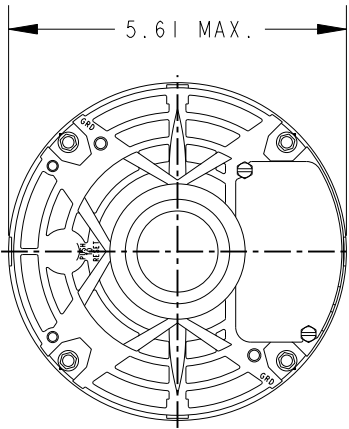


REVISIONS

REV.	DESCRIPTION	DATE	APPROVED
1	CHANGED TO BALL/SLV.	02/11/94	M.A.M.
2	REV. SHELL VENTS	11/04/94	M.A.M.
3	CHG TO RBC FORMAT PER ISO5-1777	02/16/06	SUDHA




VIEW SHOWING P.E. VENTILATION OPENINGS



3	KH	35	48Y	10.66	9.04	8.79 7.50	1.58 1.50	1.16
2	KH	33	48Y	10.28	8.66	8.41 7.12	1.58 1.50	1.16
1	KH	32	48Y	10.03	8.41	8.16 6.87	1.58 1.50	1.16
P	TYPE	GE SIZE	NEMA FR	"C"	"AG"	"YO"	"N"	"K"

		SIGNATURES	DATE
MODEL		MAM	01/24/90
DETAIL		.	.
CHECKED		.	.
ENGRG		.	.
MFG		.	.
FOR ADDITIONAL INFO REFER TO:			
APPLIED PRACTICES		QUALITY	.
DIMENSIONS ARE IN INCHES ✓		ISSUED	MAM 01/24/90
MATERIAL		SOLID MODEL: 52A106996	



REGAL-BELOIT CORPORATION

TITLE

OUTLINE

PDQ MOTOR - DRIP PROOF - RESIL. BASE - BALL/SLV. BRG. (5KH39QN9696X)

SIZE	DRAWING
A	

52A106996	REV 3
-----------	-------

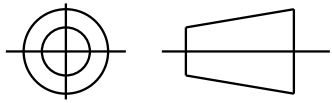
SCALE: 0.250

REF. No: .

SHEET 1 of 1

SHEET 6
REV 6
52A105379AA
SIZE DRAWING NO. A

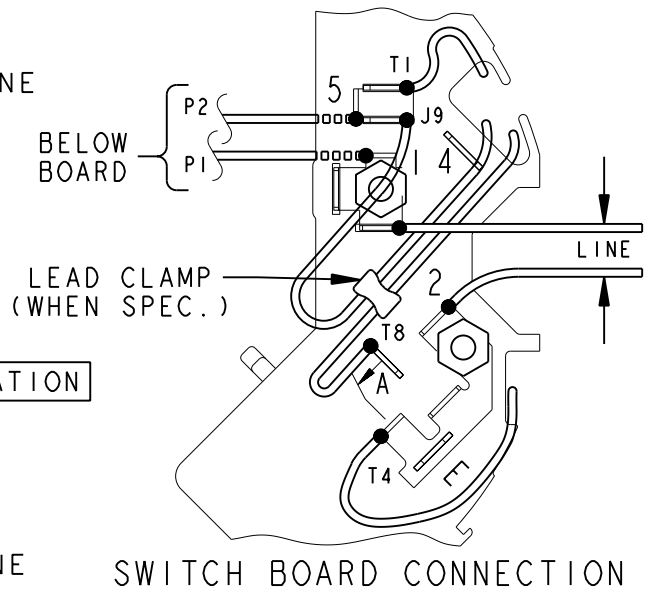
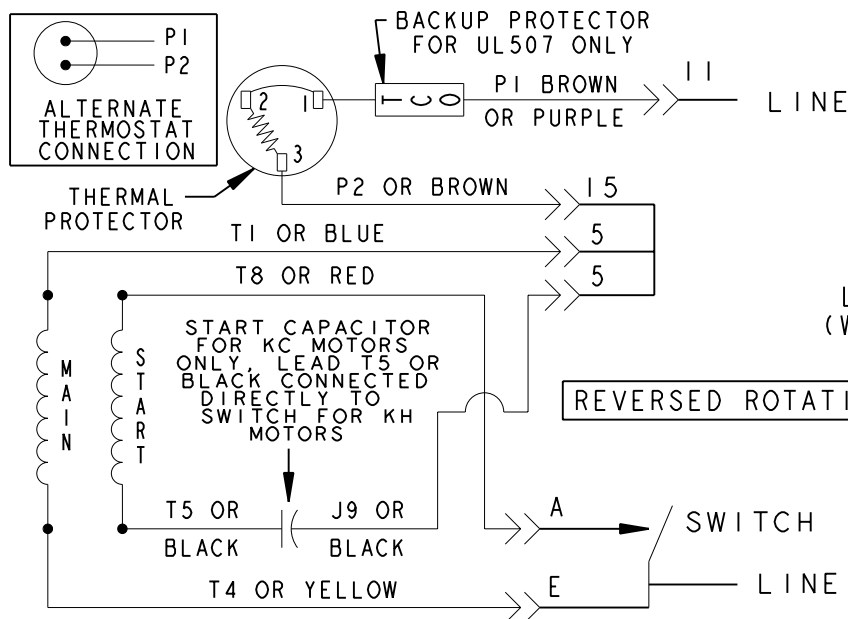
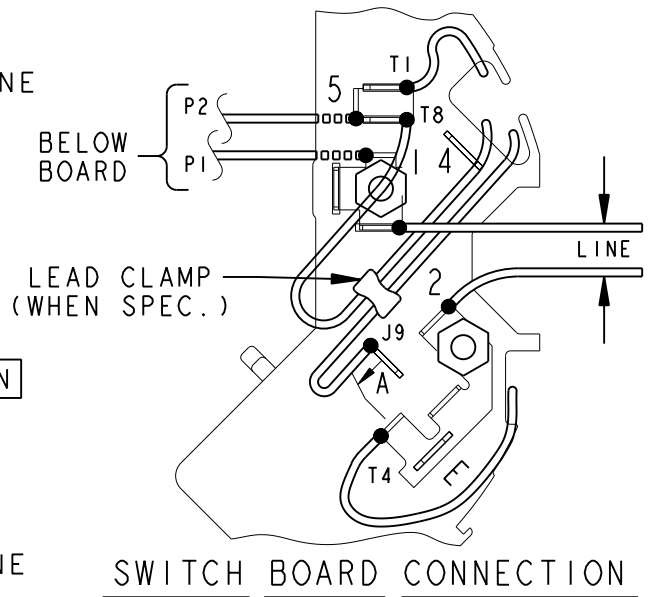
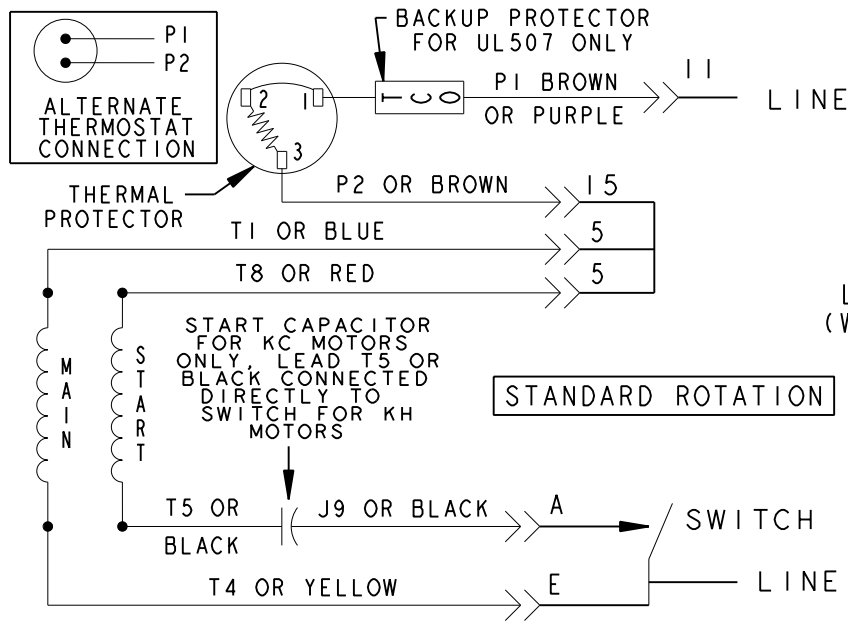
THIRD ANGLE PROJECTION



REVISIONS

REV.	DESCRIPTION	DATE	APPROVED
6	UPDATED FORMAT	12/01/05	MAM

EITHER ROTATION-SINGLE VOLTAGE-TYPE KC OR KH-WITH THERMAL PROTECTOR



NOTE #1 - TO REVERSE ROTATION INTERCHANGE RED (T8) AND BLACK (J9-KC OR T5-KH) LEADS.
NOTE #2 - WHEN MORE THAN ONE CAPACITOR IS USED CONNECT IN PARALLEL.

SWITCH (C) - 115D958AB

REF. DIAG. - 121A851

CONN. LABEL - 52X332048

SIGNATURES		DATE
MODEL	M. D. PAPE	06/29/87
DETAIL	.	.
CHECKED	.	.
ENGRG	.	.
MFG	.	.
FOR ADDITIONAL INFO REFER TO:	QUALITY	.
APPLIED PRACTICES	ISSUED	M. D. P. 03/08/00
DIMENSIONS ARE IN INCHES	SOLID MODEL: 52A105379AA	



REGAL-BELOIT CORPORATION

TITLE CONNECTION DIAGRAM

FMF - 30 FR SWITCH REDESIGN

SIZE DRAWING A 52A105379AA REV 6

SCALE: 1.000 REF. No: SHEET 1 of 1