

PRODUCT INFORMATION PACKET

Model No: 5KH39QN9698T
Catalog No: 4758
1/2,1725,DP,56Z,1/60/115
Fan and Blower Motors



Regal and Marathon are trademarks of Regal Rexnord Corporation or one of its affiliated companies.
©2021 Regal Rexnord Corporation, All Rights Reserved. MC017097E

Nameplate Specifications

| | | | |
|----------------------------|-------------------|------------------------|-------------------|
| Output HP | 0.50 Hp | Output KW | 0.37 kW |
| Frequency | 60 Hz | Voltage | 115 V |
| Current | 7.9 A | Speed | 1725 rpm |
| Service Factor | 1.25 | Phase | 1 |
| Efficiency | 65.2 % | Power Factor | 0 |
| Duty | Continuous | Insulation Class | B |
| KVA Code | N | Frame | 56Z |
| Enclosure | Drip Proof | Thermal Protection | AUTO |
| Ambient Temperature | 40 °C | Drive End Bearing Size | 6203 |
| Opp Drive End Bearing Size | 6203 | UL | Recognized |
| CSA | Yes | CE | N |
| Number of Speeds | 1 | | |

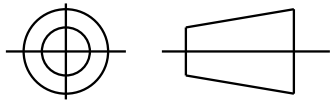
Technical Specifications

| | | | |
|--------------------|-----------------------|-----------------------|-----------------------------------|
| Electrical Type | Split Phase | Starting Method | SM |
| Poles | 4 | Rotation | Counterclockwise/Clockwise |
| Mounting | Resilient Base | Motor Orientation | ANY |
| Drive End Bearing | BALL | Opp Drive End Bearing | Ball |
| Frame Material | Rolled Steel | Overall Length | 9.99 in |
| Frame Length | 6.22 in | Shaft Diameter | 0.500 in |
| Shaft Extension | 1.5 in | Thru-bolts Extension | 0 in |
| Connection Drawing | 52A105379AA | Outline Drawing | 52A106994P1 |

This is an uncontrolled document once printed or downloaded and is subject to change without notice. Date Created:10/11/2021

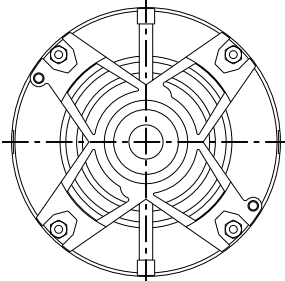
SHEET 1
REV 4
SIZE 52A106994
DRAWING NO. A

THIRD ANGLE PROJECTION

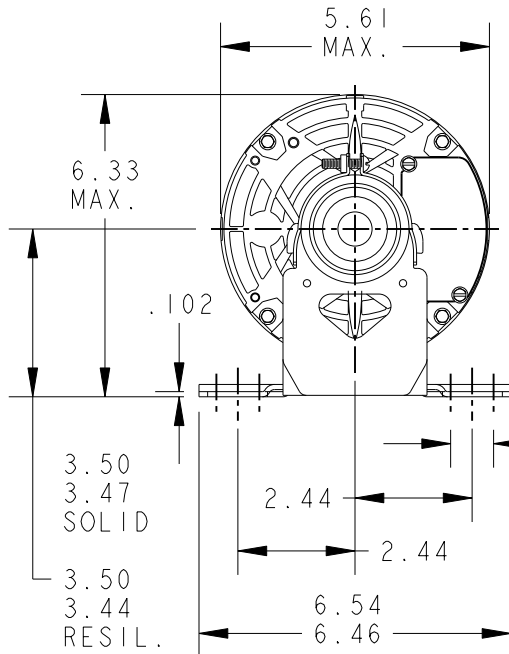


REVISIONS

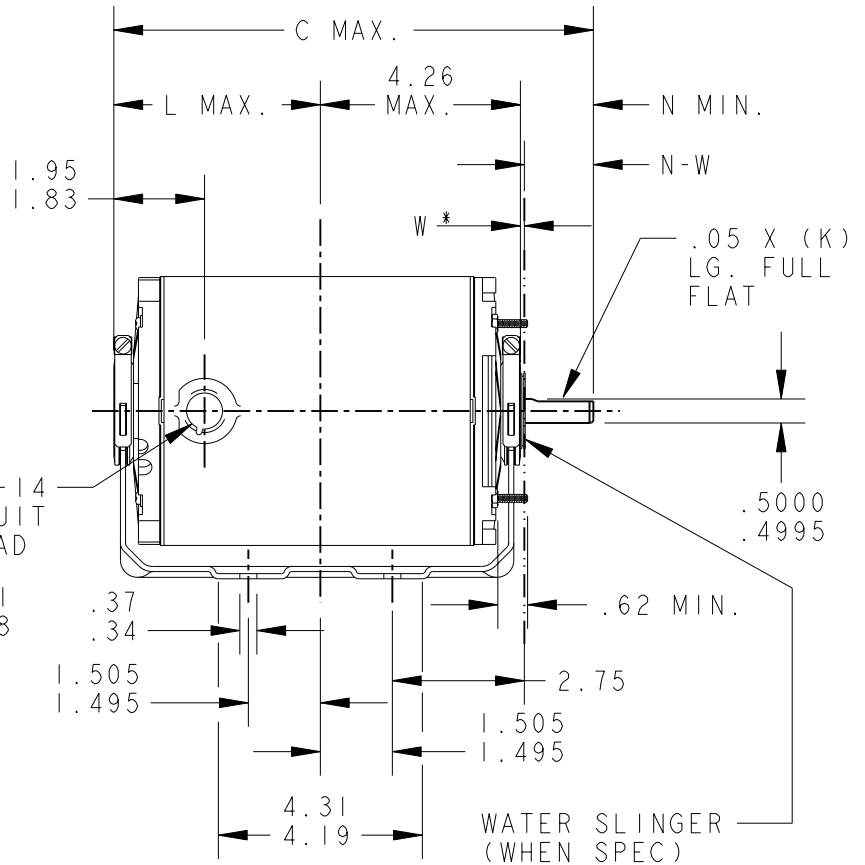
| REV. | DESCRIPTION | DATE | APPROVED |
|------|---------------------------------|----------|----------|
| 2 | REDRAWN WITHOUT CHANGE | 04/27/92 | BLJ |
| 3 | REDRAWN BY 2M SOFTWARE CO. | 03/05/95 | CCP |
| 4 | CHG TO RBC FORMAT PER ISO5-1777 | 02/15/06 | ARCHANA |



VIEW SHOWING P.E. VENTILATION OPENINGS




.500-14 CONDUIT THREAD



| | | | | | | | | | |
|---|------|---------|---------|------|------|------|------|-----------|---------|
| I | KH | 36 | 56Z | 9.99 | 1.16 | 4.23 | 1.50 | 1.63/1.41 | .55/.52 |
| P | TYPE | GE SIZE | NEMA FR | C | K | L | N | N-W | ZB |

W* IS A CLEARANCE DUE TO VARIATION IN PARTS AND ASSEMBLY.

| SIGNATURES | | DATE |
|-------------------------------|------------------------|-----------------|
| MODEL | M.A.M. | 01/20/90 |
| DETAIL | . | . |
| CHECKED | . | . |
| ENGRG | . | . |
| MFG | . | . |
| FOR ADDITIONAL INFO REFER TO: | QUALITY | . |
| APPLIED PRACTICES | ISSUED | C.C.P. 03/05/95 |
| DIMENSIONS ARE IN INCHES ✓ | SOLID MODEL: 52A106994 | |



REGAL-BELOIT CORPORATION

TITLE **OUTLINE**

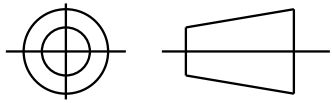
FORM N - GENERAL PURPOSE MOTOR - DRIP

PROOF - RESIL. BASE - SLEEVE BEARING FMF 5KH39QN9697AT

SCALE: 1.000 REF. No: . SHEET 1 of 1

SHEET 6
REV 6
52A105379AA
SIZE DRAWING NO. A

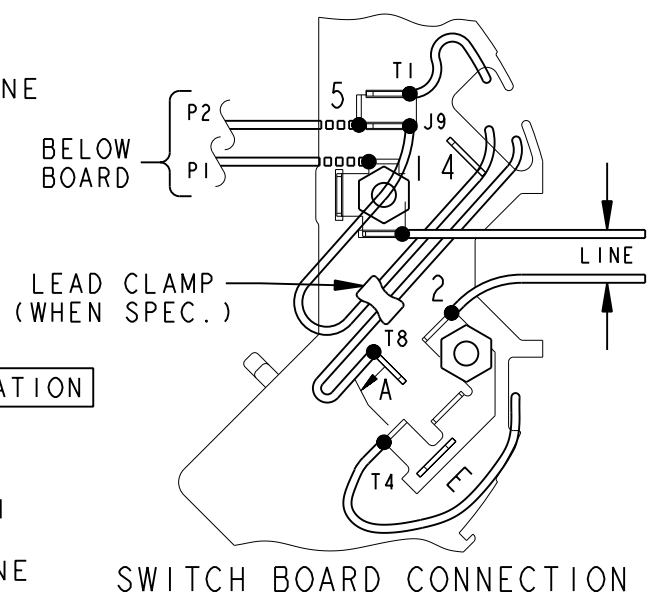
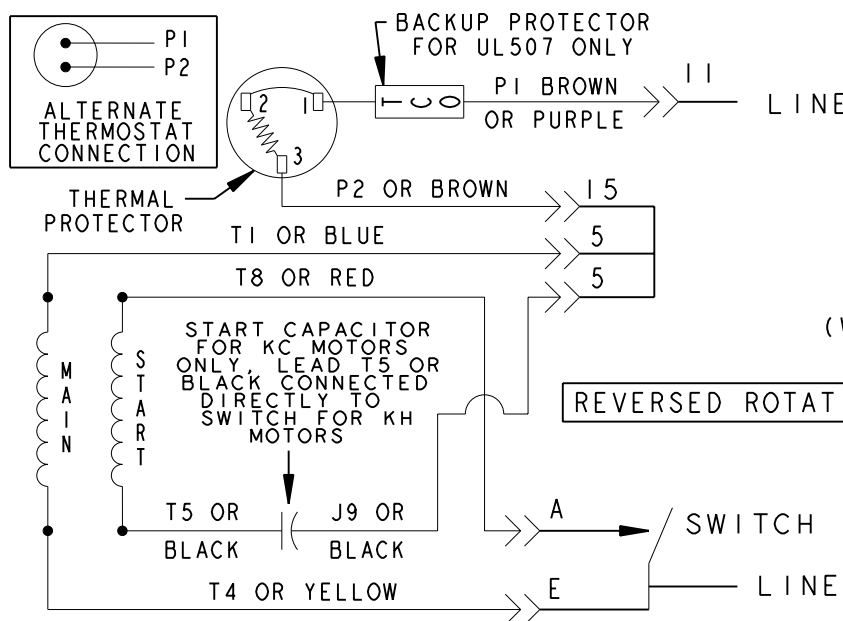
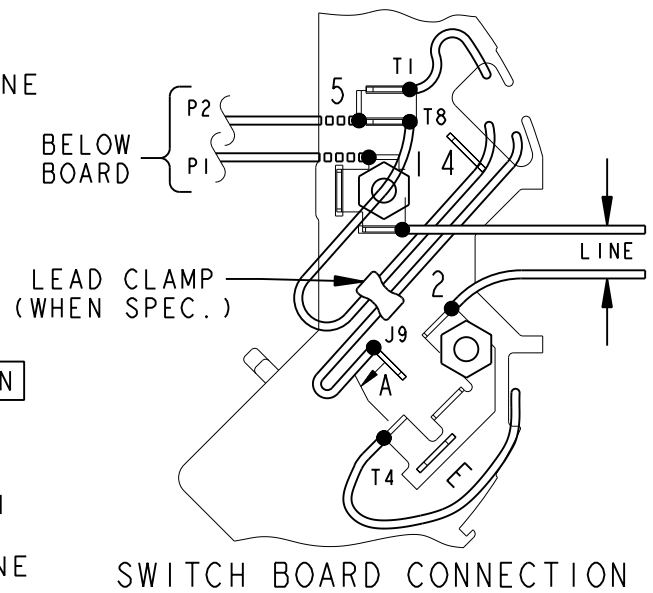
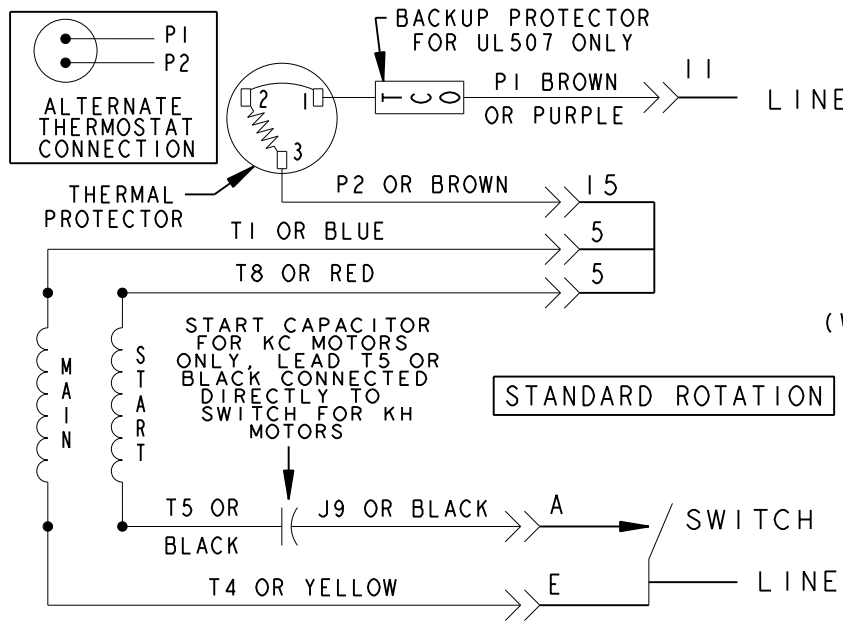
THIRD ANGLE PROJECTION



REVISIONS

| REV. | DESCRIPTION | DATE | APPROVED |
|------|----------------|----------|----------|
| 6 | UPDATED FORMAT | 12/01/05 | MAM |

EITHER ROTATION-SINGLE VOLTAGE-TYPE KC OR KH-WITH THERMAL PROTECTOR



NOTE #1 - TO REVERSE ROTATION INTERCHANGE RED (T8) AND BLACK (J9-KC OR T5-KH) LEADS.
NOTE #2 - WHEN MORE THAN ONE CAPACITOR IS USED CONNECT IN PARALLEL.

SWITCH (C) - 115D958AB

REF. DIAG. - 121A851

CONN. LABEL - 52X332048

| SIGNATURES | | DATE |
|-------------------------------|--------------------------|-------------------|
| MODEL | M. D. PAPE | 06/29/87 |
| DETAIL | . | . |
| CHECKED | . | . |
| ENGRG | . | . |
| MFG | . | . |
| FOR ADDITIONAL INFO REFER TO: | QUALITY | . |
| APPLIED PRACTICES | ISSUED | M. D. P. 03/08/00 |
| DIMENSIONS ARE IN INCHES | SOLID MODEL: 52A105379AA | |



REGAL-BELOIT CORPORATION

TITLE CONNECTION DIAGRAM

FMF - 30 FR SWITCH REDESIGN

SIZE DRAWING A 52A105379AA REV 6

SCALE: 1.000 REF. No: SHEET 1 of 1

