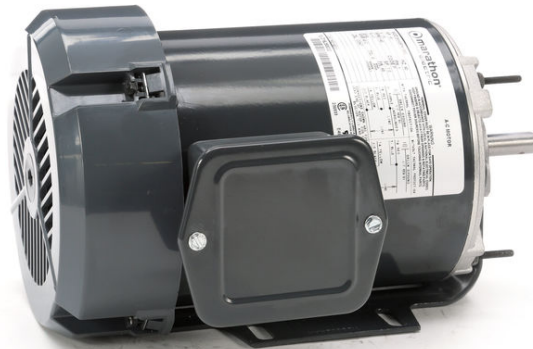


PRODUCT INFORMATION PACKET

Model No: 5KH36PN109
Catalog No: H233
1/6,1140,TEFC,48,1/60/115
Fan and Blower



Regal and Marathon are trademarks of Regal Beloit Corporation or one of its affiliated companies.
©2018 Regal Beloit Corporation, All Rights Reserved. MC017097E

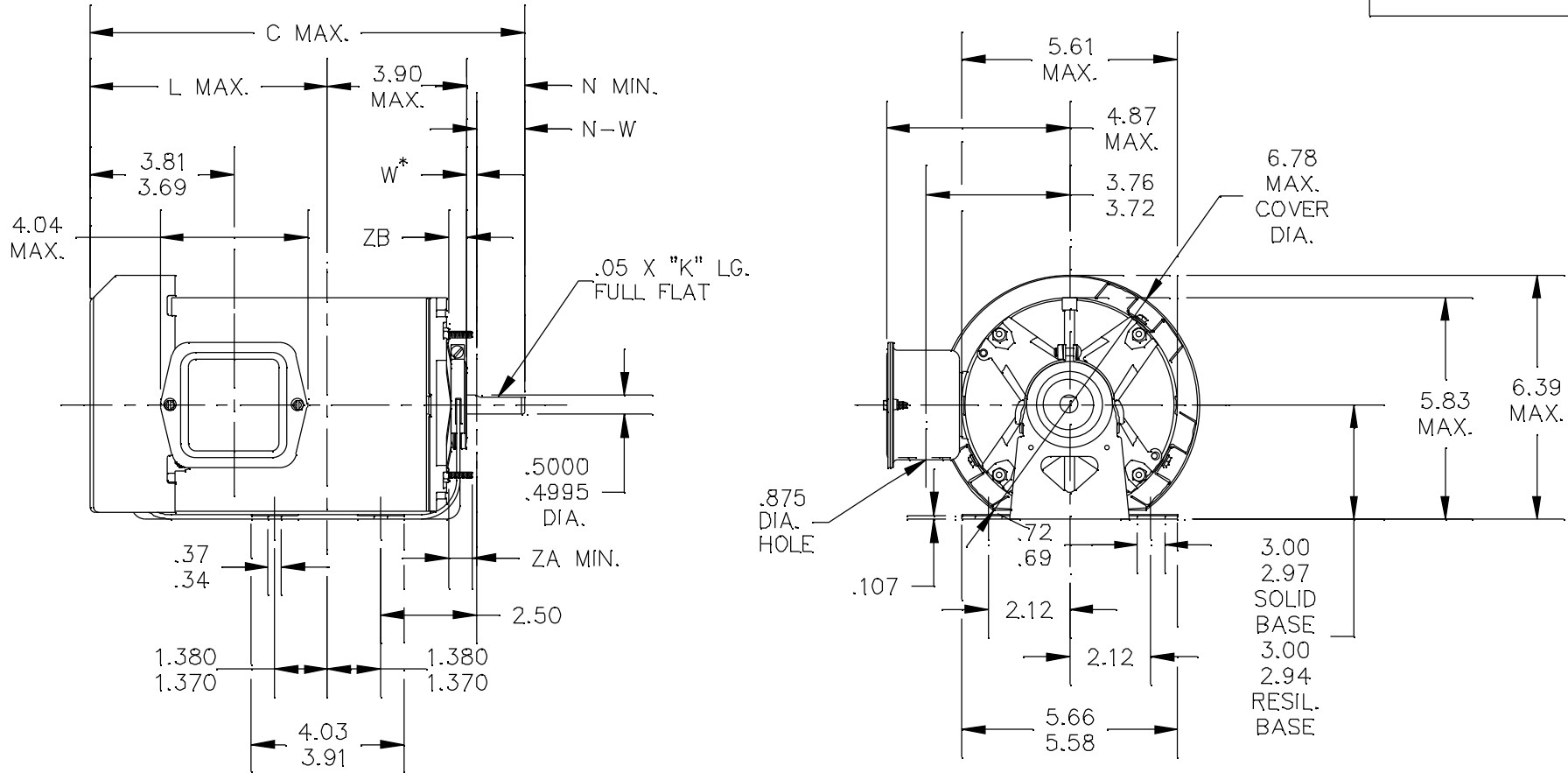
Nameplate Specifications

| | | | |
|------------------------|-------------------|----------------------------|------------------------------------|
| Output HP | 1/6 Hp | Output KW | 0.13 kW |
| Frequency | 60 Hz | Voltage | 115 V |
| Current | 4 A | Speed | 1140 rpm |
| Service Factor | 1 | Phase | 1 |
| Efficiency | 50.5 % | Duty | Continuous |
| Insulation Class | B | KVA Code | P |
| Frame | 48 | Enclosure | Totally Enclosed Fan Cooled |
| Overload Protector | N/R | Ambient Temperature | 40 °C |
| Drive End Bearing Size | 6203 | Opp Drive End Bearing Size | 6203 |
| UL | Recognized | CSA | Yes |
| CE | N | IP Code | 43 |

Technical Specifications

| | | | |
|-------------------|-----------------------|-----------------------|-----------------------------------|
| Electrical Type | Split Phase | Starting Method | SM |
| Poles | 6 | Rotation | Counterclockwise/Clockwise |
| Mounting | Resilient Base | Motor Orientation | ANY |
| Drive End Bearing | BALL | Opp Drive End Bearing | BALL |
| Frame Material | Rolled Steel | Overall Length | 11 in |
| Frame Length | 6.22 in | Shaft Diameter | 0.5 in |
| Shaft Extension | 1.5 in | Thru-bolts Extension | 0 |
| Outline Drawing | 52A102047P4 | Connection Diagram | 52A105377BA |

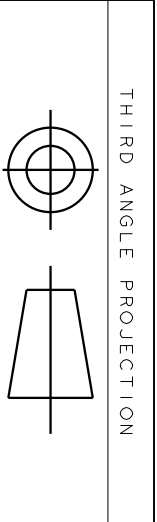
This is an uncontrolled document once printed or downloaded and is subject to change without notice. Date Created: 10/08/2018



W* IS A CLEARANCE DUE TO VARIATION IN PARTS AND ASSEMBLY

| | | | | | | | | | | | | | | | | | | | | | |
|---|------|----------|----------|-------|------|------|------|-----------|-----|---------|----|------|----------|----------|-------|------|------|------|-----------|-----|---------|
| 5 | KH | 37 | 48 | 11.38 | 6.00 | 1.50 | 1.16 | 1.63/1.41 | .62 | .55/.52 | 10 | KH | 32 | 48Z | 10.92 | 4.54 | 2.50 | 2.16 | 2.63/2.41 | .62 | .55/.52 |
| 4 | KH | 36 | 48 | 10.98 | 5.60 | 1.50 | 1.16 | 1.63/1.41 | .62 | .55/.52 | 9 | KH | 33 | 48 | 10.17 | 4.79 | 1.50 | 1.16 | 1.63/1.41 | .78 | .55/.52 |
| 3 | KH | 35 | 48 | 10.55 | 5.17 | 1.50 | 1.16 | 1.63/1.41 | .62 | .55/.52 | 8 | KH | 36 | 48Z | 11.06 | 5.60 | 1.88 | 1.54 | 2.01/1.79 | .62 | .55/.52 |
| 2 | KH | 33 | 48 | 10.17 | 4.79 | 1.50 | 1.16 | 1.63/1.41 | .62 | .55/.52 | 7 | KH | 35 | 48Z | 11.55 | 5.17 | 2.50 | 2.16 | 2.63/2.41 | .62 | .55/.52 |
| 1 | KH | 32 | 48 | 9.92 | 4.54 | 1.50 | 1.16 | 1.63/1.41 | .62 | .55/.52 | 6 | KH | 38 | 48 | 11.98 | 6.60 | 1.50 | 1.16 | 1.63/1.41 | .62 | .55/.52 |
| P | TYPE | RBC SIZE | NEMA FR. | C | L | N | K | N-W | ZA | ZB | P | TYPE | RBC SIZE | NEMA FR. | C | L | N | K | N-W | ZA | ZB |

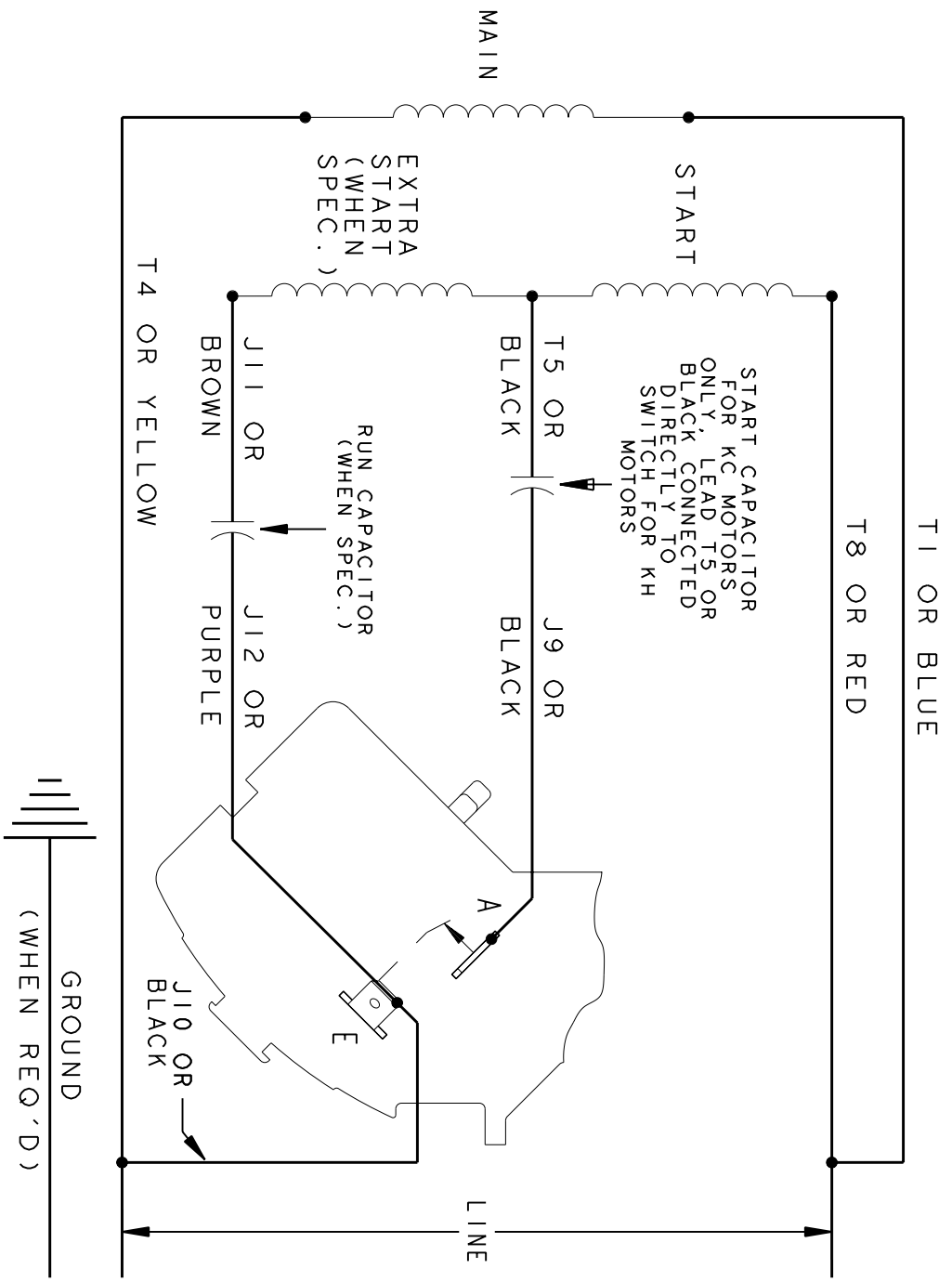
| | | | | TOLERANCES UNLESS SPECIFIED | | REGAL REGAL-BELOIT CORPORATION | | DRAWN FPK 12/16/96 | |
|--|-----------------------------------|-----------|----------|-----------------------------|----------|--------------------------------|---|--------------------|-------------------|
| | | | | DEC. | INCHES | | | CHK FPK 12/13/96 | |
| 15 | REDRAWN IN DRAFT SIGHT-NO CHANGES | UD | 10/17/12 | PKG | .X | ±0.1 | TITLE | | APPD AAU 12/12/96 |
| 14 | UPDATED AS PER IS 07-0652 | BL | 04/27/07 | | .XX | ±0.02 | OUTLINE | | SCALE 1=1 |
| 13 | CHG TO RBC FORMAT PER IS05-1777 | DS | 12/22/05 | | .XXX | ±0.005 | FORM N-TOTALLY ENCLOUTBOARD FAN-SOLID OR RESI | | REF |
| 12 | REDRAWN BY 2M SOFTWARE CO | AAU | 02/12/96 | | .XXXX | ±0.0005 | MAT'L. | | FMF |
| NO. | REVISION | BY & DATE | CHK | ANG | ±1.0 | FINISH | PREV | | |
| THIS DRAWING IN DESIGN AND DETAIL IS OUR PROPERTY AND MUST NOT BE USED EXCEPT IN CONNECTION WITH OUR WORK ALL RIGHTS OF DESIGN AND INVENTION ARE RESERVED THIS IS AN ELECTRONICALLY GENERATED DOCUMENT - DO NOT SCALE THIS PRINT | | | | RFP | CAD FILE | 52A102047 | SIZE | DRAWING NO. | REV. |
| | | | | DIST | | | A | 52A102047 | 15 |



| REV. | DESCRIPTION | DATE | APPROVED |
|------|----------------|----------|----------|
| 6 | UPDATED FORMAT | 11/11/05 | MAM |

REVISIONS

CCW/CW ROTATION - SINGLE VOLTAGE
TYPE KC, KCR OR KH



NOTE #1 - TO REVERSE ROTATION INTERCHANGE BLUE (T1) AND YELLOW (T4) LEADS.

NOTE #2 - WHEN MORE THAN ONE CAPACITOR IS USED CONNECT IN PARALLEL.

| | | | |
|-------------------------------|--------------------------|------------------------|----------|
| REF. DIAG. - 113A328 | | SWITCH (C) - 115D958AA | |
| CONNECTION LABEL - 52X332919 | | | |
| SIGNATURES | | DATE | |
| MODEL | M.D. PAPER | 06/29/87 | |
| DETAIL | | | |
| CHECKED | | | |
| ENGRG | | | |
| MFG | | | |
| FOR ADDITIONAL INFO REFER TO: | | | |
| APPLIED PRACTICES | QUALITY | | |
| DIMENSIONS ARE IN INCHES | ISSUED | M.D.P. | 01/20/99 |
| MATERIAL | SOLID MODEL: 52A105377BA | | |



REGAL-BELOMT CORPORATION

REGAL-BELOMT CONNECTION DIAGRAM

FME: 30 FRAME SWITCH REDESIGN

52A105377BA

REV 6

SCALE: 1.000 REF. No.: SHEET 1 of 1