

# PRODUCT INFORMATION PACKET

Model No: 5KH33JNA534T  
Catalog No: 4735  
1/2,1725,OPEN,48Y,1/60/115  
Fan and Blower Motors



Regal and Marathon are trademarks of Regal Rexnord Corporation or one of its affiliated companies.  
©2021 Regal Rexnord Corporation, All Rights Reserved. MC017097E

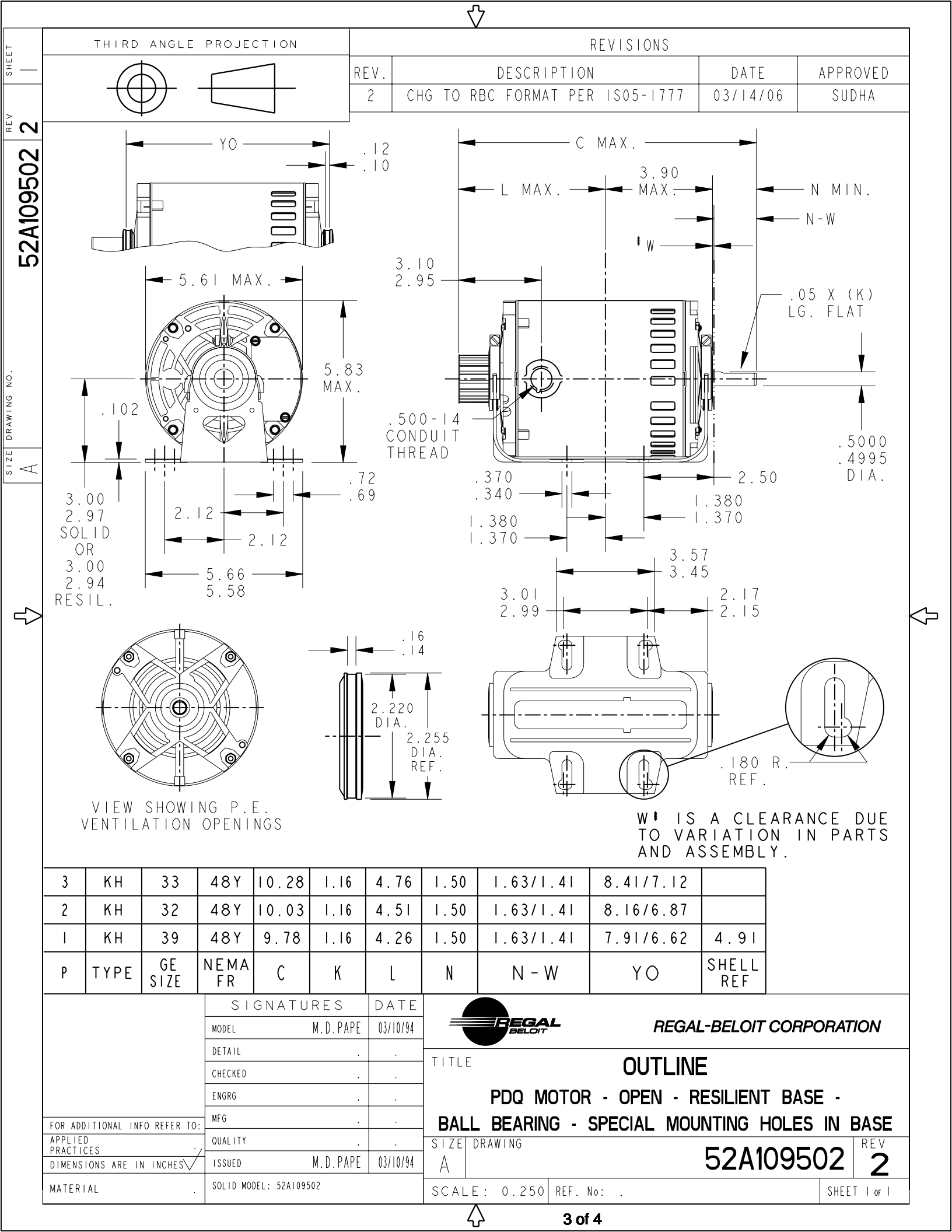
### Nameplate Specifications

Output HP	<b>0.50 Hp</b>	Output KW	<b>0.37 kW</b>
Frequency	<b>60 Hz</b>	Voltage	<b>115 V</b>
Current	<b>7.9 A</b>	Speed	<b>1725 rpm</b>
Service Factor	<b>1.25</b>	Phase	<b>1</b>
Efficiency	<b>62.5 %</b>	Power Factor	<b>0</b>
Duty	<b>Continuous</b>	Insulation Class	<b>B</b>
KVA Code	<b>N</b>	Frame	<b>48Y</b>
Enclosure	<b>Open Enclosed</b>	Thermal Protection	<b>AUTO</b>
Ambient Temperature	<b>40 °C</b>	Drive End Bearing Size	<b>6203</b>
Opp Drive End Bearing Size	<b>6203</b>	UL	<b>Recognized</b>
CSA	<b>Yes</b>	CE	<b>N</b>
Number of Speeds	<b>1</b>		

### Technical Specifications

Electrical Type	<b>Split Phase</b>	Starting Method	<b>SM</b>
Poles	<b>4</b>	Rotation	<b>Clockwise/Counterclockwise</b>
Mounting	<b>Resilient Base</b>	Motor Orientation	<b>ANY</b>
Drive End Bearing	<b>BALL</b>	Opp Drive End Bearing	<b>Ball</b>
Frame Material	<b>Rolled Steel</b>	Overall Length	<b>10.28 in</b>
Frame Length	<b>5.41 in</b>	Shaft Diameter	<b>0.500 in</b>
Shaft Extension	<b>1.5 in</b>	Thru-bolts Extension	<b>0 in</b>
Outline Drawing	<b>52A109502P3</b>	Connection Drawing	<b>52A105379AA</b>

This is an uncontrolled document once printed or downloaded and is subject to change without notice. Date Created:10/12/2021



3	KH	33	48Y	10.28	1.16	4.76	1.50	1.63/1.41	8.41/7.12	
2	KH	32	48Y	10.03	1.16	4.51	1.50	1.63/1.41	8.16/6.87	
1	KH	39	48Y	9.78	1.16	4.26	1.50	1.63/1.41	7.91/6.62	4.91
P	TYPE	GE SIZE	NEMA FR	C	K	L	N	N-W	YO	SHELL REF

SIGNATURES		DATE
MODEL	M.D. PAPE	03/10/94
DETAIL	.	.
CHECKED	.	.
ENGRG	.	.
MFG	.	.
FOR ADDITIONAL INFO REFER TO:	QUALITY	.
APPLIED PRACTICES	ISSUED	M.D. PAPE 03/10/94
DIMENSIONS ARE IN INCHES ✓	SOLID MODEL: 52A109502	

**REGAL-BELOIT CORPORATION**

**OUTLINE**

**PDQ MOTOR - OPEN - RESILIENT BASE - BALL BEARING - SPECIAL MOUNTING HOLES IN BASE**

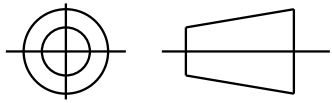
SIZE DRAWING: A

SCALE: 0.250 REF. No: .

SHEET 1 of 1

SHEET 6  
REV 6  
52A105379AA  
SIZE DRAWING NO. A

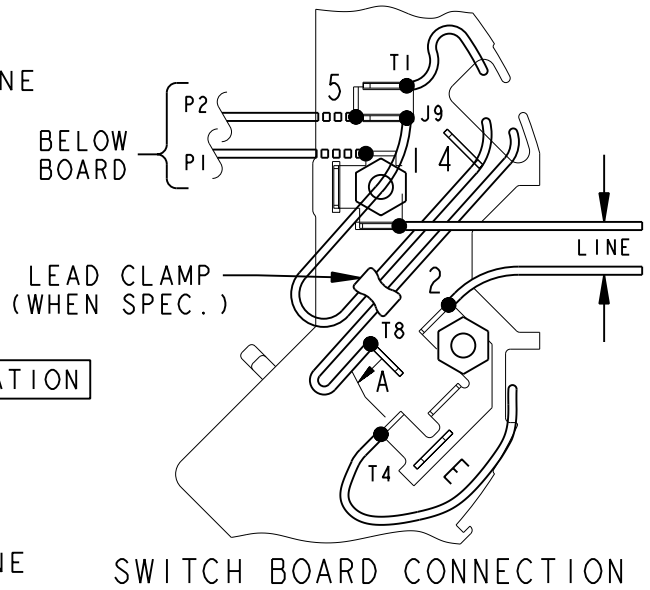
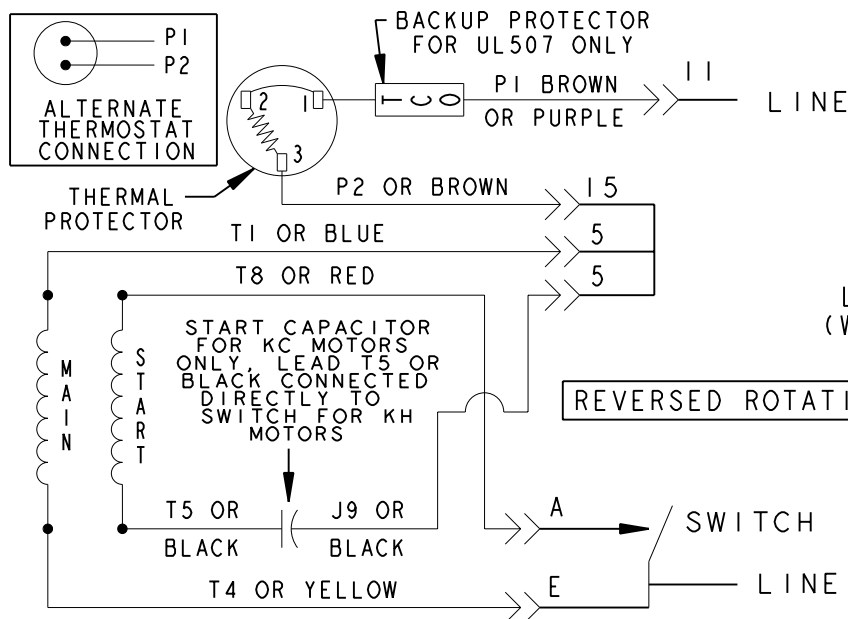
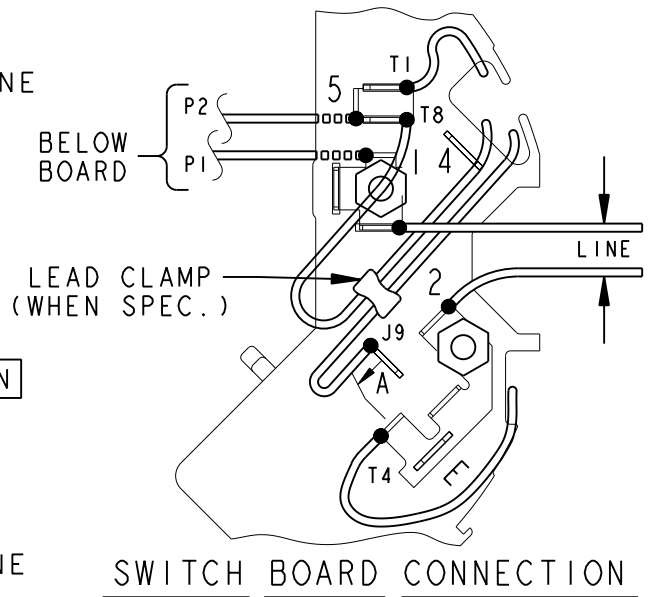
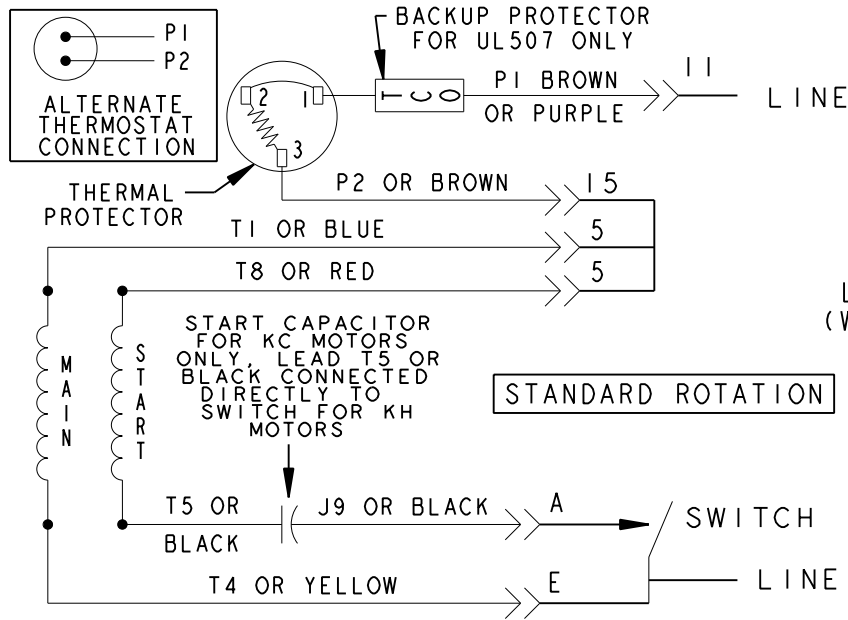
THIRD ANGLE PROJECTION



REVISIONS

REV.	DESCRIPTION	DATE	APPROVED
6	UPDATED FORMAT	12/01/05	MAM

EITHER ROTATION-SINGLE VOLTAGE-TYPE KC OR KH-WITH THERMAL PROTECTOR



NOTE #1 - TO REVERSE ROTATION INTERCHANGE RED (T8) AND BLACK (J9-KC OR T5-KH) LEADS.  
NOTE #2 - WHEN MORE THAN ONE CAPACITOR IS USED CONNECT IN PARALLEL.

SWITCH (C) - 115D958AB

REF. DIAG. - 121A851

CONN. LABEL - 52X332048

SIGNATURES		DATE
MODEL	M. D. PAPE	06/29/87
DETAIL	.	.
CHECKED	.	.
ENGRG	.	.
MFG	.	.
FOR ADDITIONAL INFO REFER TO:	QUALITY	.
APPLIED PRACTICES	ISSUED	M. D. P. 03/08/00
DIMENSIONS ARE IN INCHES	SOLID MODEL: 52A105379AA	



REGAL-BELOIT CORPORATION

TITLE CONNECTION DIAGRAM

FMF - 30 FR SWITCH REDESIGN

SIZE DRAWING A 52A105379AA REV 6

SCALE: 1.000 REF. No: SHEET 1 of 1