

PRODUCT INFORMATION PACKET

Model No: 5KC49GN0022X

Catalog No: C1153

General Purpose Motor, 0.50 HP, 1 Ph, 60 Hz, 115/208-230 V, 1800 RPM, 56 Frame, DP



Regal and Marathon are trademarks of Regal Rexnord Corporation or one of its affiliated companies.

©2022 Regal Rexnord Corporation, All Rights Reserved. MC017097E



Nameplate Specifications

Output HP	0.50 Hp	Output KW	0.37 kW
Frequency	60 Hz	Voltage	115/208-230 V
Current	8.6,4.1-4.3 A	Speed	1725 rpm
Service Factor	1.25	Phase	1
Efficiency	52.5 %	Power Factor	0
Duty	Continuous	Insulation Class	B
KVA Code	K	Frame	56
Enclosure	Drip Proof	Thermal Protection	Automatic
Ambient Temperature	40 °C	Drive End Bearing Size	6203
Opp Drive End Bearing Size	6203	UL	Recognized
CSA	Yes	CE	N
Number of Speeds	1		

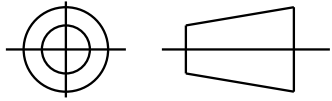
Technical Specifications

Electrical Type	Capacitor Start Induction Run	Starting Method	SM
Poles	4	Rotation	Counterclockwise/Clockwise
Mounting	Resilient Base	Motor Orientation	ANY
Drive End Bearing	BALL	Opp Drive End Bearing	Ball
Frame Material	Rolled Steel	Overall Length	10.38 in
Frame Length	6.15 in	Shaft Diameter	0.630 in
Shaft Extension	1.88 in		
Connection Drawing	52A105383AA	Outline Drawing	52A107737P7

This is an uncontrolled document once printed or downloaded and is subject to change without notice. Date Created:11/28/2022

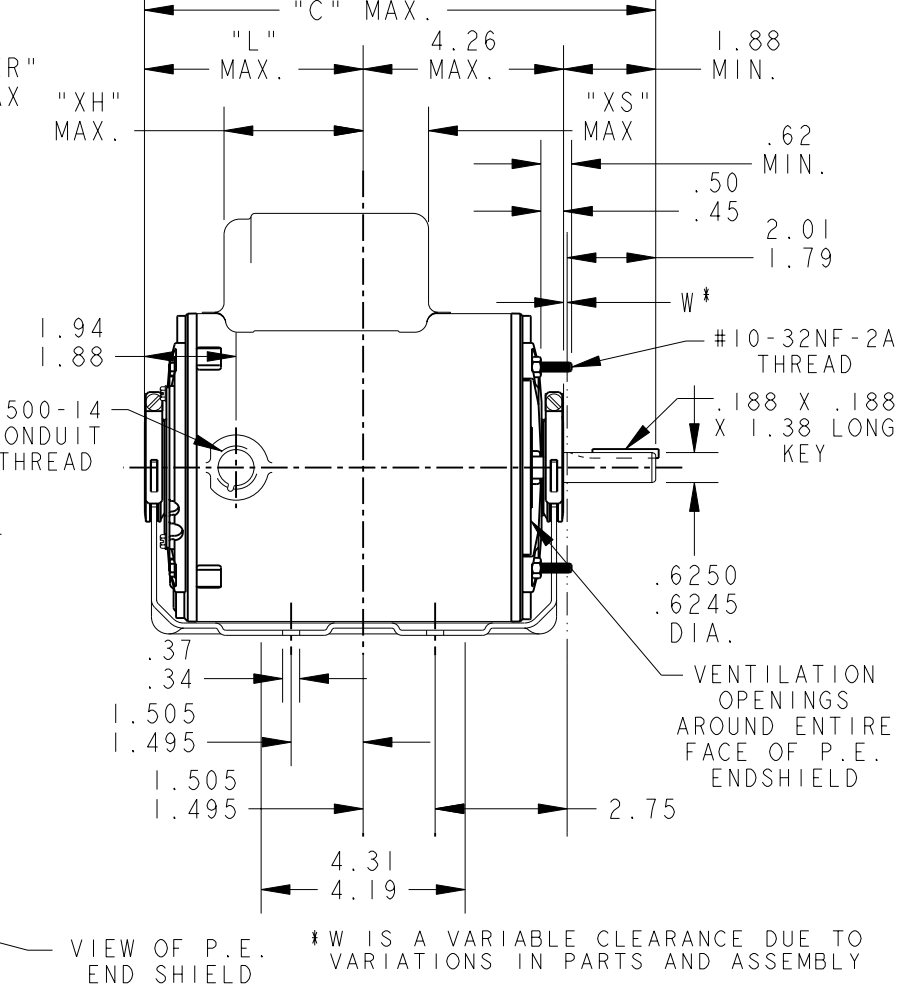
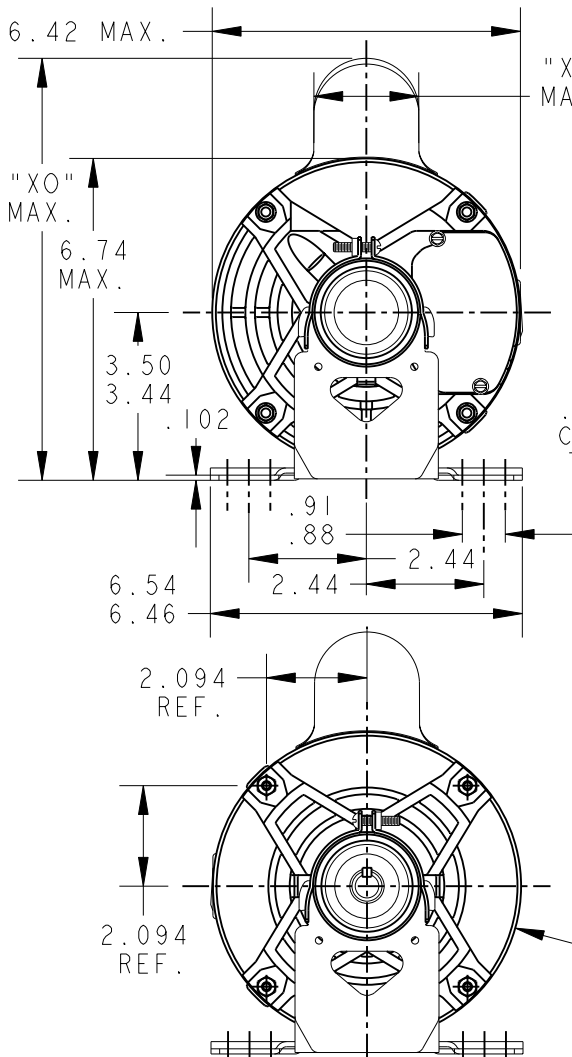
SHEET
REV
52A107737 7
SIZE DRAWING NO.
A

THIRD ANGLE PROJECTION



REVISIONS

REV.	DESCRIPTION	DATE	APPROVED
7	UPDATED PT# 10 PER ISAAC 06-0996	05/17/06	PRAVEEN.K




VIEW OF P.E. END SHIELD *W IS A VARIABLE CLEARANCE DUE TO VARIATIONS IN PARTS AND ASSEMBLY

ALL DIMENSIONS ARE IN INCHES

10	KC	49	56	10.38	4.22	2.72	8.84	2.22	2.72	6.15
9	KC	48	56	12.66	6.50	3.40	8.22	1.60	2.29	8.43
8	KC	46	56	10.78	4.62	2.44	8.84	2.22	2.10	6.55
7	KC	49	56	10.38	4.22	2.63	8.22	1.60	1.91	6.15
6	KC	49	56	11.38	5.22	3.63	8.22	1.60	2.12	7.15
5	KC	46	56	10.78	4.62	3.03	8.22	1.60	1.51	6.55
4	KC	42	56	9.95	3.79	2.20	8.22	1.60	2.34	5.72
3	KC	49	56	11.38	5.22	3.63	8.94	2.40	2.12	7.15
2	KC	42	56	9.95	3.79	2.20	8.84	2.22	2.34	5.72
1	KC	46	56	10.78	4.62	3.03	8.84	2.22	1.51	6.55
P	TYPE	GE SIZE	NEMA FR.	"C"	"L"	"XH"	"XO"	"XR"	"XS"	MIN. SHELL

SIGNATURES		DATE
MODEL	M.D. PAPE	10/10/91
DETAIL	.	.
CHECKED	.	.
ENGRG	.	.
MFG	.	.
FOR ADDITIONAL INFO REFER TO:	QUALITY	.
APPLIED PRACTICES	ISSUED	M.D. PAPE 05/17/99
DIMENSIONS ARE IN INCHES ✓	SOLID MODEL: 52A107737	



REGAL-BELOIT CORPORATION

TITLE **OUTLINE**

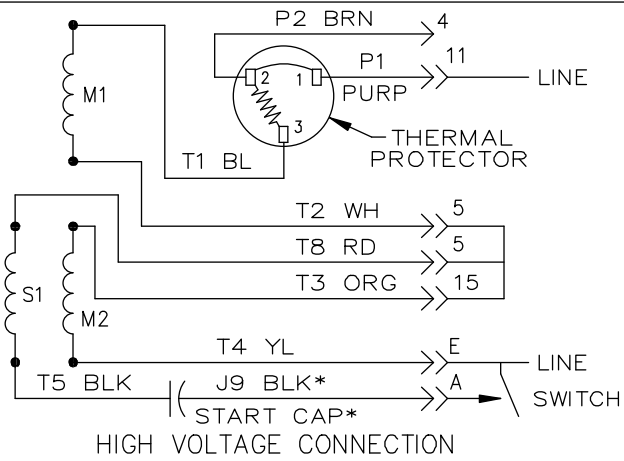
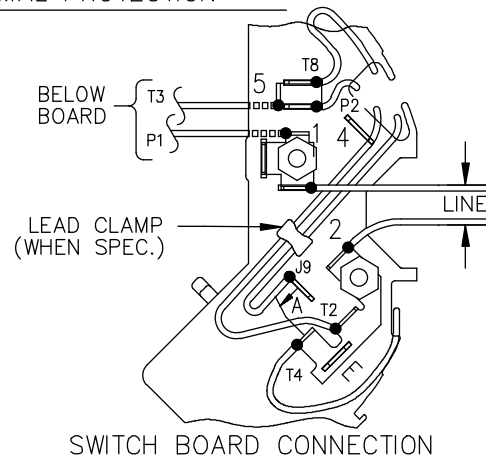
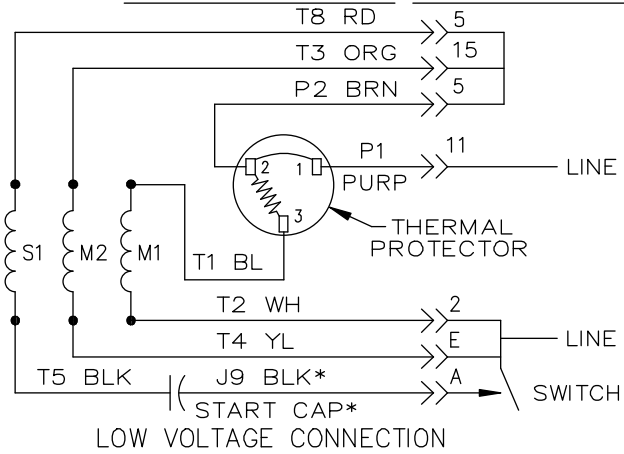
GENERAL PURPOSE MOTOR DRIP PROOF - BALL BEARING

- RESILIENT BASE EXTENDED CLAMP SCREWS FMF - 40 FRAME REDESIGN (5K42GN0022X)

SCALE: 0.250 REF. No: . SHEET 1 of 1

SIZE DRAWING	52A107737	REV
A	7	

EITHER ROTATION, DUAL VOLTAGE, TYPE KC OR KH, WITH THERMAL PROTECTION



NOTE #1 - START CAP & J9 WHEN SPECIFIED (*). IF NO CAPACITOR (KH), CONNECT T5 DIRECTLY TO SWITCH (A). WHEN MORE THAN ONE CAPACITOR IS USED, CONNECT IN PARALLEL.

NOTE #2 - TO REVERSE ROTATION, INTER CHANGE RD(T8) AND BLK(J9-KC OR T5-KH) LEADS.

SWITCH REF. - 115D958AB	CONNECTION LABEL	CCW ROTATION: NP52X332051AA
		CW ROTATION: NP52X332051AC

NO.	REVISION	BY & DATE	CHK	TOLERANCES UNLESS SPECIFIED		FINISH	DRAWN		
				DEC.	INCHES				
				.X	±0.1		M.D.P 06/29/87		
				.XX	±0.02		CHK		
				.XXX	±0.005		APPD M.D.P 03/26/96		
				.XXXX	±0.0005		SCALE 1=1		
5	ADDED CONNECTION LABEL PER ECO-0030779	UD 02/06/13	PKG	ANG	±1.0		REF		
4	UPDATED PER ISO7-0150	MD 01/23/07					FMF		
							PREV		
THIS DRAWING IN DESIGN AND DETAIL IS OUR PROPERTY AND MUST NOT BE USED EXCEPT IN CONNECTION WITH OUR WORK. ALL RIGHTS OF DESIGN AND INVENTION ARE RESERVED. THIS IS AN ELECTRONICALLY GENERATED DOCUMENT - DO NOT SCALE THIS PRINT				RFP	CAD FILE	52A105383AA	SIZE	DRAWING NO.	REV.
				DIST			A	52A105383AA	5



TITLE CONNECTION DIAGRAM
30 FRAME SWITCH REDESIGN