

PRODUCT INFORMATION PACKET

Model No: 365TTDS16072
Catalog No: M742
75,1800,DP,365HPV,3/60/230/460
Vertical Solid Shaft P-Base



Regal and Marathon are trademarks of Regal Beloit Corporation or one of its affiliated companies.
©2018 Regal Beloit Corporation, All Rights Reserved. MC017097E



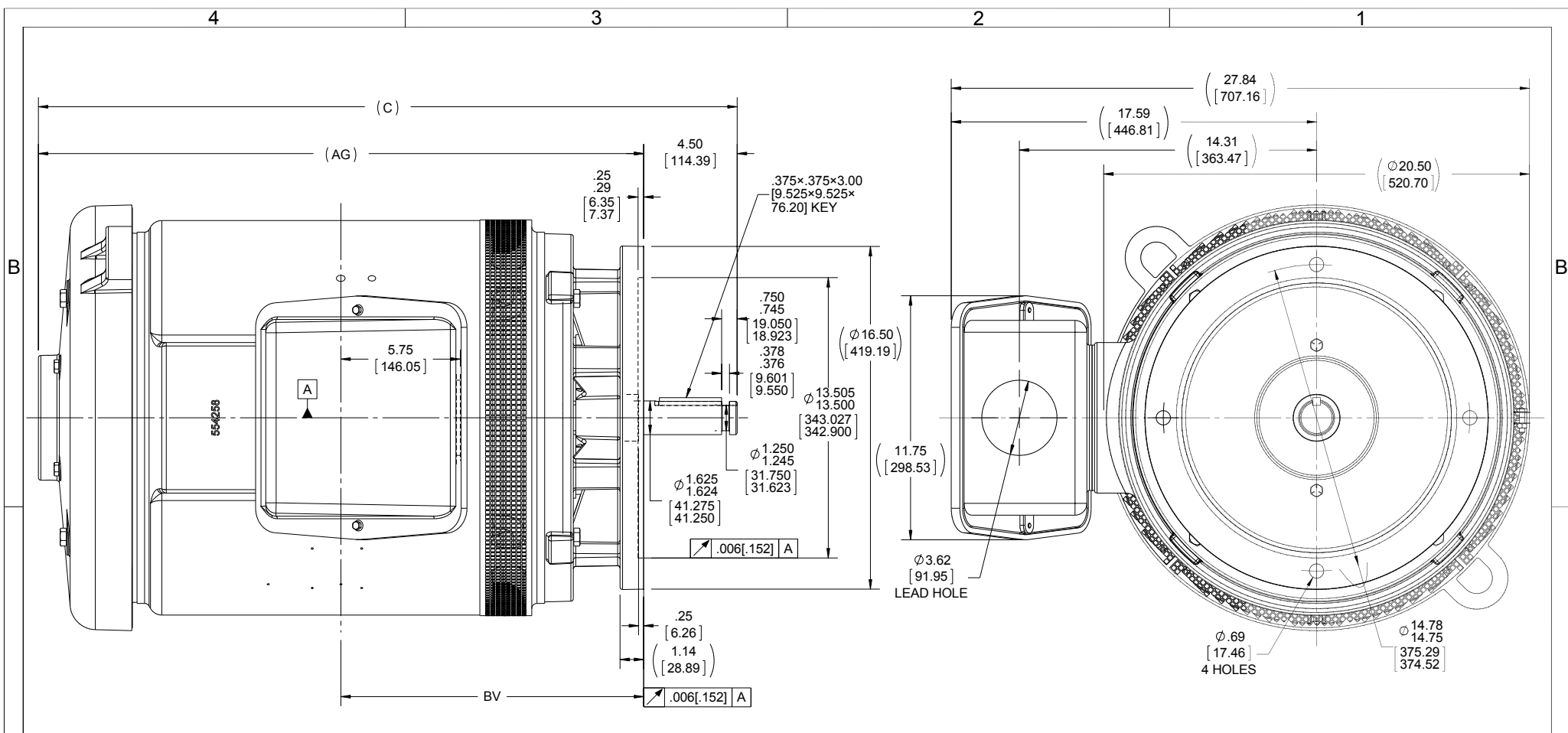
Nameplate Specifications

Output HP	75 Hp	Output KW	56.0 kW
Frequency	60 Hz	Voltage	230/460 V
Current	174.0/87.0 A	Speed	1780 rpm
Service Factor	1.15	Phase	3
Efficiency	95 %	Duty	Continuous
Insulation Class	F	Design Code	B
KVA Code	G	Frame	365HPV
Enclosure	Drip Proof	Overload Protector	No
Ambient Temperature	40 °C	Drive End Bearing Size	6312
Opp Drive End Bearing Size	6312	UL	Recognized
CSA	Y	CE	Y
IP Code	12		

Technical Specifications

Electrical Type	Squirrel Cage Induction Run	Starting Method	Across The Line
Poles	4	Rotation	Reversible
Mounting	Round	Motor Orientation	Shaft Down
Drive End Bearing	Ball	Opp Drive End Bearing	Double Angular Contact
Frame Material	Cast Iron	Shaft Type	HP
Overall Length	33.65 in	Frame Length	19.62 in
Shaft Diameter	1.625 in	Shaft Extension	4.5 in
Assembly/Box Mounting	F1/F2 Capable		
Outline Drawing	B-SS554645-1962	Connection Diagram	A-EE7308K

This is an uncontrolled document once printed or downloaded and is subject to change without notice. Date Created: 06/28/2018



- NOTES:
 1. CONDUIT BOX CAN BE ROTATED IN 90° STEPS.
 2. NAMEPLATES TO BE READ FROM SHAFT EXTENSION END OF MOTOR.

DASH	FRAME	C	AG	BV
1962	360HP	33.65 [854.71]	29.15 [740.41]	14.58 [370.33]

DRAWING REVISION C	REVISION BY AJW	DATE 09-24-2015
ECO ECO-0085754	APPROVED BY DJK	DATE 09-24-2015
ECO DESCRIPTION UPDATED TO CURRENT STANDARDS		
<small>COPYRIGHT REGAL BELOIT AMERICA, INC. ALL RIGHTS RESERVED. PROPRIETARY AND CONFIDENTIAL INFORMATION - THIS DOCUMENT IS THE PROPERTY OF REGAL BELOIT AMERICA, INC. ("OWNER") AND CONTAINS OWNER'S PROPRIETARY INFORMATION. ANY PERSON, CORPORATION OR OTHER FIRM RECEIVING IT IS DEEMED, BY RECEIVING IT, TO AGREE THAT IT, AND/OR ANY PART OF IT, SHALL NOT BE DISCLOSED TO ANY PERSON, CORPORATION OR OTHER ENTITY, DUPLICATED, AND/OR USED, EXCEPT AS EXPRESSLY APPROVED IN WRITING IN ADVANCE BY OWNER. THIS DOCUMENT SHALL BE RETURNED TO OWNER UPON REQUEST. IT MAY BE SUBJECT TO CERTAIN RESTRICTIONS UNDER APPLICABLE EXPORT CONTROL LAWS AND REGULATIONS.</small>		

TOLERANCES UNLESS OTHERWISE SPECIFIED:		
DEC.	INCH	mm
.X	+0.1	[+2.5]
.XX	+0.03	[+0.76]
.XXX	+0.005	[+0.127]
.XXXX	+0.0005	[+0.0127]
REMOVE BURRS & BREAK SHARP		
EDGES: .003/.015 [0.076/.381] X 45°		
CORNER FILLETS: R.02 [51]		
MACHINED SURFACES: 200 $\sqrt{\text{mm}}$ 5.1 $\sqrt{\text{INCH}}$		
mm SHOWN IN [BRACKETS]		

DRAWN BY TJW
DATE 10-04-2011
APPROVED BY LMC
DATE 10-05-2011
REFERENCE SS503458
THIRD ANGLE PROJECTION

Regal Beloit America, Inc.	
DESCRIPTION OUTLINE 360HP FR. - DR.PR. - P'BASE	
MATERIAL	PROCESS/FINISH
SIZE B	DRAWING NUMBER SS554645
SHEET 1 OF 1	

LOW VOLTAGE



HIGH VOLTAGE



VIEW OF TERMINAL END

			TOLERANCES UNLESS SPECIFIED		REGAL REGAL - BELOIT CORPORATION	DRAWN PGK 06-04-1997		
NO.	REVISION	BY & DATE	CHK	ANG		±	INCHES	PREV
E	CORRECTED IEC MARKINGS ECD-0111208	WGJ 01-23-2017	EMH	DEC.			CHK ML 06-05-1997	
D	RE-DRAWN WITH REGAL LOGO ECD-0110493	WGJ 09-30-2016	EMH	.X	±.1		APPD GK 06-15-1997	
8	ADDED IEC DESIGNATIONS MU95020	TJW 4/30/2010	MJS	.XX	±.02	TITLE CONNECTION DIAGRAM	SCALE	
7	REVISED HIGH VOLTAGE L2 WAS L3 CN52600-354	MRB 09-21-1998		.XXX	±.005	DELTA CON. - 3Ø - 9 LEADS	REF	
6	REDRAWN ON CADD	PGK 06-05-1997		.XXXX	±.0005	MAT'L.	FMF	
					±7'30"	FINISH		
THIS DRAWING IN DESIGN AND DETAIL IS OUR PROPERTY AND MUST NOT BE USED EXCEPT IN CONNECTION WITH OUR WORK ALL RIGHTS OF DESIGN AND INVENTION ARE RESERVED THIS IS AN ELECTRONICALLY GENERATED DOCUMENT - DO NOT SCALE THIS PRINT			RFP	CAD FILE EE7308K		SIZE A	DRAWING NO. EE7308K	PAGE OF REV. E
			DIST					

CERTIFICATION DATA SHEET

Model#: 365TTDS16072 AN **WINDING#:** T3654147 NONE 1
CONN. DIAGRAM: A-EE7308K **ASSEMBLY:** F1/F2 CAPABLE
OUTLINE: B-SS554645-1962

TYPICAL MOTOR PERFORMANCE DATA

HP	KW	SYNC. RPM	F.L. RPM	FRAME	ENCLOSURE	KVA CODE	DESIGN			
75	56	1800	1780	365HPV	DP	G	B			
PH	Hz	VOLTS	FL AMPS	START TYPE	DUTY	INSL	S.F	AMB°C	ELEVATION	
3	60	230/460	174/87	ACROSS THE LINE	CONTINUOUS	F1	1.15	40	3300	
FULL LOAD EFF: 95		3/4 LOAD EFF: 95		1/2 LOAD EFF: 95		GTD. EFF		ELEC. TYPE		NO LOAD AMPS
FULL LOAD PF: 85		3/4 LOAD PF: 82		1/2 LOAD PF: 75.5		94.5		SQ CAGE IND RUN		56 / 28
F.L. TORQUE		LOCKED ROTOR AMPS		L.R. TORQUE		B.D. TORQUE		F.L. RISE°C		
222 LB-FT		1084 / 542		375 LB-FT 169		575 LB-FT 259		45		
SOUND PRESSURE @ 3 FT.	SOUND POWER	ROTOR WK^2	MAX. WK^2	SAFE STALL TIME	STARTS /HOUR	APPROX. MOTOR WGT				
75 dBA	85 dBA	15 LB-FT^2	400 LB-FT^2	20 SEC.	2	875 LBS.				

***** SUPPLEMENTAL INFORMATION *****

DE BRACKET TYPE	ODE BRACKET TYPE	MOUNT TYPE	ORIENTATION	SEVERE DUTY	HAZARDOUS LOCATION	DRIP COVER	SCREENS	PAINT
P-BASE	STANDARD	ROUND	SHAFT DOWN	FALSE	NONE	FALSE	NONE	BLUE (ENAMEL)

BEARINGS		GREASE	SHAFT TYPE	SPECIAL DE	SPECIAL ODE	SHAFT MATERIAL	FRAME MATERIAL
DE	OPE						
BALL	DOUBLE ANGULAR CONTACT	POLYREX EM	HP	NONE	NONE	1045 HOT ROLLED (C-204)	CAST IRON
6312	6312						

THERMO-PROTECTORS				THERMISTORS	CONTROL	SPACE /n HEATERS
THERMOSTATS	PROTECTORS	WDG RTDs	BRG RTDs			
NONE	NOT	NONE	NONE	NONE	FALSE	NONE VOLTS

If Inverter equals NONE, contact factory for further information

INVERTER TORQUE: NONE
INV. HP SPEED RANGE: NONE
ENCODER: NONE
NONE NONE
NONE NONE PPR
BRAKE: NONE NONE
NONE P/N NONE
NONE NONE
NONE FT-LB NONE V NONE Hz

*
N
O
T
E
S
*

DATE: 06/22/2017 12:35:41 AM
 FORM 3531 REV.3 02/07/99

** Subject to change without notice.

Data Sheet

366TTDS16072



Submittal
Data @ 460 V

Date: 6/29/2017

Customer: _____
Attention: _____
Submitted by: **FAREEDA DUDEKULA**

Motor Load Data

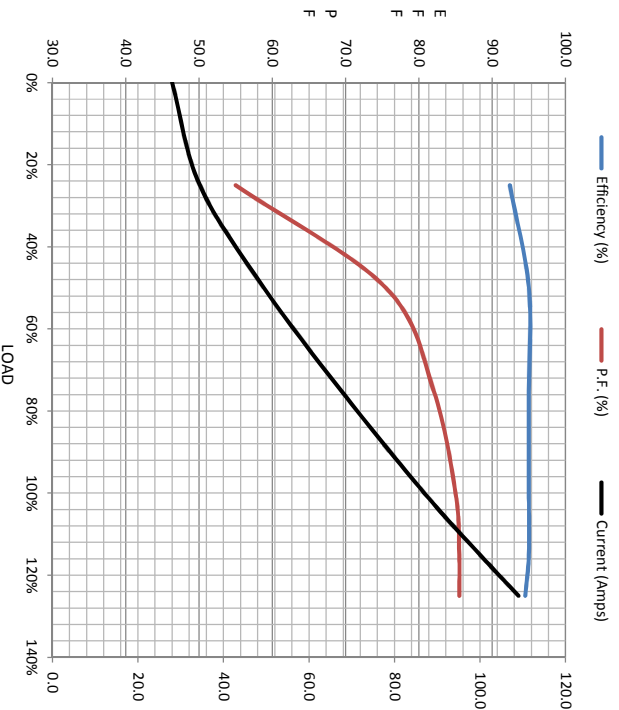
Load	0%	25%	50%	75%	100%	115%	125%	LR
Current (Amps)	28.0	34.5	49.5	67.5	87.0	100	109	542
Torque (ft-lb)	0.00	55.0	110	166	222	255	278	375
RPM	1800	1795	1790	1785	1780	1,775	1772	0
Efficiency (%)		92.4	95.0	95.0	95.0	95.0	94.5	
P.F. (%)	5.0	55.0	75.5	82.0	85.0	85.5	85.5	35.0

Motor Speed Data

	LR	Pull-Up	BD	Rated	Idle
Speed (rpm)	0	900	1700	1780	1800
Current (Amps)	542	500	325	87.0	28.0
Torque (ft-lb)	375	350	575	222	0.00

Information Block

HP	75.0			
Sync. RPM	1800			
Frame	365			
Enclosure	DP			
Construction	TDS			
Voltage	230/460 V			
Frequency	60 Hz			
Design	A			
LR Code letter	G			
Service Factor	1.15			
Temp Rise @ FL	45 °C			
Duty	CONT			
Ambient	40 °C			
Elevation	1,000 feet			
Rotor/Shaft wkt	15.0 Lb-Fe			
Rel Wdg	T3654147 NONE			
Sound Pressure @ 1M	75 dbA			
VFD Rating	NONE			
Outline Dwg	B-SS554645-1962			
Conn. Diag	A-EE7308K			
Additional Specifications:				
EQUIV CKT (OHMS / PHASE)				
R1	R2	X1	X2	Xm
0.0560	0.0340	0.3450	0.4010	8.6550



Speed -Torque Curve

