

PRODUCT INFORMATION PACKET

Model No: 213TTDWD16342
Catalog No: M807B
7 1/2, 1800, DP, 213HPV, 3/60/230/460
Vertical Pump



Regal and Marathon are trademarks of Regal Beloit Corporation or one of its affiliated companies.
©2018 Regal Beloit Corporation, All Rights Reserved. MC017097E



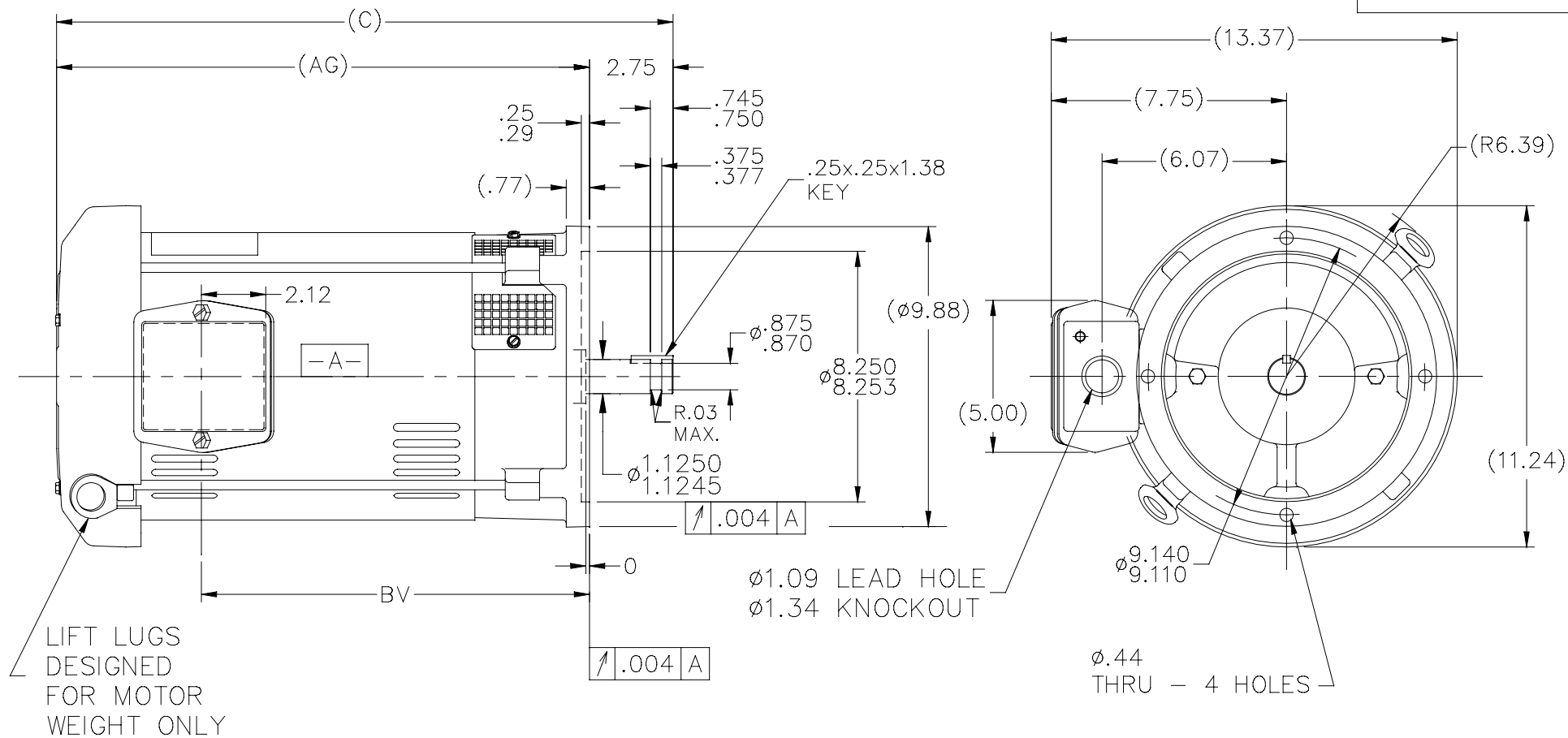
Nameplate Specifications

Output HP	7.50 Hp	Output KW	5.6 kW
Frequency	60 Hz	Voltage	230/460 V
Current	20.0/10.0 A	Speed	1765 rpm
Service Factor	1.15	Phase	3
Efficiency	91 %	Duty	Continuous
Insulation Class	F	Design Code	B
KVA Code	H	Frame	213HPV
Enclosure	Drip Proof	Overload Protector	No
Ambient Temperature	40 °C	Drive End Bearing Size	6309
Opp Drive End Bearing Size	6206	UL	Recognized
CSA	Y	CE	Y
IP Code	22		

Technical Specifications

Electrical Type	Squirrel Cage Induction Run	Starting Method	Across The Line
Poles	4	Rotation	Reversible
Mounting	Round	Motor Orientation	Shaft Down
Drive End Bearing	Ball	Opp Drive End Bearing	Ball
Frame Material	Rolled Steel	Shaft Type	HP
Overall Length	20.3 in	Frame Length	11.15 in
Shaft Diameter	1.125 in	Shaft Extension	2.75 in
Assembly/Box Mounting	F1/F2 Capable		
Outline Drawing	SS86651-1115	Connection Diagram	005010.01

SS86651



DASH	FR.	C	AG	BV
965	213HP	18.80	16.05	11.28
1115	213/15HP	20.30	17.55	12.78
1240	213/15HP	21.55	18.80	14.03

- NOTES:
 1. NAMEPLATE TO BE READ FROM SHAFT EXT. END OF MOTOR.
 2. BOX CAN BE MOUNTED IN 90° STEPS.

NO.	REVISION	BY & DATE	CHK	ANG	FINISH	TOLERANCES UNLESS SPECIFIED		DRAWN PGK 06-10-1997			
						DEC.	INCHES				
5	REGAL LOGO ADDED.	SYED 10/09/2015						CHK ML 06-12-1997			
4	UPDATED DRAWING	TJW 04/30/2007		.X	±.1			APPD DR 06-24-1997			
3	REDRAWN IN AUTOCAD	TAT 07-22-2004	ML	.XX	±.03	TITLE OUTLINE - P' BASE 210HP FR. - DR.PR.		SCALE 1=5			
2	UPDATED C'BOX GEOMETRY	CN 28425 DRS 01-12-2000		.XXX	±.005			REF			
1	NEW DRAWING	PGK 07-07-1997		.XXXX	±.0005	MAT'L.		FMF			
						RFP	CAD FILE ss86651	SIZE A	DRAWING NO. SS86651	PAGE OF	REV. 5
						DIST LB					

THIS DRAWING IN DESIGN AND DETAIL IS OUR PROPERTY AND MUST NOT BE USED EXCEPT IN CONNECTION WITH OUR WORK ALL RIGHTS OF DESIGN AND INVENTION ARE RESERVED THIS IS AN ELECTRONICALLY GENERATED DOCUMENT - DO NOT SCALE THIS PRINT

005010-01

VIEW FROM OUTSIDE OF MOTOR AT SWITCH END.



VOLTAGE	L1	L2	L3	JOIN & INSULATE
HIGH	T1	T2	T3	(T4,T7) (T5,T8) (T6,T9)
LOW	T1,T7	T2,T8	T3,T9	T4,T5,T6

				TOLERANCES UNLESS SPECIFIED		REGAL ™ Regal Beloit America, Inc.		DRAWN RDW 04/12/02			
				DEC.	INCHES			CHK			
				.X	±.1			APPD			
				.XX	±.01			SCALE 1=1			
				.XXX	±.005	TITLE		REF FIG.2-51			
A	UPDATED TO REGAL LOGO		SAJ 06/26/15	AJY .XXXX	±.0005	MAT'L.		FMF			
NO.	REVISION		BY & DATE	CHK	ANG	±1/2"	FINISH		PREV		
THIS DRAWING IN DESIGN AND DETAIL IS OUR PROPERTY AND MUST NOT BE USED EXCEPT IN CONNECTION WITH OUR WORK ALL RIGHTS OF DESIGN AND INVENTION ARE RESERVED THIS IS AN ELECTRONICALLY GENERATED DOCUMENT - DO NOT SCALE THIS PRINT				RFP	04/12/02	CAD FILE		00501001	SIZE	DRAWING NO.	REV.
				DIST		BRF-NLV		A	005010-01	A	

Data Sheet

Date: 29-06-2017
 Customer: _____
 Attention: _____
 Submitted by: FAREEDA DUDEKULA

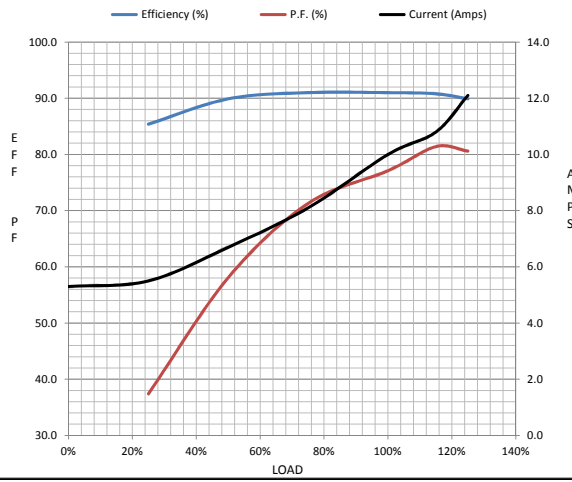


213TTDWD16342

Submittal
 Data @ 460 V

Motor Load Data									
Load	0%	25%	50%	75%	100%	115%	125%	LR	
Current (Amps)	5.3	5.5	6.7	8.1	10.0	10.8	12.1	61.0	
Torque (ft-lb)	0.00	5.5	11.0	16.6	22.3	25.5	28.0	45.3	
RPM	1800	1792	1784	1775	1765	1,755	1748	0	
Efficiency (%)		85.4	89.9	91.0	91.0	90.8	89.9		
P.F. (%)	5.2	37.4	58.1	71.3	77.1	81.4	80.6	44.8	

Motor Speed Data						Information Block	
	LR	Pull-Up	BD	Rated	Idle		
Speed (RPM)	0	700	1575	1765	1800	HP	7.5
Current (Amps)	61.0	55.0	37.0	10.0	5.3	Sync. RPM	1800
Torque (ft-lb)	45.3	40.0	66.1	22.3	0.00	Frame	213
						Enclosure	DP
						Construction	TDW
						Voltage	230/460 V
						Frequency	60 Hz
						Design	B
						LR Code letter	H
						Service Factor	1.15
						Temp Rise @ FL	35 ° C
						Duty	CONT
						Ambient	40 ° C
						Elevation	1,000 feet
						Rotor/Shaft wk²	0.85 Lb-FT²
						Ref Wdg	K2134278 NONE
						Sound Pressure @ 1M	66 dBA
						VFD Rating	NONE
						Outline Dwg	SS86651-1115
						Conn. Diag	005010.01



Additional Specifications:	
0	
365THFS8036	
EQUIV CKT (OHMS / PHASE)	
R1	R2
0.7600	0.5590
X1	X2
2.6080	3.6970
Xm	
	57.4560

