

PRODUCT INFORMATION PACKET

Model No: 184TTDB6032
Catalog No: GT0413
5,1800,DP,184JM,3/60/230/460
JM



Regal and Marathon are trademarks of Regal Beloit Corporation or one of its affiliated companies.
©2018 Regal Beloit Corporation, All Rights Reserved. MC017097E



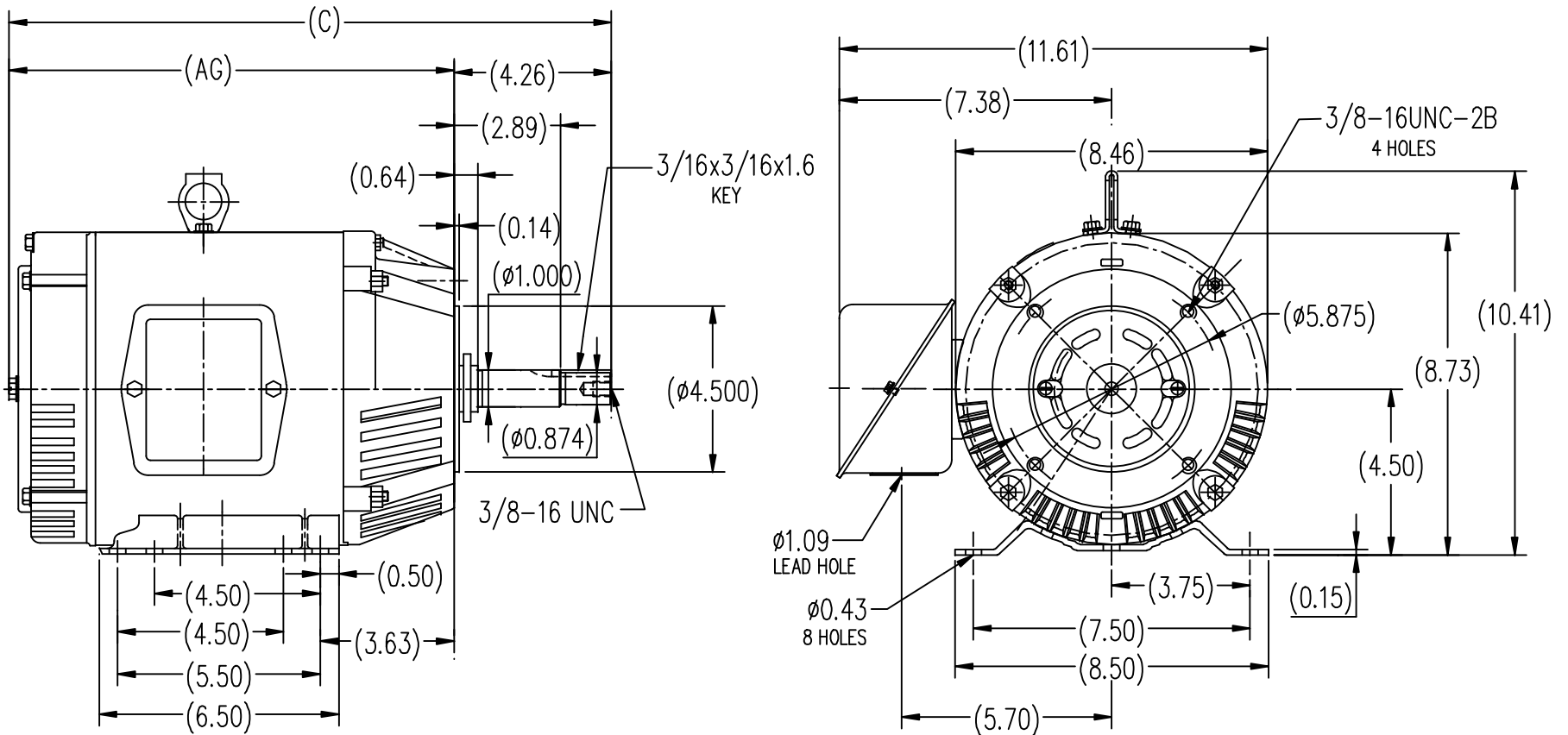
Nameplate Specifications

Output HP	5 Hp	Output KW	3.7 kW
Frequency	60 Hz	Voltage	230/460 V
Current	12.4/6.2 A	Speed	1740 rpm
Service Factor	1.15	Phase	3
Efficiency	89.5 %	Duty	Continuous
Insulation Class	F	Design Code	B
KVA Code	K	Frame	184JM
Enclosure	Drip Proof	Overload Protector	No
Ambient Temperature	40 °C	Drive End Bearing Size	6307
Opp Drive End Bearing Size	6205	UL	Recognized
CSA	Y	CE	Y
IP Code	22		

Technical Specifications

Electrical Type	Squirrel Cage Inverter Rated	Starting Method	Line Or Inverter
Poles	4	Rotation	Reversible
Mounting	Rigid base	Motor Orientation	Horizontal
Drive End Bearing	Ball	Opp Drive End Bearing	Ball
Frame Material	Rolled Steel	Shaft Type	JM
Overall Length	17.37 in	Shaft Diameter	0.875 in
Shaft Extension	4.26 in	Assembly/Box Mounting	F1 Only
Outline Drawing	B-SS620311	Connection Diagram	A-EE7308

This is an uncontrolled document once printed or downloaded and is subject to change without notice. Date Created: 06/29/2018

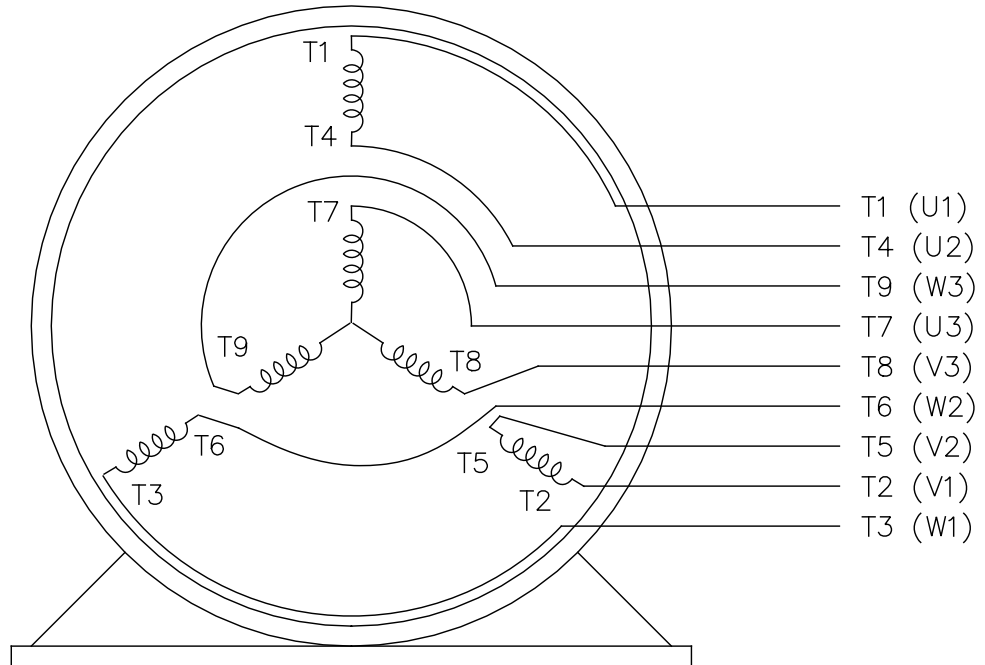


182T	12.09	16.34
184T	13.11	17.37
FRAME	AG	C

		TOLERANCES UNLESS SPECIFIED				DRAWN ZYH 6-9-2010		
		DEC.	INCHES			CHK HZJ 6-9-2010		
		.X	±.1	TITLE 182/184T FR-JM-ROLLED STEEL		APPD CL 6-9-2010		
		.XX	±.03			SCALE 1=4		
		.XXX	±.005			REF		
1	CORRECT THE ID FOR AG & C DIM WAS B1 & B	MOD1-09-2012	.XXXX	±.0005	MAT'L	FMF HWADA		
NO.	REVISION	BY & DATE	CHK	ANG	FINISH	PREV		
THIS DRAWING IN DESIGN AND DETAIL IS OUR PROPERTY AND MUST NOT BE USED EXCEPT IN CONNECTION WITH OUR WORK ALL RIGHTS OF DESIGN AND INVENTION ARE RESERVED THIS IS AN ELECTRONICALLY GENERATED DOCUMENT - DO NOT SCALE THIS PRINT			RFP	CAD FILE	SS620311	SIZE	DRAWING NO.	
			DIST			B	SS620311	
							REV.	1

EE7308

THREE PHASE
DUAL VOLTAGE MOTOR



VIEW OF TERMINAL END

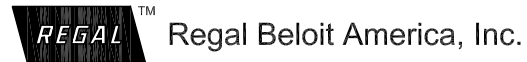
REF.
WINDING DIAGRAM

T8Y, T2Y, T2BL, T4BX, T2EC, T2G
T6BZ, T2B, T6BL, T4AV, T6B, T4B

OPTIONAL CORD
CONNECTION

L1 — WHITE
L2 — RED
L3 — BLACK

NO.	REVISION	BY & DATE	CHK	ANG	TOLERANCES UNLESS SPECIFIED		FINISH	DRAWN RM 11/20/1990				
					DEC.	INCHES						
5	CHG TO REGAL LOGO	SL 09/10/2015	AB					CHK ML 11/21/1990				
4	REVISED IEC NOTATIONS	MSG 11/15/2011	CMN	.X	±.1			APPD SAS 04/24/2003				
3	ADDED IEC NOTATIONS... (U1), (V1) ETC. MU95194	MSG 5/10/2010	MJS	.XX	±.02		TITLE CONNECTION DIAGRAM	SCALE 1=1				
2	ADDED THE OPTIONAL CORD CONNECTION MU46318	RDH 04/24/2003	DRS	.XXX	±.005		3Ø - DUAL VOLTAGE MOTOR	REF				
1	REDRAWN	RM 11/20/1990		.XXXX	±.0005		MAT'L.	FMF				
					±7'30"			PREV				
THIS DRAWING IN DESIGN AND DETAIL IS OUR PROPERTY AND MUST NOT BE USED EXCEPT IN CONNECTION WITH OUR WORK ALL RIGHTS OF DESIGN AND INVENTION ARE RESERVED THIS IS AN ELECTRONICALLY GENERATED DOCUMENT - DO NOT SCALE THIS PRINT							RFP	CAD FILE ee7308	SIZE A	DRAWING NO. EE7308	PAGE OF 5	REV. 5
							DIST WP					



CERTIFICATION DATA SHEET

Model#: 184TTDB6032 BA **WINDING#:** CHT18440008 NONE 1
CONN. DIAGRAM: A-EE7308 **ASSEMBLY:** F1/F2 CAPABLE
OUTLINE: B-SS620311

TYPICAL MOTOR PERFORMANCE DATA

HP	KW	SYNC. RPM	F.L. RPM	FRAME	ENCLOSURE	KVA CODE	DESIGN
5&3	3.70&2.24	1800	1755&1468	184JM	DP	K	B

PH	Hz	VOLTS	FL AMPS	START TYPE	DUTY	INSL	S.F	AMB°C	ELEVATION
3	60/50	230/460#190/ 380	12.4/6.2&9.6/4 .8	LINE OR INVERTER	CONTINUOUS	F7	1.15/1.0	40	3300

FULL LOAD EFF: 89.5&89.5	3/4 LOAD EFF: 90.2	1/2 LOAD EFF: 89.5	GTD. EFF	ELEC. TYPE	NO LOAD AMPS
FULL LOAD PF: 82&78	3/4 LOAD PF: 77	1/2 LOAD PF: 66	88.5	SQ CAGE INV RATED	5.6 / 2.8

F.L. TORQUE	LOCKED ROTOR AMPS	L.R. TORQUE	B.D. TORQUE	F.L. RISE°C
15.1 LB-FT	92 / 46	39 LB-FT 258	52 LB-FT 344	50

SOUND PRESSURE @ 3 FT.	SOUND POWER	ROTOR WK^2	MAX. WK^2	SAFE STALL TIME	STARTS /HOUR	APPROX. MOTOR WGT
67 dBA	77 dBA	0.5 LB-FT^2	30 LB-FT^2	20 SEC.	2	110 LBS.

***** SUPPLEMENTAL INFORMATION *****

DE BRACKET TYPE	ODE BRACKET TYPE	MOUNT TYPE	ORIENTATION	SEVERE DUTY	HAZARDOUS LOCATION	DRIP COVER	SCREENS	PAINT
C-FACE	STANDARD	RIGID	HORIZONTAL	FALSE	NONE	FALSE	NONE	BLUE (ENAMEL)

BEARINGS		GREASE	SHAFT TYPE	SPECIAL DE	SPECIAL ODE	SHAFT MATERIAL	FRAME MATERIAL
DE	OPE	POLYREX EM	JM	NONE	NONE	1045 HOT ROLLED (C-204)	ROLLED STEEL
BALL	BALL						
6307	6205						

THERMO-PROTECTORS				THERMISTORS	CONTROL	SPACE /n HEATERS
THERMOSTATS	PROTECTORS	WDG RTDs	BRG RTDs	NONE	FALSE	NONE VOLTS
NONE	NOT	NONE	NONE			

If Inverter equals NONE, contact factory for further information

*
N
O
T
E
S
*

INVERTER TORQUE: VARIABLE 10:1
INV. HP SPEED RANGE: NONE
ENCODER: NONE
NONE NONE
NONE NONE PPR
BRAKE: NONE NONE
NONE P/N NONE
NONE NONE
NONE FT-LB NONE V NONE Hz

DATE: 06/28/2017 06:29:04 AM
 FORM 3531 REV.3 02/07/99
 ** Subject to change without notice.

Data Sheet

Date: 19-06-2017
 Customer: _____
 Attention: _____
 Submitted by: FAREEDA DUDEKULA



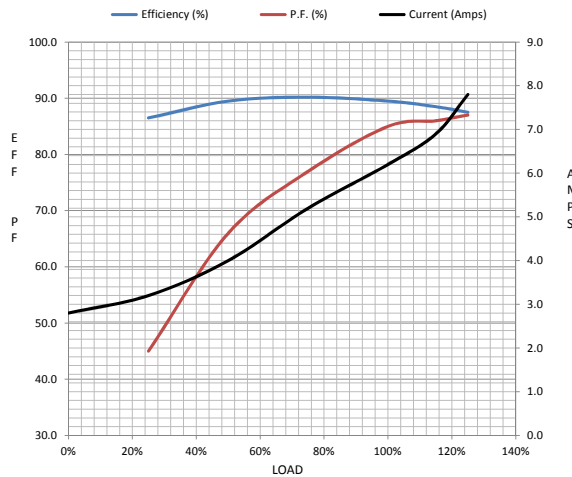
184TTDB6032

Submittal

Data @ 460 V

Motor Load Data								
Load	0%	25%	50%	75%	100%	115%	125%	LR
Current (Amps)	2.80	3.2	4.0	5.2	6.2	6.9	7.8	46.0
Torque (ft-lb)	0.00	3.7	7.4	11.2	15.1	17.4	19.0	39.0
RPM	1800	1790	1780	1755	1740	1,732	1725	0
Efficiency (%)		86.5	89.5	90.2	89.5	88.5	87.5	
P.F. (%)	6.0	45.0	66.0	77.0	85.0	86.0	87.0	46.0

Motor Speed Data						Information Block	
	LR	Pull-Up	BD	Rated	Idle		
Speed (RPM)	0	750	1450	1740	1800		
Current (Amps)	46.0	53.0	32.0	6.2	2.80		
Torque (ft-lb)	39.0	38.0	52.0	15.1	0.00		



HP	5.0			
Sync. RPM	1800			
Frame	184			
Enclosure	DP			
Construction	TDB			
Voltage	30/460#190/38V			
Frequency	60 Hz			
Design	B			
LR Code letter	J			
Service Factor	1.15			
Temp Rise @ FL	50 ° C			
Duty	CONT			
Ambient	40 ° C			
Elevation	1,000 feet			
Rotor/Shaft wk ²	0.50 Lb-Ft ²			
Ref Wdg	CHT18440008 NONE			
Sound Pressure @ 1M	67 dBA			
VFD Rating	VARIABLE 10:1			
Outline Dwg	B-SS620311			
Conn. Diag	A-EE7308			
Additional Specifications:				
0				
365THFS8036				
EQUIV CKT (OHMS / PHASE)				
R1	R2	X1	X2	Xm
1.3040	1.5310	3.9410	4.1160	108.5810

