

PRODUCT INFORMATION PACKET

Model No: 056C17F2051
Catalog No: G339
1/2, 1800, TEFC, 56, 1/60/115/208-230
Totally Enclosed Fan Cooled (TEFC)



Regal and Marathon are trademarks of Regal Beloit Corporation or one of its affiliated companies.
©2018 Regal Beloit Corporation, All Rights Reserved. MC017097E



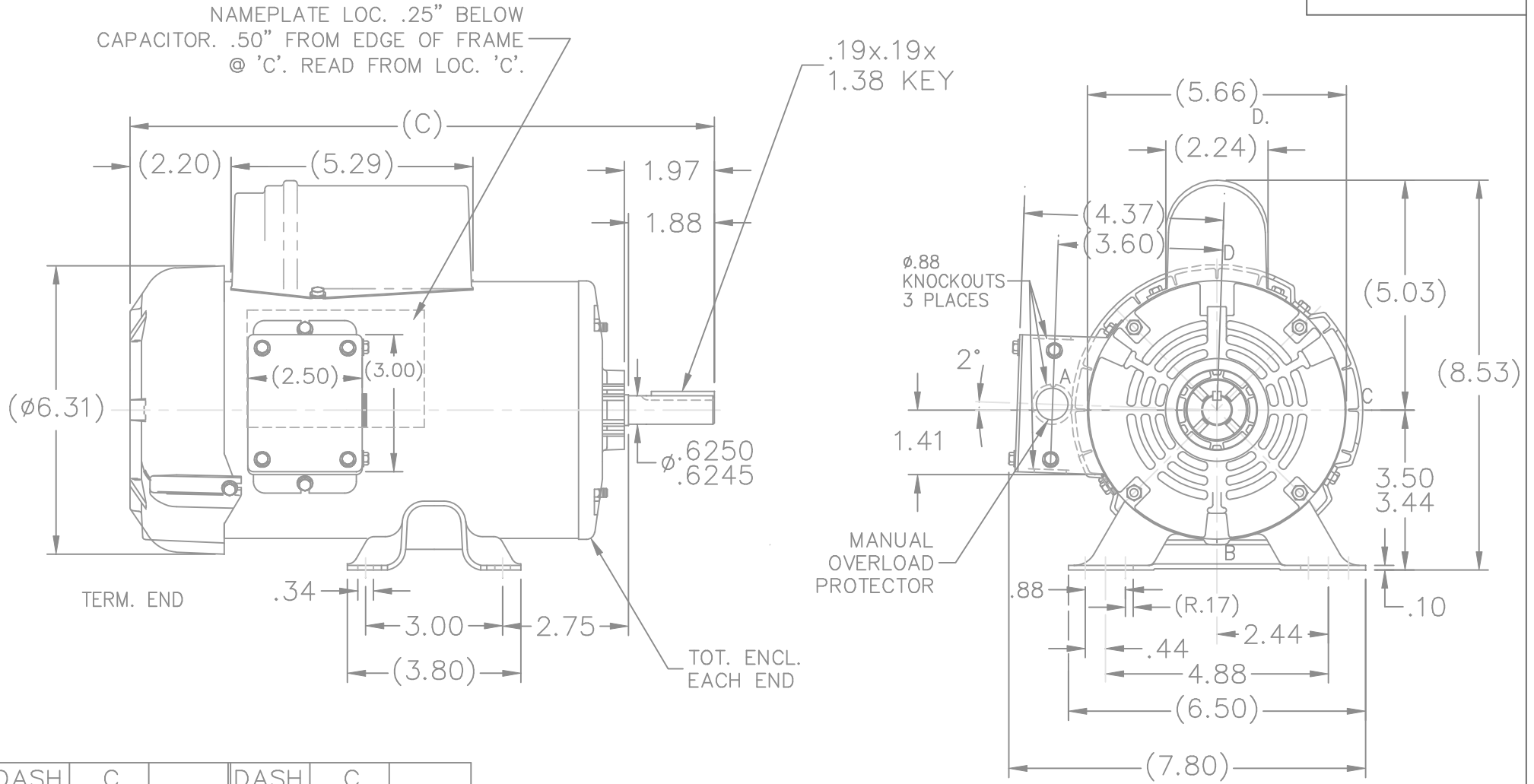


Nameplate Specifications

Output HP	0.50 Hp	Output KW	0.37 kW
Frequency	60 Hz	Voltage	115/208-230 V
Current	8.0/4.0-4.0 A	Speed	1725 rpm
Service Factor	1.15	Phase	1
Efficiency	66 %	Duty	Continuous
Insulation Class	B	Design Code	NO DESIGN CODE
KVA Code	M	Frame	56
Enclosure	Totally Enclosed Fan Cooled	Overload Protector	Manual
Ambient Temperature	40 °C	Drive End Bearing Size	6203
Opp Drive End Bearing Size	6203	UL	Recognized
CSA	Y	CE	N
IP Code	43		

Technical Specifications

Electrical Type	Capacitor Start Induction Run	Starting Method	Across The Line
Poles	4	Rotation	Selective Counterclockwise
Mounting	Rigid base	Motor Orientation	Horizontal
Drive End Bearing	Ball	Opp Drive End Bearing	Ball
Frame Material	Rolled Steel	Shaft Type	NEMA 56
Overall Length	11.22 in	Frame Length	6.25 in
Shaft Diameter	0.625 in	Shaft Extension	1.97 in
Assembly/Box Mounting	F1 Only		
Outline Drawing	A-SS75195-625	Connection Diagram	A-EE9023E

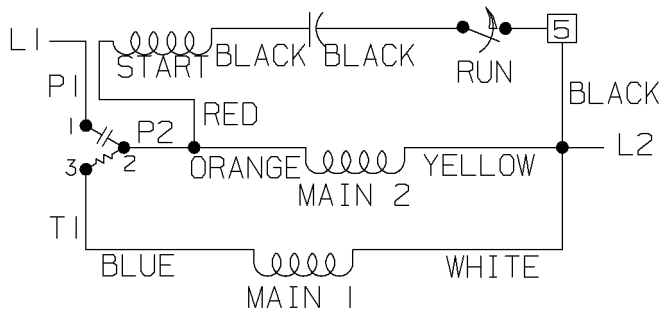


DASH	C	DASH	C
525	10.22	625	11.22
550	10.47		
575	10.72		

			TOLERANCES UNLESS SPECIFIED		MARATHON ELECTRIC	DRAWN RM 11-01-1991			
			DEC.	INCHES		CHK ML 11-01-1991	APPD GK 11-01-1991		
4	UPDATED DRAWING	TJW 04/20/2007	.X	±.1	TITLE OUTLINE	SCALE	5=16		
3	NEW CONDUIT BOX CN39440-3	RJW 01-18-2006	ML	.XX ±.03		REF			
2	ADDED NEW REAR BRACKET CN19546	RJM 03-10-1995		.XXX ±.005		FMF			
1	NEW DRAWING 3851080	RM 11-01-1991		.XXXX ±.0005	MAT'L.	PREV			
NO.	REVISION	BY & DATE	CHK	ANG	FINISH				
			RFP		CAD FILE SS75195	SIZE A	DRAWING NO. SS75195	PAGE OF	REV. 4
			DIST	WP					

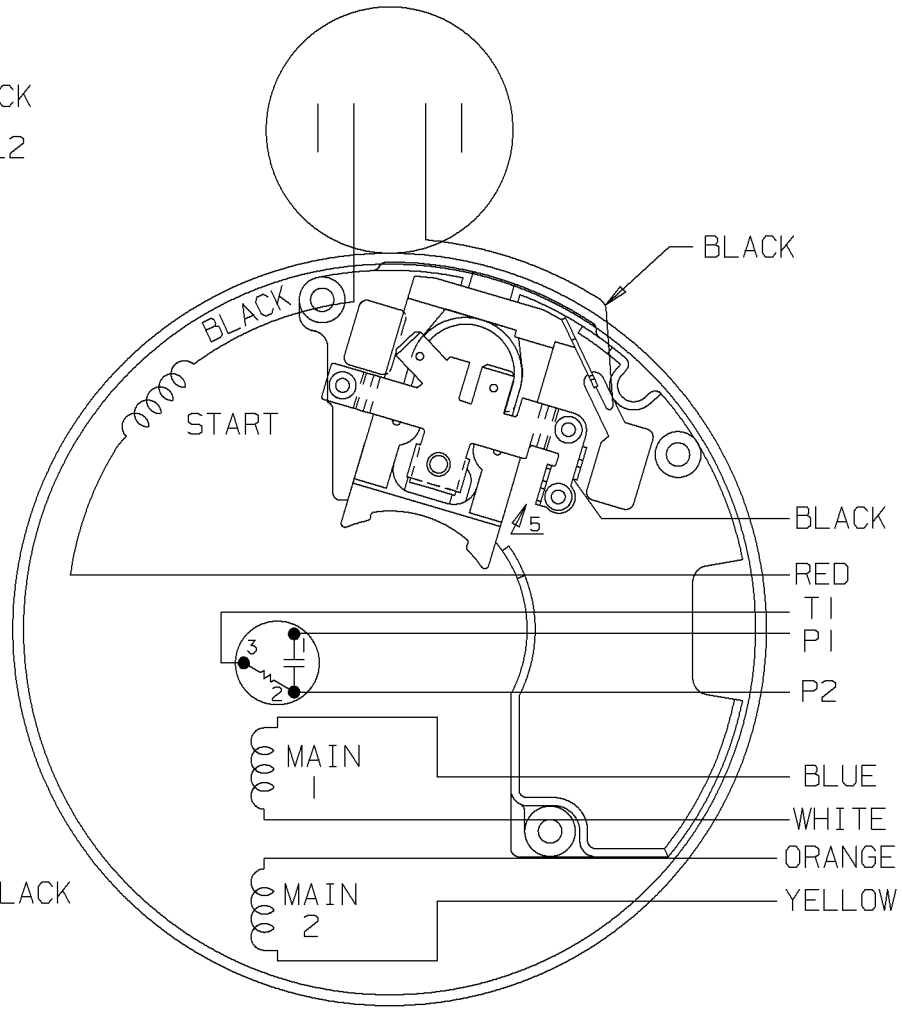
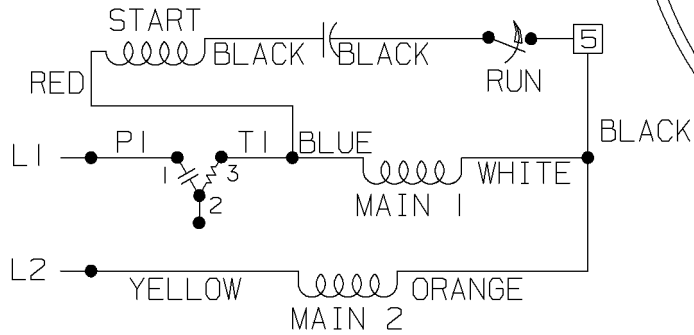
A- EE9023E

LOW VOLTAGE C.C.W.



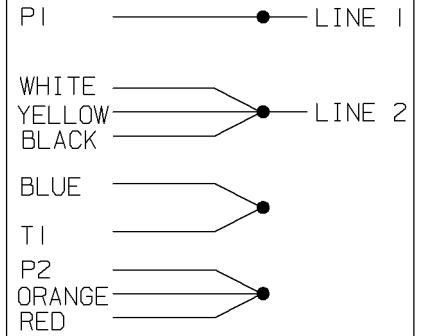
START

HIGH VOLTAGE C.C.W.

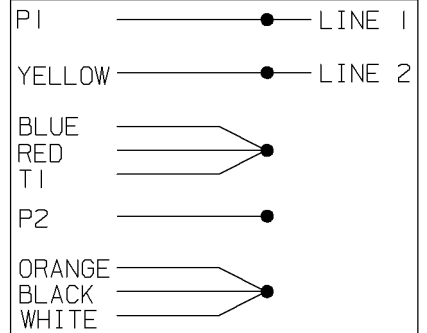


DUAL VOLTAGE
CAPACITOR START
OVERLOAD SELECT
ROTATION

LOW VOLT. CCW ROT.



HIGH VOLT. CCW ROT.



FOR CW ROT. EITHER
VOLTAGE INTERCHANGE
RED WITH BLACK LEAD.

				✓ MAX. SURFACE ROUGHNESS UNLESS NOTED OTHERWISE	UNLESS OTHERWISE SPECIFIED DIMENSIONS ARE IN INCHES TOL. ON XX±.02 XXX±.005 XXXX±.0005 ANGLES± 7'30"			
2	01-15-1992	REMOVED TERMINAL 3 FROM SCHEMATIC	RM	MATL SPEC		DRAWN BY	RM	10-30-1991
				FINISH		CHKD BY	ML	10-31-1991
1	10-30-1991	NEW DRAWING	RM	REFERENCE DRW.	WAUSAU, WISCONSIN 54401	APPD BY	SAT	11-01-1991
REV	DATE	CHANGE	NAME	PART NAME CONNECTION DIAGRAM			DRWG NO A- EE9023E	

SHOP BOOK

PURCHASED

DISTRIBUTION - WA - LB - WP - LM - BR

CADD FILE NO.

EE9023E

