

PRODUCT INFORMATION PACKET

Model No: 5KH32EN66
Catalog No: H116
1/6, 1725, TEFC, 48, 1/60/115
Totally Enclosed Fan Cooled (TEFC)



Regal and Marathon are trademarks of Regal Beloit Corporation or one of its affiliated companies.
©2018 Regal Beloit Corporation, All Rights Reserved. MC017097E





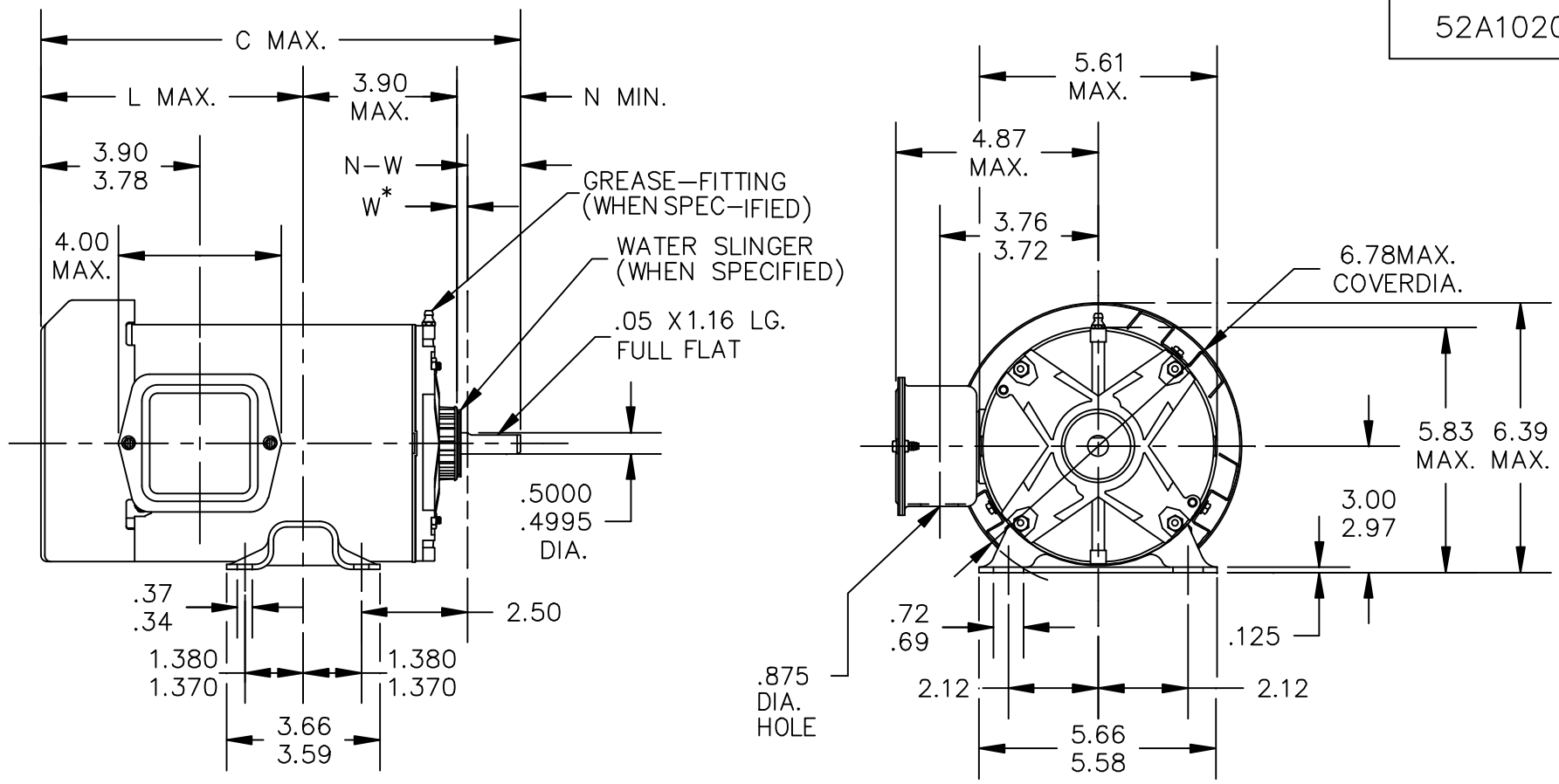
Nameplate Specifications

Output HP	0.17 Hp	Output KW	0.13 kW
Frequency	60 Hz	Voltage	115 V
Current	4 A	Speed	1725 rpm
Service Factor	1	Phase	1
Efficiency	54.1 %	Duty	Continous
Insulation Class	B	KVA Code	T
Frame	48	Enclosure	Totally Enclosed Fan Cooled
Overload Protector	N/R	Ambient Temperature	40 °C
Drive End Bearing Size	6203	Opp Drive End Bearing Size	6203
UL	Recognized	CSA	Yes
CE	N		

Technical Specifications

Electrical Type	Split Phase	Starting Method	SM
Poles	4	Rotation	Counterclockwise/Clockwise
Mounting	Rigid base	Motor Orientation	Any
Drive End Bearing	BALL	Opp Drive End Bearing	BALL
Frame Material	Rolled Steel	Overall Length	9.92 in
Frame Length	5.16 in	Shaft Diameter	0.500 in
Shaft Extension	1.5 in		
Outline Drawing	52A102041P1	Connection Diagram	52A105377BA

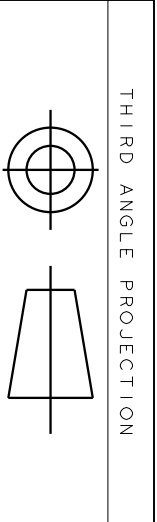
This is an uncontrolled document once printed or downloaded and is subject to change without notice. Date Created: 07/02/2018



W* IS A CLEARANCE DUE TO VARIATION IN PARTS AND ASSEMBLY

5	K KH	37	48	11.38	6.00	1.50	1.63/1.41											
4	K KH	36	48	10.98	5.60	1.50	1.63/1.41											
3	K KH	35	48	10.55	5.17	1.50	1.63/1.41	8	K KH	39	48	9.67	4.29	1.50	1.63/1.41	4.91		
2	K KH	33	48	10.17	4.79	1.50	1.63/1.41	7	K KH	32	48Z	10.92	4.54	2.50	2.63/2.41			
1	K KH	32	48	9.92	4.54	1.50	1.63/1.41	6	K KH	38	48	11.98	6.60	1.50	1.63/1.41			
P	TYPE	RBC SIZE	NEMA FR.	C	L	N	N-W	SHELL LGTH.	P	TYPE	RBC SIZE	NEMA FR.	C	L	N	N-W	SHELL LGTH.	

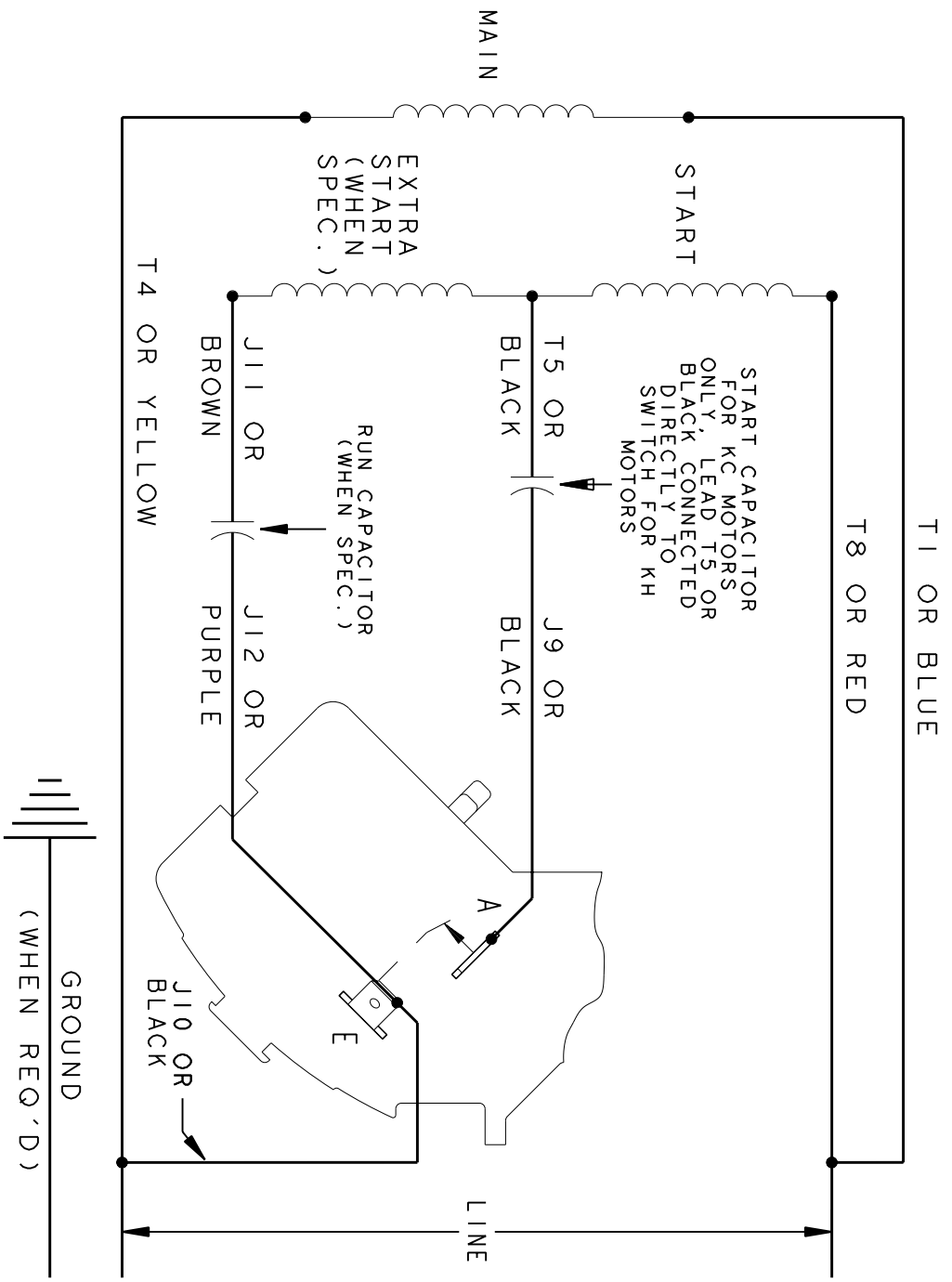
										TOLERANCES UNLESS SPECIFIED		DRAWN F.P.K 12/13/76									
										DEC.	INCHES	CHK									
										.X	±0.1	APPD M.D.P 05/24/96									
										.XX	±0.02	SCALE 1=1									
12	REDRAWN IN DRAFTSIGHT -NO CHANGES			UD 09/08/12	.XXX	±0.005	TITLE OUTLINE TOTALLY ENCLOSED OUTBOARD FAN-WELDED BASE					REF									
11	PER ISAAC 05-2096			RK 09/05/05	.XXXX	±0.0005						MAT'L.					FMF				
NO.	REVISION			BY & DATE	CHK	ANG	±1.0	FINISH					PREV								
THIS DRAWING IN DESIGN AND DETAIL IS OUR PROPERTY AND MUST NOT BE USED EXCEPT IN CONNECTION WITH OUR WORK ALL RIGHTS OF DESIGN AND INVENTION ARE RESERVED THIS IS AN ELECTRONICALLY GENERATED DOCUMENT - DO NOT SCALE THIS PRINT										RFP	CAD FILE				52A102041	SIZE	DRAWING NO.				REV.
										DIST					A	52A102041				12	



REV.	DESCRIPTION	DATE	APPROVED
6	UPDATED FORMAT	11/11/05	MAM

REVISIONS

CCW/CW ROTATION - SINGLE VOLTAGE
TYPE KC, KCR OR KH



NOTE #1 - TO REVERSE ROTATION INTERCHANGE BLUE (T1) AND YELLOW (T4) LEADS.
NOTE #2 - WHEN MORE THAN ONE CAPACITOR IS USED CONNECT IN PARALLEL.

REF. DIAG. - 113A328		SWITCH (C) - 115D958AA	
CONNECTION LABEL - 52X332919			
REGAL-BELOVT CORPORATION			
CONNECTION DIAGRAM			
FME: 30 FRAME SWITCH REDESIGN			
SIGNATURES		DATE	
MODEL	M.D. PAPE	06/29/87	
DETAIL			
CHECKED			
ENGRG			
MFG			
FOR ADDITIONAL INFO REFER TO:	QUALITY		
APPLIED PRACTICES	ISSUED	M.D.P.	01/20/99
DIMENSIONS ARE IN INCHES			
MATERIAL	SOLID MODEL: 52A105377BA	SCALE: 1.000	REF. No.:
		SIZE DRAWING	A
		52A105377BA	
		REV 6 SHEET 1 of 1	