

PRODUCT INFORMATION PACKET

Model No: 5KCP49UN9811S
Catalog No: P246
3/4,825,DP,56Z,1/60/208-230
Condenser Fans



Regal and Marathon are trademarks of Regal Beloit Corporation or one of its affiliated companies.
©2018 Regal Beloit Corporation, All Rights Reserved. MC017097E

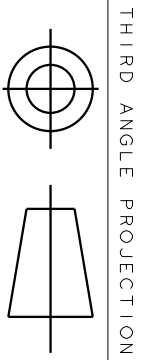
Nameplate Specifications

Output HP	3/4 Hp	Output KW	0.56 kW
Frequency	60 Hz	Voltage	208-230 V
Current	5.8-5.6 A	Speed	825 rpm
Service Factor	1	Phase	1
Efficiency	62 %	Duty	Continuous
Insulation Class	B	Design Code	-
KVA Code	D	Frame	56Z
Enclosure	Drip Proof	Overload Protector	AUTO
Ambient Temperature	40 °C	Drive End Bearing Size	6203
Opp Drive End Bearing Size	6203	UL	Recognized
CSA	Yes	CE	N

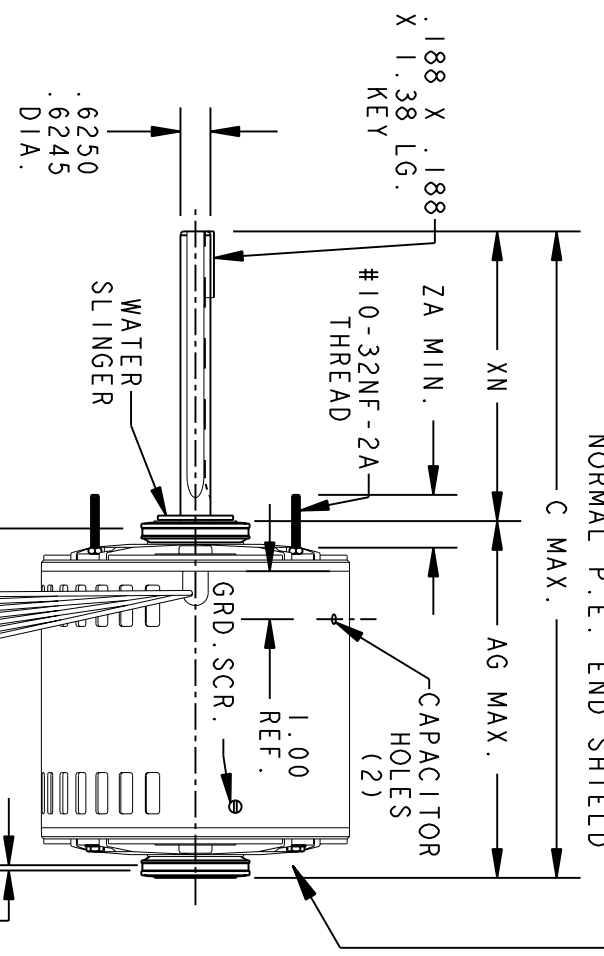
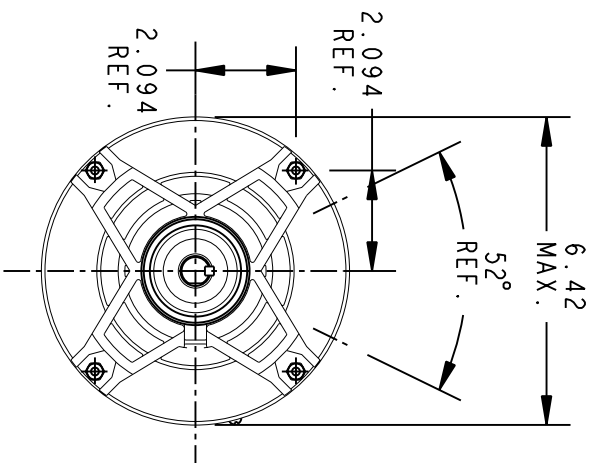
Technical Specifications

Electrical Type	Permanent Split Capacitor(PSC)	Starting Method	N/R
Poles	8	Rotation	Clockwise/Counterclockwise
Mounting	Resilient Rings	Motor Orientation	ANY
Drive End Bearing	BALL	Opp Drive End Bearing	BALL
Frame Material	Rolled Steel	Overall Length	14.47 in
Frame Length	6.15 in	Shaft Diameter	0.63 in
Shaft Extension	6 in	Thru-bolts Extension	0
Outline Drawing	52A109649P4	Connection Diagram	154A2997

This is an uncontrolled document once printed or downloaded and is subject to change without notice. Date Created: 10/08/2018

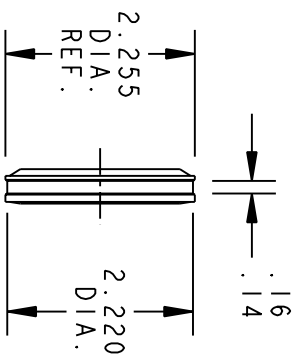


REV.	DESCRIPTION	DATE	APPROVED
5	CHG TO RBC FORMAT PER IS05-1777	03/22/06	SUDHA

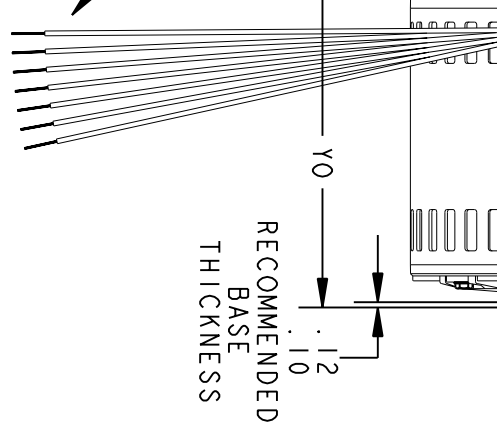


NOTE #1
VENTILATION OPENINGS
AROUND ENTIRE FACE OF
NORMAL P.E. END SHIELD

ENLARGED
VIEW OF
SHAFT
EXTENSION



ZB NO. OF LEADS
51 "/49" LONG
WITH .62 BWS



P	TYPE	GE SIZE	NEMA FR	XN	C	AG	ZA	SHELL LG.	ZB	YO
5	KCP	49	56Z	6.07/6.00	17.31	11.24	1.00	8.99	7(DUAL VOLT)	10.98/10.77
4	KCP	49	56Z	6.07/6.00	14.47	8.40	1.00	6.15	5(SING. VOLT)	8.14/7.93
3	KCP	46	56Z	6.07/6.00	14.87	8.80	1.00	6.55	7(DUAL VOLT)	8.54/8.33
2	KCP	49	56Z	6.07/6.00	14.47	8.40	1.00	6.15	7(DUAL VOLT)	8.14/7.93
1	KCP	49	56Z	6.07/6.00	13.66	7.59	1.00	5.34	7(DUAL VOLT)	7.33/7.12

SIGNATURES		DATE
MODEL	M.D. PAPER	07/14/94
DETAIL		
CHECKED		
ENGRG		
MFG		
QUALITY		
ISSUED	M.D. PAPER	09/20/94
SOLID MODEL: 52A109649		



REGAL-BELOIT CORPORATION

TITLE OUTLINE

40 FR. REDESIGN - SPECIAL PURPOSE MOTOR -
TENV (SE)- DRIP PROOF (PE) - BALL BEARING

SCALE: 0.250 REF. No.:
SIZE DRAWING A
52A109649

SHEET 1 of 1