

PRODUCT INFORMATION PACKET

Model No: 5KC39RN114T
Catalog No: CG732
3/4,2850,DP,56C,1/50/110/220
Single Phase



Regal and Marathon are trademarks of Regal Beloit Corporation or one of its affiliated companies.
©2018 Regal Beloit Corporation, All Rights Reserved. MC017097E



Nameplate Specifications

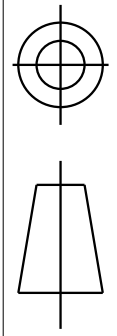
Output HP	3/4 Hp	Output KW	0.56 kW
Frequency	50 Hz	Voltage	110/220 V
Current	9.8,4.9 A	Speed	2850 rpm
Service Factor	1.5	Phase	1
Efficiency	72.7 %	Duty	Continuous
Insulation Class	B	KVA Code	K
Frame	56C	Enclosure	Drip Proof
Overload Protector	AUTO	Ambient Temperature	40 °C
Drive End Bearing Size	6203	Opp Drive End Bearing Size	6203
UL	Recognized	CSA	Yes
CE	N		

Technical Specifications

Electrical Type	Capacitor Start Induction Run	Starting Method	SM
Poles	2	Rotation	Clockwise/Counterclockwise
Mounting	Round	Motor Orientation	ANY
Drive End Bearing	LOCKED	Opp Drive End Bearing	BALL
Frame Material	Rolled Steel	Overall Length	12.6 in
Frame Length	8.5 in	Shaft Diameter	0.63 in
Shaft Extension	1.88 in		
Outline Drawing	52A102689P8	Connection Diagram	52A105383AA

This is an uncontrolled document once printed or downloaded and is subject to change without notice. Date Created: 10/08/2018

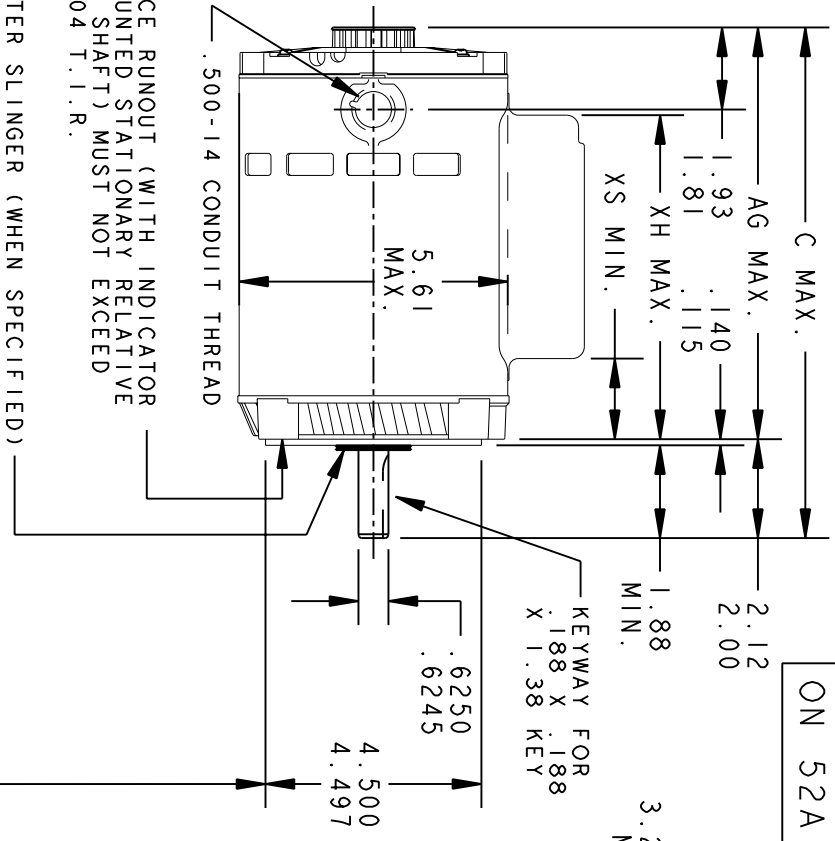
THIRD ANGLE PROJECTION



REVISIONS

REV.	DESCRIPTION	DATE	APPROVED
9	1.88 MIN. WAS 1.88 MAX	07/30/92	BLJ
10	FORMAT CHG PER ISAAC 05-1777	01/06/06	RAJKUMAR
11	UPDATED AS PER ISAAC 06-0816	04/06/06	ARCHANA

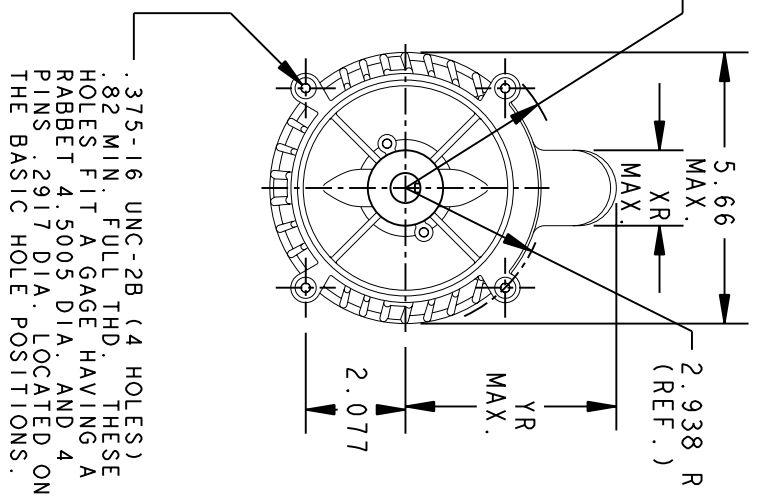
CONTINUED
ON 52A105698



FACE RUNOUT (WITH INDICATOR MOUNTED STATIONARY RELATIVE TO SHAFT) MUST NOT EXCEED .004 T.I.R.

WATER SLINGER (WHEN SPECIFIED)

ECCENTRICITY OF THIS SURFACE (WITH INDICATOR MOUNTED STATIONARY RELATIVE TO SHAFT) MUST NOT EXCEED .004 T.I.R.



8	KC	39	56C	12.59	10.49	2.66	8.32	1.60	4.34	8.50
7	KC	39	56C	12.59	10.49	3.27	8.91	1.60	4.34	8.50
6	KC	39	56C	11.84	9.74	2.52	8.16	1.60	4.34	7.75
5	KC	38	56C	11.31	9.21	1.99	7.63	1.60	4.34	
4	KC	37	56C	10.71	8.61	1.39	7.03	1.60	4.34	
3	KC	36	56C	10.31	8.21	1.39	6.63	1.60	4.34	
2	KC	37	56C	10.71	8.61	1.39	7.03	2.22	4.96	
1	KC	39	56C	12.59	10.49	3.02	8.66	1.60	4.34	8.50
P	TYPE	GE SIZE	NEMA FR	C	AG	XS	XH	XR	YR	SHELL REF.



REGAL-BELOTT CORPORATION

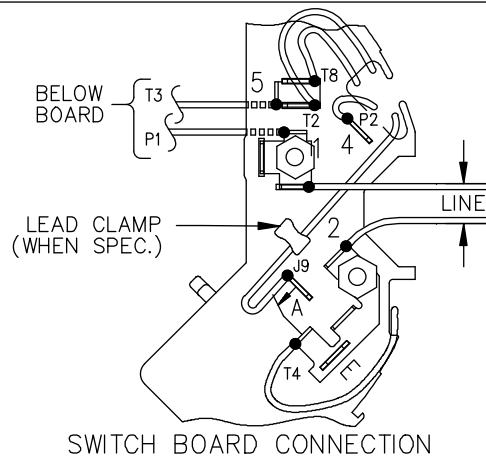
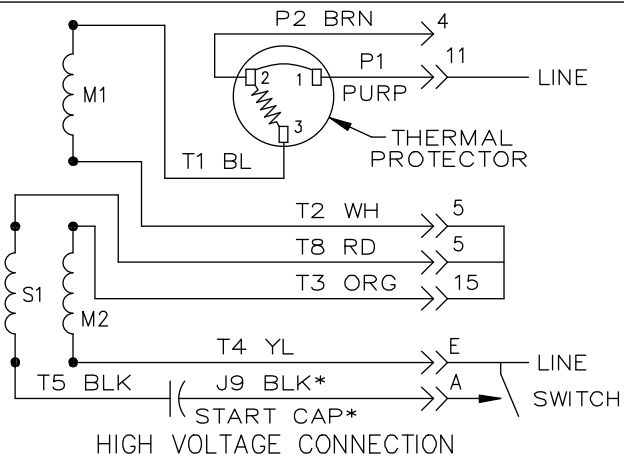
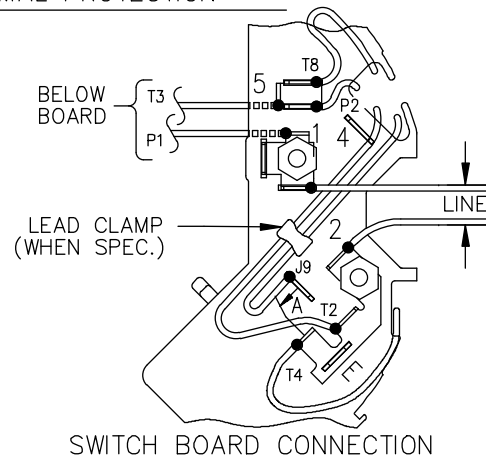
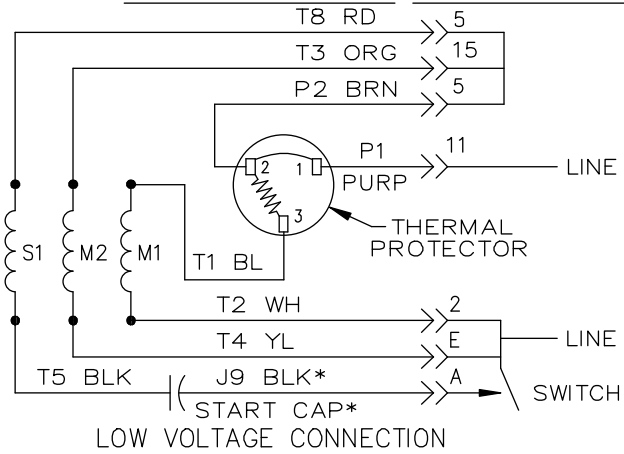
OUTLINE

FORM N - PUMP MOTOR - DRIP PROOF - R2 END MOUNTED SLEEVE & BALL BEARING - FMF:5K37MM134T

SIGNATURES		DATE
MODEL	B.A.C	04/24/78
DETAIL		
CHECKED		
ENGRG		
MFG		
QUALITY		
ISSUED	B.L.J	03/23/92
SOLID MODEL:	52A102689	

TITLE	SIZE	SCALE	REF. No.	SHEET
FORM N - PUMP MOTOR - DRIP PROOF - R2 END MOUNTED SLEEVE & BALL BEARING - FMF:5K37MM134T	DRAWING	0.250		1 of 1
52A102689	A			

EITHER ROTATION, DUAL VOLTAGE, TYPE KC OR KH, WITH THERMAL PROTECTION



NOTE #1 - START CAP & J9 WHEN SPECIFIED (*). IF NO CAPACITOR (KH), CONNECT T5 DIRECTLY TO SWITCH (A). WHEN MORE THAN ONE CAPACITOR IS USED, CONNECT IN PARALLEL.

NOTE #2 - TO REVERSE ROTATION, INTER CHANGE RD(T8) AND BLK(J9-KC OR T5-KH) LEADS.

SWITCH REF. - 115D958AB	CONNECTION LABEL	CCW ROTATION: NP52X332051AA
		CW ROTATION: NP52X332051AC

NO.	REVISION	BY & DATE	CHK	TOLERANCES UNLESS SPECIFIED		FINISH	DRAWN		
				DEC.	INCHES				
				.X	±0.1	TITLE CONNECTION DIAGRAM 30 FRAME SWITCH REDESIGN	DRAWN M.D.P 06/29/87		
				.XX	±0.02		CHK		
5	ADDED CONNECTION LABEL PER ECO-0030779	UD 02/06/13	PKG	.XXX	±0.005	MAT'L.	APPD M.D.P 03/26/96		
4	UPDATED PER ISO7-0150	MD 01/23/07		.XXXX	±0.0005		SCALE 1=1		
			ANG	±1.0		REF			
THIS DRAWING IN DESIGN AND DETAIL IS OUR PROPERTY AND MUST NOT BE USED EXCEPT IN CONNECTION WITH OUR WORK. ALL RIGHTS OF DESIGN AND INVENTION ARE RESERVED. THIS IS AN ELECTRONICALLY GENERATED DOCUMENT - DO NOT SCALE THIS PRINT				RFP	CAD FILE	52A105383AA	SIZE	DRAWING NO.	REV.
				DIST			A	52A105383AA	5

