

PRODUCT INFORMATION PACKET

marathon[®]
Motors

Model No: 326TSTFC6006
Catalog No: E013
50,3600,TEFC,326TS,3/60/575
Totally Enclosed Fan Cooled (TEFC)



Regal and Marathon are trademarks of Regal Beloit Corporation or one of its affiliated companies.
©2018 Regal Beloit Corporation, All Rights Reserved. MC017097E

REGAL[®]



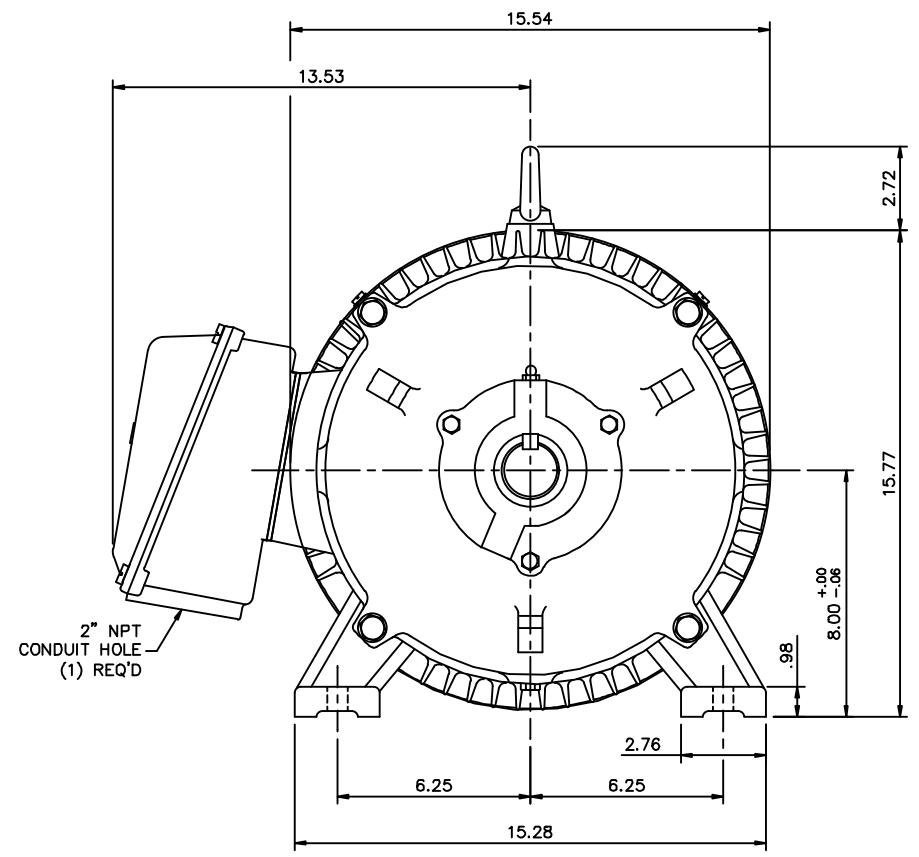
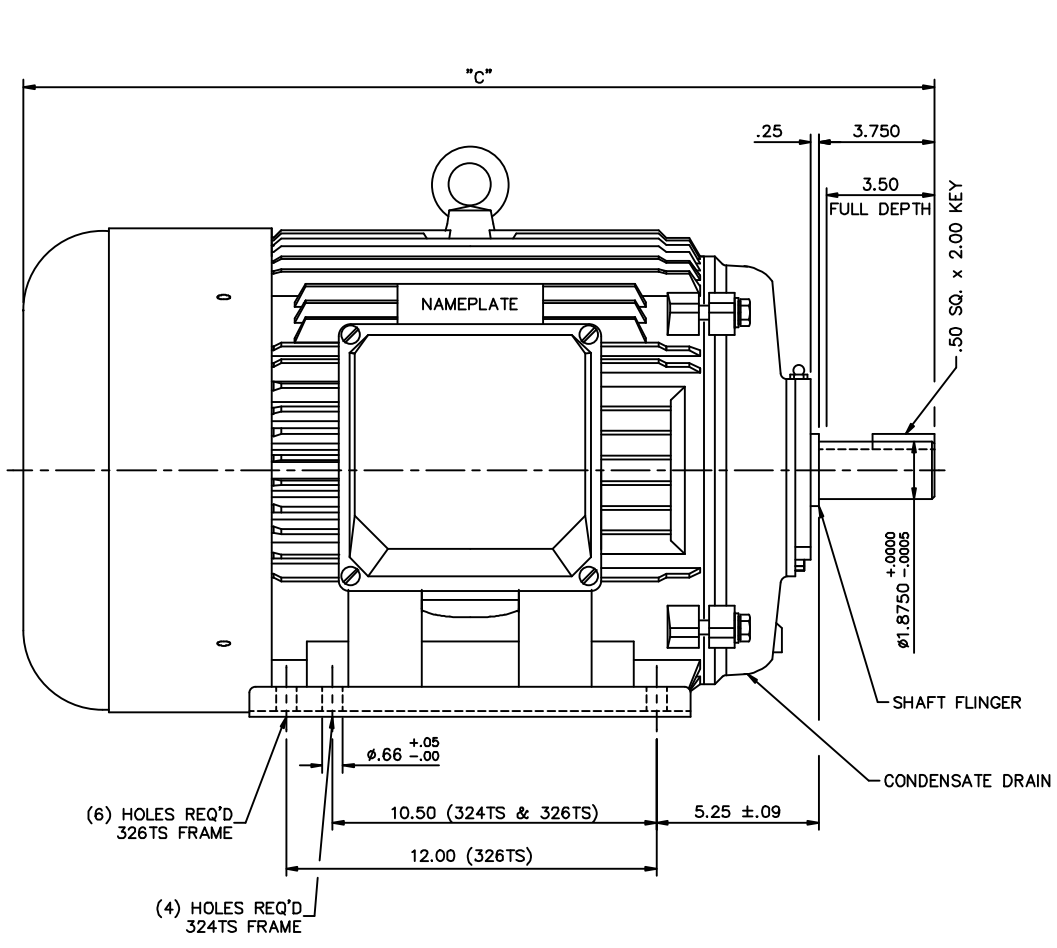
Nameplate Specifications

Output HP	50 Hp	Output KW	37.0 kW
Frequency	60 Hz	Voltage	575 V
Current	45.0 A	Speed	3565 rpm
Service Factor	1.15	Phase	3
Efficiency	94.1 %	Duty	Continuous
Insulation Class	F	Design Code	B
KVA Code	G	Frame	326TS
Enclosure	Totally Enclosed Fan Cooled	Overload Protector	No
Ambient Temperature	40 °C	Drive End Bearing Size	6312
Opp Drive End Bearing Size	6312	UL	Recognized
CSA	Y	CE	Y
IP Code	43		

Technical Specifications

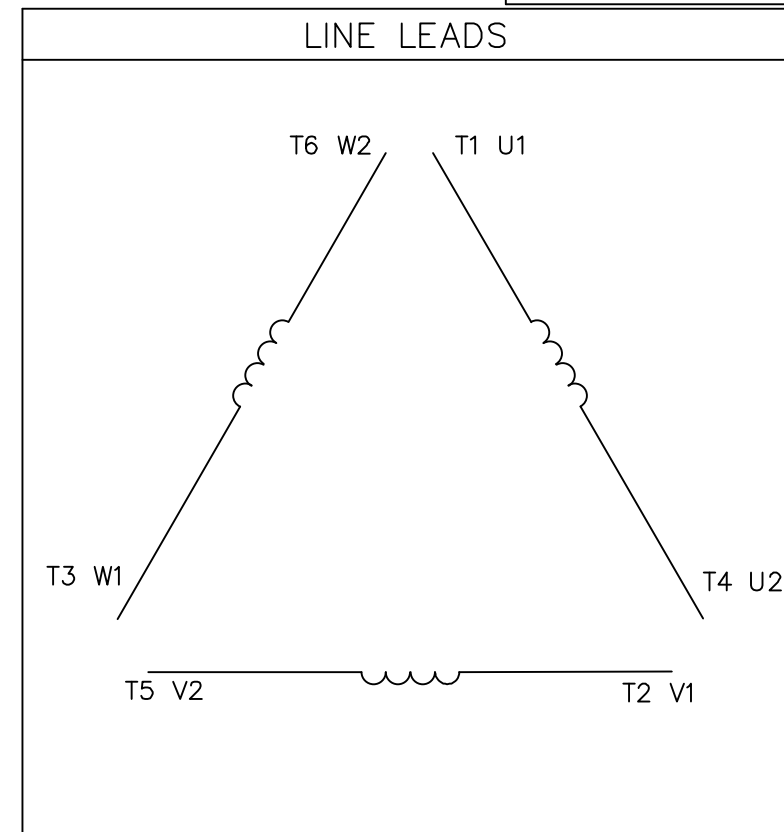
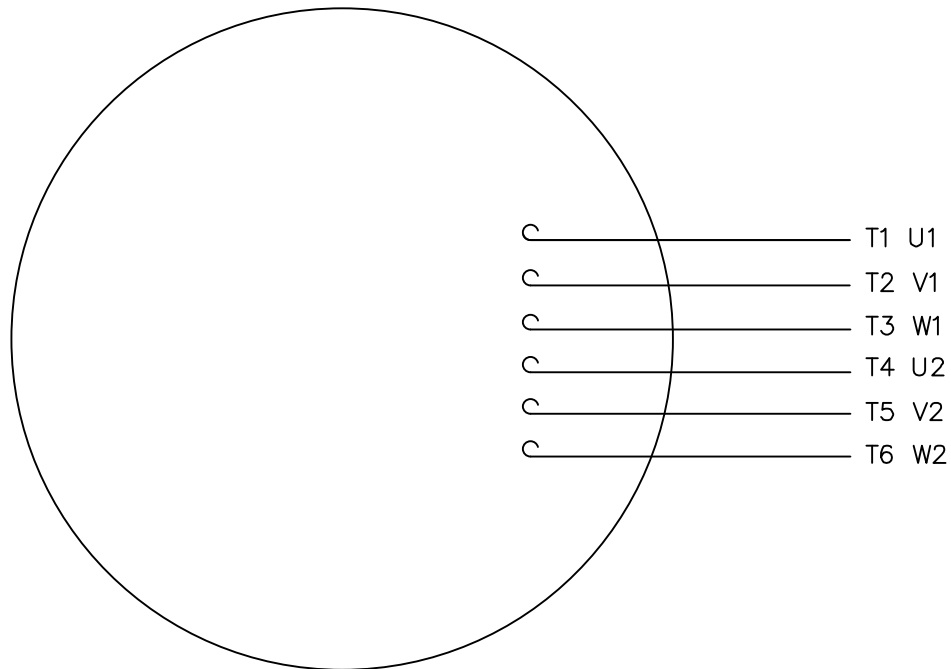
Electrical Type	Squirrel Cage Inverter Rated	Starting Method	Wye Start Delta Run Or Inverter
Poles	2	Rotation	Reversible
Mounting	Rigid base	Motor Orientation	Horizontal
Drive End Bearing	Ball	Opp Drive End Bearing	Ball
Frame Material	Cast Iron	Shaft Type	TS
Overall Length	29.53 in	Shaft Diameter	1.875 in
Shaft Extension	3.75 in	Assembly/Box Mounting	F1/F2 Capable
Outline Drawing	16954260RB	Connection Diagram	00519001ME

This is an uncontrolled document once printed or downloaded and is subject to change without notice. Date Created: 07/02/2018



FRAME DESIGN	"C"
324TS	28.03
326TS	29.53

				TOLERANCES UNLESS OTHERWISE SPECIFIED					
				DECIMALS					
				.00	± .06	DRAWN	JJK 03/29/99	TITLE	OUTLINE - 320TS FRAME
				.000	± .005	CH'K'D.			TEFC - RIGID
01	ADDED HOLES FOR 326TS BASE	JJK	07/15/99	.0000	± .0005	APPR.	PG 03/31/99	MAT'L	CAST IRON
NO.	REVISION	BY	DATE	FRACTIONS	± 1/64	SCALE	1=4	REF.	169504
THIS DRAWING IN DESIGN AND DETAIL IS OUR PROPERTY AND MUST NOT BE USED EXCEPT IN CONNECTION WITH OUR WORK. ALL RIGHTS OF DESIGN AND INVENTION ARE RESERVED.				ANGLES	± 1/2°	FINISH		SIZE	DRAWING NO.
				INCH/MM		FMF		B	169542-60



	L1	L2	L3	JOIN
START (WYE)	T1 U1	T2 V1	T3 U2	(T4,T5,T6) (U2,V2,W2)
RUN (DELTA)	(T1,T6) (U1,W2)	(T2,T4) (V1,U2)	(T3,T5) (W1,V2)	

				TOLERANCES UNLESS SPECIFIED				DRAWN PG 05/07/82		
				DEC.	INCHES			CHK		
				.X	±.1			APPD TEM 05/07/82		
03	ADDED IEC DESIGNATIONS	MOL 04/27/12	.XX	±.01	TITLE EXTERNAL WIRING DIAGRAM STAR START - DELTA RUN				SCALE 1=1	
02	REMOVED OBSOLETE STATUS	KJH 06/28/99	.XXX	±.005					REF	
01	REDRAWN ON CAD	DBT 05/30/97	.XXXX	±.0005	MAT'L. Y-CONNECTED START - DELTA CONNECTED RUN				FMF	
NO.	REVISION	BY & DATE	CHK	ANG ±1/2'					FINISH SINGLE VOLTAGE	
THIS DRAWING IN DESIGN AND DETAIL IS OUR PROPERTY AND MUST NOT BE USED EXCEPT IN CONNECTION WITH OUR WORK ALL RIGHTS OF DESIGN AND INVENTION ARE RESERVED THIS IS AN ELECTRONICALLY GENERATED DOCUMENT - DO NOT SCALE THIS PRINT			RFP	CAD FILE 00519001ME		SIZE	DRAWING NO.			
			DIST			A	005190-01ME		03	

CERTIFICATION DATA SHEET

Model#: 326TSTFC6006 AA WINDING#: T16102017 NONE 3
 CONN. DIAGRAM: 00519001ME ASSEMBLY: F1/F2 CAPABLE
 OUTLINE: 16954260RB

TYPICAL MOTOR PERFORMANCE DATA

HP	KW	SYNC. RPM	F.L. RPM	FRAME	ENCLOSURE	KVA CODE	DESIGN
50	37	3600	3565	326TS	TEFC	G	B

PH	Hz	VOLTS	FL AMPS	START TYPE	DUTY	INSL	S.F	AMB°C	ELEVATION
3	60	575	45	Y START D RUN OR INV	CONTINUOUS	F2	1.15	40	3300

FULL LOAD EFF: 94.1	3/4 LOAD EFF: 94.5	1/2 LOAD EFF: 94.1	GTD. EFF	ELEC. TYPE	NO LOAD AMPS
FULL LOAD PF: 88.5	3/4 LOAD PF: 87.5	1/2 LOAD PF: 83.5	93	SQ CAGE INV RATED	10.2

F.L. TORQUE	LOCKED ROTOR AMPS	L.R. TORQUE	B.D. TORQUE	F.L. RISE°C
73.7 LB-FT	287.2	124 LB-FT 168	186.5 LB-FT 253	58

SOUND PRESSURE @ 3 FT.	SOUND POWER	ROTOR WK^2	MAX. WK^2	SAFE STALL TIME	STARTS /HOUR	APPROX. MOTOR WGT
- dBA	- dBA	- LB-FT^2	- LB-FT^2	15 SEC.	2	600 LBS.

*** SUPPLEMENTAL INFORMATION ***

DE BRACKET TYPE	ODE BRACKET TYPE	MOUNT TYPE	ORIENTATION	SEVERE DUTY	HAZARDOUS LOCATION	DRIP COVER	SCREENS	PAINT
STANDARD	STANDARD	RIGID	HORIZONTAL	FALSE	NONE	FALSE	NONE	BLUE (ENAMEL)

BEARINGS		GREASE	SHAFT TYPE	SPECIAL DE	SPECIAL ODE	SHAFT MATERIAL	FRAME MATERIAL
DE	OPE						
BALL	BALL	POLYREX EM	TS	NONE	NONE	1045 HOT ROLLED (C-204)	CAST IRON
6312	6312						

THERMO-PROTECTORS				THERMISTORS	CONTROL	SPACE /n HEATERS
THERMOSTATS	PROTECTORS	WDG RTDs	BRG RTDs			
NONE	NOT	NONE	NONE	NONE	FALSE	NONE VOLTS

If Inverter equals NONE, contact factory for further information

INVERTER TORQUE: CONSTANT 2:1 INV. HP SPEED RANGE: 1.5 X BASE SPEED
ENCODER: NONE NONE NONE NONE NONE PPR
BRAKE: NONE NONE NONE P/N NONE NONE NONE NONE FT-LB NONE V NONE Hz

*
N
O
T
E
S
*

DATE: 06/21/2017 06:29:11 AM
FORM 3531 REV.3 02/07/99

** Subject to change without notice.