

# PRODUCT INFORMATION PACKET

Model No: 056T17D3302  
Catalog No: K064  
1 1/2, 1725/1425, DP, 56HZ, 3/60/208-230/460  
Open Drip Proof (ODP)



Regal and Marathon are trademarks of Regal Beloit Corporation or one of its affiliated companies.  
©2018 Regal Beloit Corporation, All Rights Reserved. MC017097E

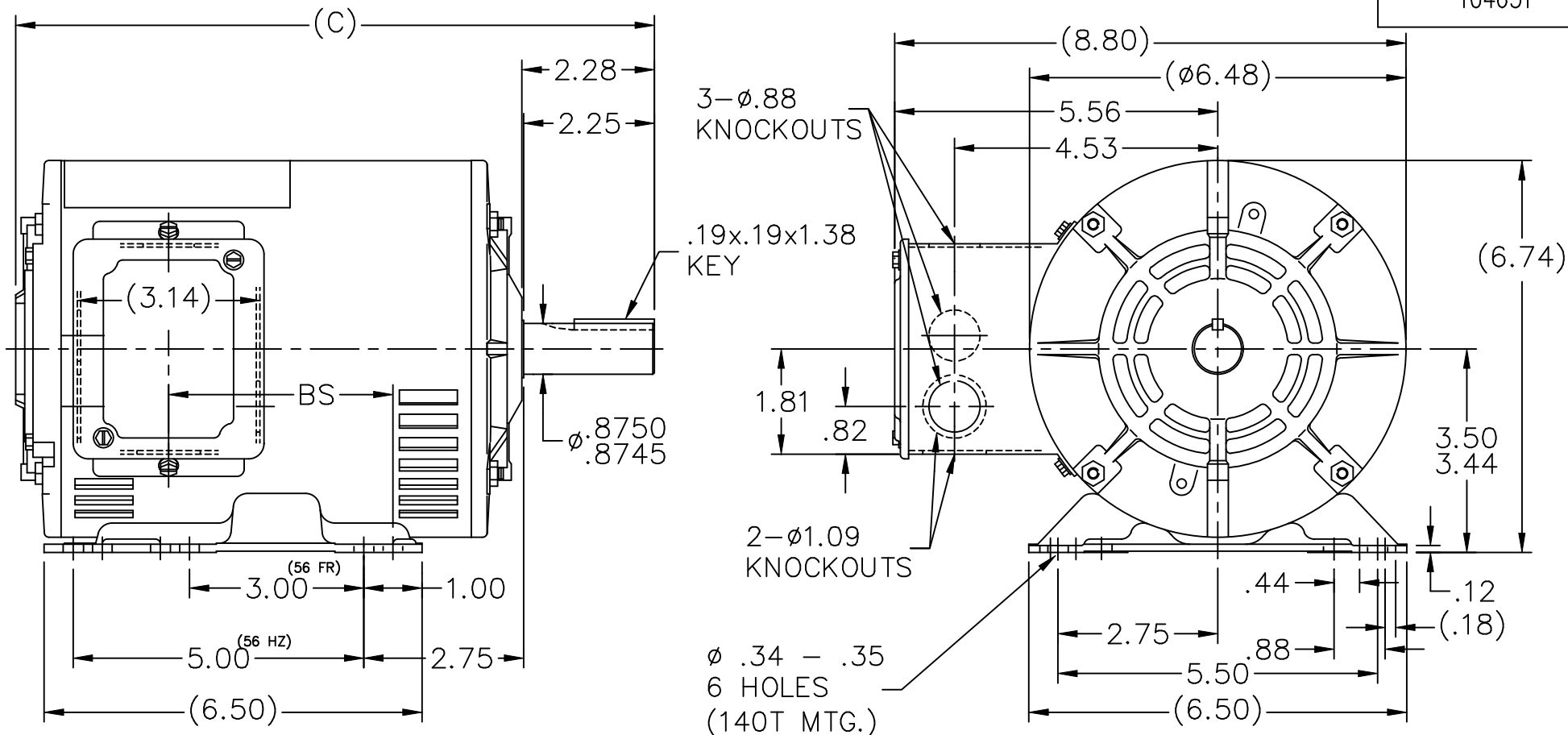


### Nameplate Specifications

Output HP	<b>1.50 Hp</b>	Output KW	<b>1.1 kW</b>
Frequency	<b>60 Hz</b>	Voltage	<b>208-230/460 V</b>
Current	<b>5.0-4.8/2.4 A</b>	Speed	<b>1725 rpm</b>
Service Factor	<b>1.15</b>	Phase	<b>3</b>
Efficiency	<b>80 %</b>	Duty	<b>Continuous</b>
Insulation Class	<b>B</b>	Design Code	<b>B</b>
KVA Code	<b>K</b>	Frame	<b>56HZ</b>
Enclosure	<b>Drip Proof</b>	Overload Protector	<b>Automatic</b>
Ambient Temperature	<b>40 °C</b>	Drive End Bearing Size	<b>6205</b>
Opp Drive End Bearing Size	<b>6205</b>	UL	<b>Recognized</b>
CSA	<b>Y</b>	CE	<b>Y</b>
IP Code	<b>22</b>		

### Technical Specifications

Electrical Type	<b>Squirrel Cage Induction Run</b>	Starting Method	<b>Across The Line</b>
Poles	<b>4</b>	Rotation	<b>Reversible</b>
Mounting	<b>Rigid base</b>	Motor Orientation	<b>Horizontal</b>
Drive End Bearing	<b>Ball</b>	Opp Drive End Bearing	<b>Ball</b>
Frame Material	<b>Rolled Steel</b>	Shaft Type	<b>NEMA 145T</b>
Overall Length	<b>10.99 in</b>	Frame Length	<b>7.06 in</b>
Shaft Diameter	<b>0.625 in</b>	Shaft Extension	<b>2.28 in</b>
Assembly/Box Mounting	<b>F1 Only</b>		
Outline Drawing	<b>A-104651-706</b>	Connection Diagram	<b>A-EE7335</b>



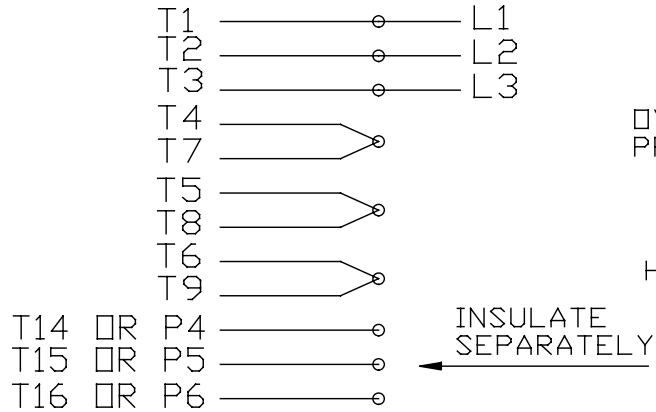
DASH	FR.	C	BS/140T	DASH	FR.	C	BS/140T
				806	140T/56HZ	11.99	4.86
				856	"	12.49	5.36
706	140T/56HZ	10.99	3.86	906	"	12.99	5.86
756	"	11.49	4.36	956	"	13.49	6.36

- NOTES:  
 1. CONDUIT BOX CAN BE ROTATED 180°.  
 2. NAMPLATE READ FROM CONDUIT BOX SIDE.

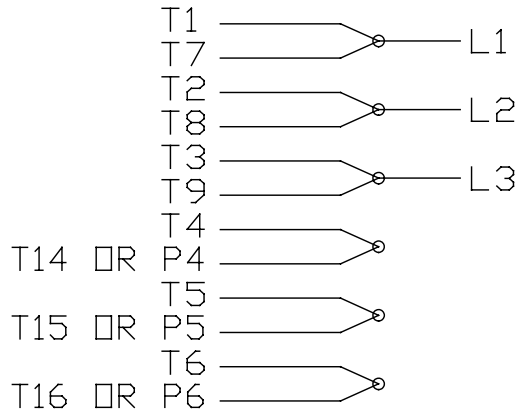
				TOLERANCES UNLESS SPECIFIED		MARATHON ELECTRIC	DRAWN BLR 10-05-1999					
				DEC.	INCHES		CHK	DRS	10-06-1999			
				.X	±.1	TITLE OUTLINE 56HZ - DR.PR.	APPD	GK	10-06-1999	SCALE	3=8	
				.XX	±.02		REF			FMF		
				.XXX	±.005		PREV					
				.XXXX	±.0005							
1	NEW DRAWING	MU27144	BLR 10-06-1999	CHK	ANG	±7'30"	FINISH					
THIS DRAWING IN DESIGN AND DETAIL IS OUR PROPERTY AND MUST NOT BE USED EXCEPT IN CONNECTION WITH OUR WORK ALL RIGHTS OF DESIGN AND INVENTION ARE RESERVED THIS IS AN ELECTRONICALLY GENERATED DOCUMENT - DO NOT SCALE THIS PRINT				RFP	CAD FILE 104651			SIZE	DRAWING NO.	PAGE	OF	REV.
				DIST	WP		A	104651			1	

EE7335

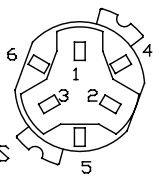
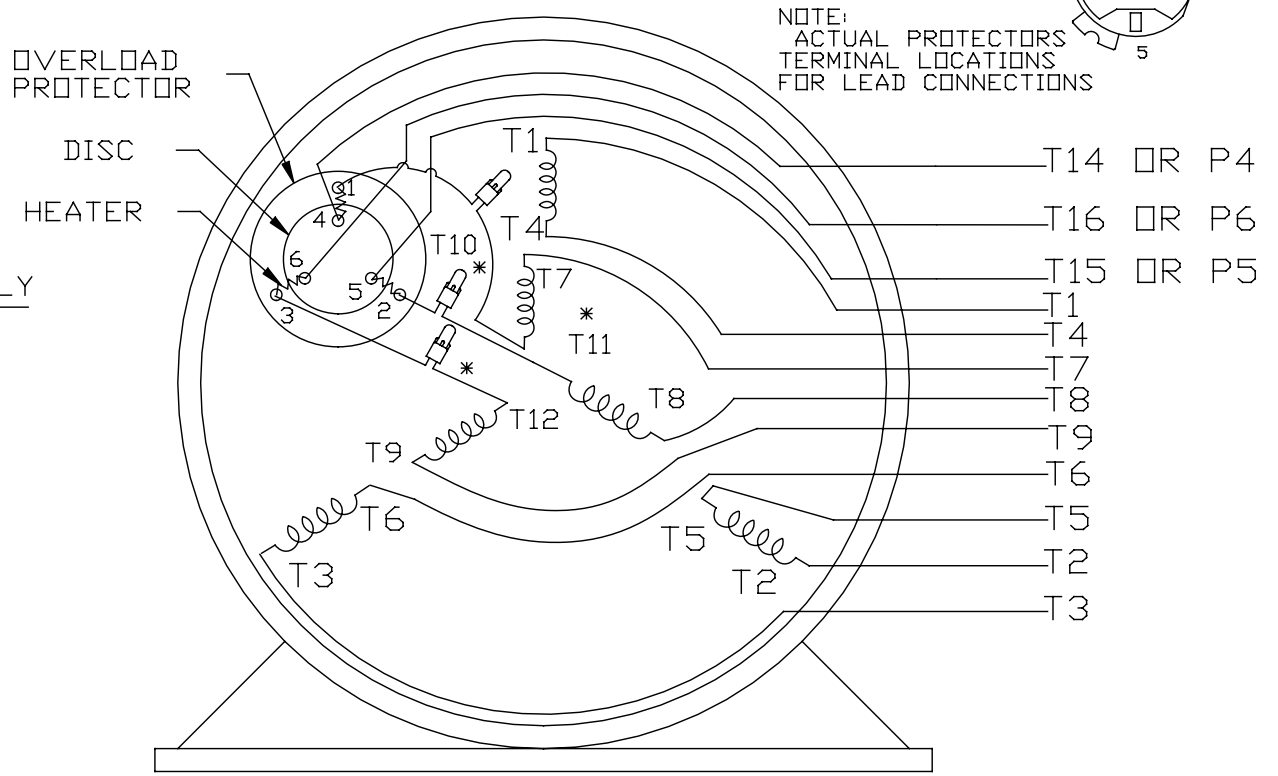
### HIGH VOLTAGE CONNECTIONS



### LOW VOLTAGE CONNECTIONS



### THREE PHASE - DUAL VOLTAGE MOTOR WITH OVERLOAD PROTECTOR



VIEW OF TERMINAL END

\* USE PRESSURE CONNECTORS FOR MT2 PLANT ONLY

T2K
T4D
T6AN

NO.	REVISION	BY & DATE	CHK	TOLERANCES UNLESS SPECIFIED		FINISH	DRAWN	SCALE	REV.	
				DEC.	INCHES					
17	CHANGED LOGO FROM MARATHON TO REGAL	KIR 02/16/16	AB	DEC.	INCHES	<b>Regal Beloit America, Inc.</b>	KL	08-09-1993	1	
16	PRESSURE CONNECTORS QUANTITY WAS 6	PVR 10/29/13	GR	.X	±.1		CHK	ML	08/10/1993	2
15	PRESSURE CONNECTORS ADDED	GR 03/04/13	SR	.XX	±.01		APPD	GK	08/10/1993	3
14	ADDED ACTUAL PROCECTOR VIEW CN 17481	KL 05/18/94		.XXX	±.005		TITLE			4
13	REDRAWN IN AUTO CAD	KL 08/11/93		.XXXX	±.0005		3Ø-DUAL VOLT WITH OVERLOAD PROTECTO			5
				ANG	±1/2*	MAT'L.				
				RFP		FINISH				
				DIST		CAD FILE	EE7335	SIZE	DRAWING NO.	
							A	EE7335	17	

THIS DRAWING IN DESIGN AND DETAIL IS OUR PROPERTY AND MUST NOT BE USED EXCEPT IN CONNECTION WITH OUR WORK ALL RIGHTS OF DESIGN AND INVENTION ARE RESERVED THIS IS AN ELECTRONICALLY GENERATED DOCUMENT - DO NOT SCALE THIS PRINT



