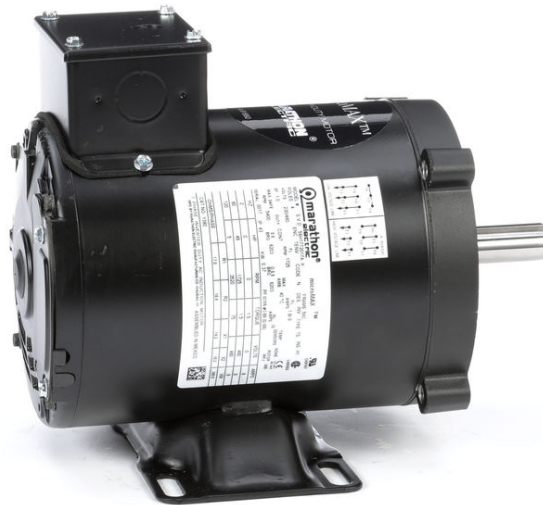


PRODUCT INFORMATION PACKET

Model No: 056H17T2017
Catalog No: Y360
1/2, 1800, TENV, 56C, 3/60/230/460
1000:1 Speed Ratio



Regal and Marathon are trademarks of Regal Beloit Corporation or one of its affiliated companies.

©2018 Regal Beloit Corporation, All Rights Reserved. MC017097E





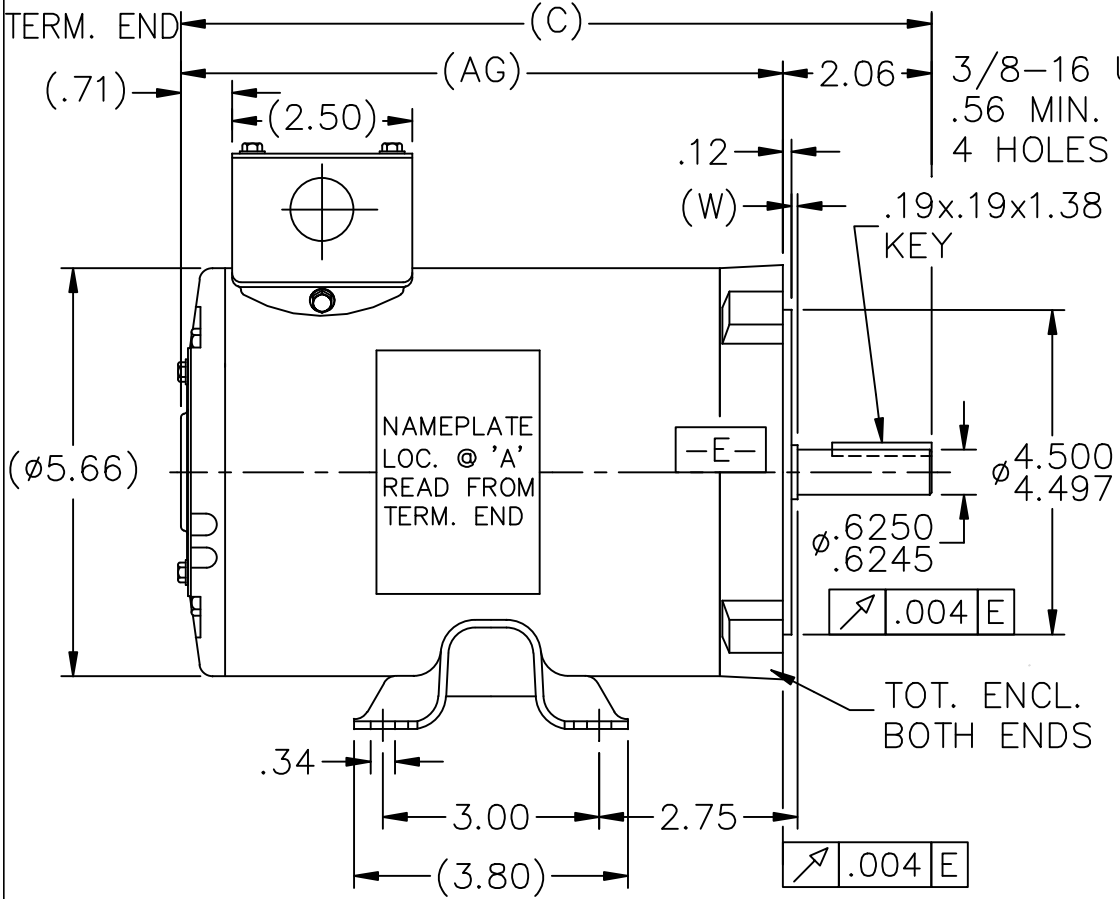
Nameplate Specifications

Output HP	0.50 Hp	Output KW	0.37 kW
Frequency	60 Hz	Voltage	230/460 V
Current	1.8/0.90 A	Speed	1725 rpm
Service Factor	1	Phase	3
Efficiency	74 %	Duty	Continuous
Insulation Class	H	Design Code	INV
KVA Code	N	Frame	56C
Enclosure	Totally Enclosed Non Ventilated	Overload Protector	No
Ambient Temperature	40 °C	Drive End Bearing Size	6203
Opp Drive End Bearing Size	6203	UL	Recognized
CSA	Y	CE	Y
IP Code	43		

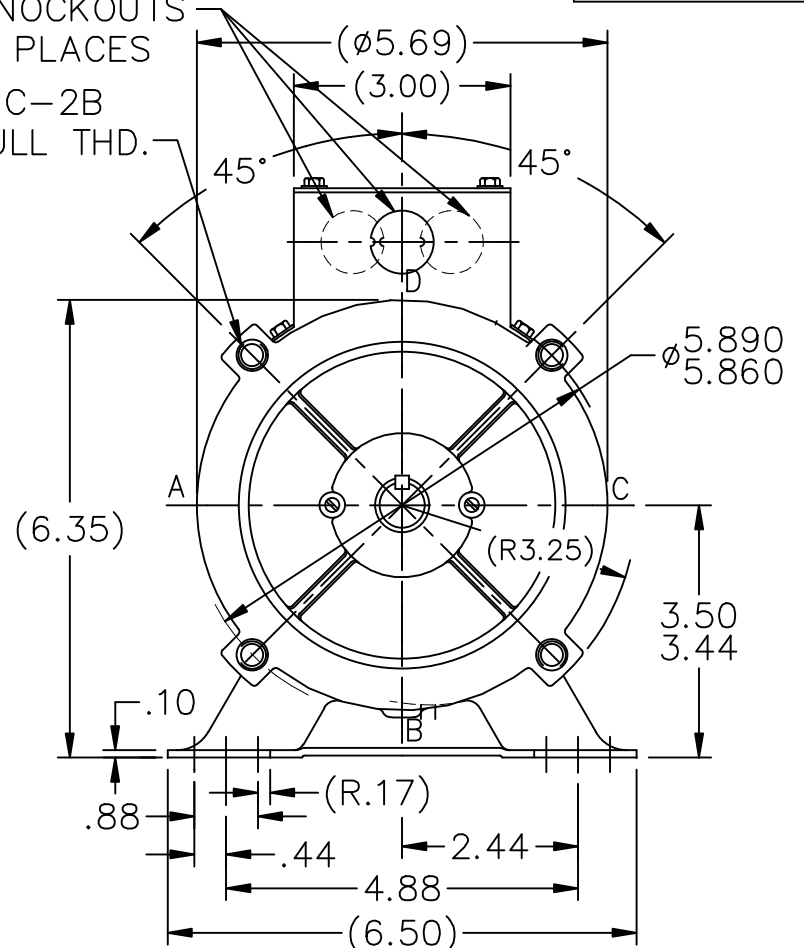
Technical Specifications

Electrical Type	Squirrel Cage Inverter Duty	Starting Method	Inverter Only
Poles	4	Rotation	Reversible
Mounting	Rigid base	Motor Orientation	Horizontal
Drive End Bearing	Ball	Opp Drive End Bearing	Ball
Frame Material	Rolled Steel	Shaft Type	NEMA 56
Overall Length	9.81 in	Frame Length	6.25 in
Shaft Diameter	0.625 in	Shaft Extension	2.06 in
Assembly/Box Mounting	F3		
Outline Drawing	A-SS403204-625	Connection Diagram	A-EE7308

'W' = CLEARANCE ALLOWED FOR ALL VARIANCES
IN MANUFACTURING & ASSEMBLY



ø.88
KNOCKOUTS
5 PLACES
3/8-16 UNC-2B
.56 MIN. FULL THD.
4 HOLES

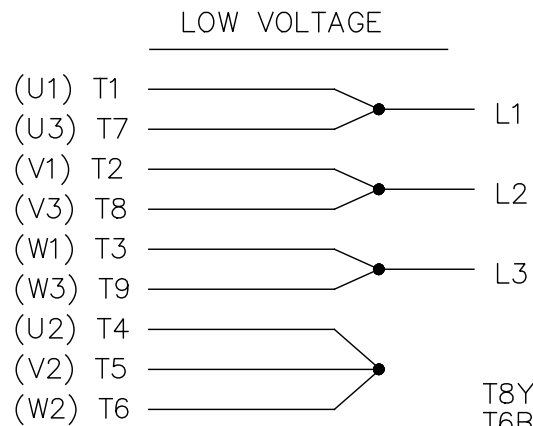


DASH	FR	C	AG	DASH	FR	C	AG	DASH	FR	C	AG
600	56	9.66	7.60	675	56	10.41	8.35	750	56	11.16	9.10
625	56	9.81	7.85	700	56	10.66	8.60	775	56	11.41	9.35
650	56	10.16	8.10	725	56	10.91	8.85				

				TOLERANCES UNLESS SPECIFIED		MARATHON ELECTRIC		DRAWN TJB 01-14-2002			
				DEC.	INCHES			CHK	DRS 01-29-2002		
				.X	±.1			APPD	TOM 01-30-2002		
3	REVISED "C" & "AG" DIMS	ISAAC10-2047	TJW 7/27/2010	CTO	.XX	±.03	TITLE OUTLINE	SCALE	3=8		
2	REDRAWN IN AUTOCAD		TAT 06-24-2005	DRS	.XXX	±.005	56 FRAME	REF			
1	NEW DRAWING CN 34675		TJB 01-30-2002	DRS	.XXXX	±.0005	MAT'L.	FMF			
NO.	REVISION		BY & DATE	CHK	ANG	±'30"	FINISH	PREV			
	THIS DRAWING IN DESIGN AND DETAIL IS OUR PROPERTY AND MUST NOT BE USED EXCEPT IN CONNECTION WITH OUR WORK ALL RIGHTS OF DESIGN AND INVENTION ARE RESERVED THIS IS AN ELECTRONICALLY GENERATED DOCUMENT - DO NOT SCALE THIS PRINT		RFP	CAD FILE ss403204			SIZE	DRAWING NO.	PAGE	OF	REV.
			DIST	WP				A	SS403204		3

EE7308

THREE PHASE
DUAL VOLTAGE MOTOR



VIEW OF TERMINAL END

REF.
WINDING DIAGRAM

T8Y, T2Y, T2BL, T4BX, T2EC, T2G
T6BZ, T2B, T6BL, T4AV, T6B, T4B

OPTIONAL CORD
CONNECTION

L1 — WHITE
L2 — RED
L3 — BLACK

NO.	REVISION	BY & DATE	CHK	ANG	TOLERANCES UNLESS SPECIFIED		FINISH	DRAWN RM 11/20/1990				
					DEC.	INCHES						
5	CHG TO REGAL LOGO	SL 09/10/2015	AB					CHK ML 11/21/1990				
4	REVISED IEC NOTATIONS	MSG 11/15/2011	CMN	.X	±.1			APPD SAS 04/24/2003				
3	ADDED IEC NOTATIONS... (U1), (V1) ETC. MU95194	MSG 5/10/2010	MJS	.XX	±.02			SCALE 1=1				
2	ADDED THE OPTIONAL CORD CONNECTION MU46318	RDH 04/24/2003	DRS	.XXX	±.005		TITLE CONNECTION DIAGRAM 3Ø - DUAL VOLTAGE MOTOR	REF				
1	REDRAWN	RM 11/20/1990		.XXXX	±.0005		MAT'L.	FMF				
					±7'30"			PREV				
THIS DRAWING IN DESIGN AND DETAIL IS OUR PROPERTY AND MUST NOT BE USED EXCEPT IN CONNECTION WITH OUR WORK ALL RIGHTS OF DESIGN AND INVENTION ARE RESERVED THIS IS AN ELECTRONICALLY GENERATED DOCUMENT - DO NOT SCALE THIS PRINT							RFP	CAD FILE ee7308	SIZE A	DRAWING NO. EE7308	PAGE OF 5	REV. 5
							DIST WP					



CERTIFICATION DATA SHEET

Model#: 56H172017 A WINDING#: TE484119 NONE 3
 CONN. DIAGRAM: A-EE7308 ASSEMBLY: F3
 OUTLINE: A-SS403204-625

TYPICAL MOTOR PERFORMANCE DATA

HP	KW	SYNC. RPM	F.L. RPM	FRAME	ENCLOSURE	KVA CODE	DESIGN
1/2	.37	1800	1725	56C	TENV	N	INV

PH	Hz	VOLTS	FL AMPS	START TYPE	DUTY	INSL	S.F	AMB°C	ELEVATION
3	60	230/460	1.8/9	INVERTER ONLY	CONTINUOUS	H1	1.0	40	3300

FULL LOAD EFF: 74	3/4 LOAD EFF: 70.3	1/2 LOAD EFF: 63	GTD. EFF	ELEC. TYPE	NO LOAD AMPS
FULL LOAD PF: 69	3/4 LOAD PF: 59.8	1/2 LOAD PF: 48.6	72	SQ CAGE INV DUTY	1.5 / .8

F.L. TORQUE	LOCKED ROTOR AMPS	L.R. TORQUE	B.D. TORQUE	F.L. RISE°C
1.5 LB-FT	14.4 / 7.2	6.89 LB-FT 459	8.24 LB-FT 549	85

SOUND PRESSURE @ 3 FT.	SOUND POWER	ROTOR WK^2	MAX. WK^2	SAFE STALL TIME	STARTS /HOUR	APPROX. MOTOR WGT
60 dBA	70 dBA	0.055 LB-FT^2	0 LB-FT^2	10 SEC.	0	25 LBS.

EQUIVALENT WYE CKT.PARAMETERS (OHMS PER PHASE)

R1	R2	X1	X2	XM
17.01	15.5925	19.2213	10.206	390.0393
RM	ZREF	XR	TD	TD0
12984.3	567	1.43	0.0038	0.068

*** SUPPLEMENTAL INFORMATION ***

DE BRACKET TYPE	ODE BRACKET TYPE	MOUNT TYPE	ORIENTATION	SEVERE DUTY	HAZARDOUS LOCATION	DRIP COVER	SCREENS	PAINT
C-FACE	STANDARD	RIGID	HORIZONTAL	FALSE	NONE	FALSE	NONE	BLACK (POWDER)

BEARINGS		GREASE	SHAFT TYPE	SPECIAL DE	SPECIAL ODE	SHAFT MATERIAL	FRAME MATERIAL
DE	OPE						
BALL	BALL	POLYREX EM	STANDARD 56	NONE	NONE	1144 STRESSPROOF (C-223)	ROLLED STEEL
6203	6203						

THERMO-PROTECTORS				THERMISTORS	CONTROL	SPACE /n HEATERS
THERMOSTATS	PROTECTORS	WDG RTDs	BRG RTDs			
NONE	NOT	NONE	NONE	NONE	FALSE	NONE VOLTS

If Inverter equals NONE, contact factory for further information

*
N
O
T
E
S
*

INVERTER TORQUE: CONSTANT 1000:1
INV. HP SPEED RANGE: 2.0 X BASE SPEED
ENCODER: NONE
NONE NONE
NONE NONE PPR
BRAKE: NONE NONE

NONE	P/N	NONE	
NONE	NONE		
NONE FT-LB	NONE V	NONE Hz	

DATE: 06/28/2017 01:14:03 AM
FORM 3531 REV.3 02/07/99
** Subject to change without notice.

Data Sheet

Date: 4/20/2018

56H1712017

Customer: _____
 Attention: _____



Submital

Submitted by: FAREEDA DUDEKULA

Data @ 460 V

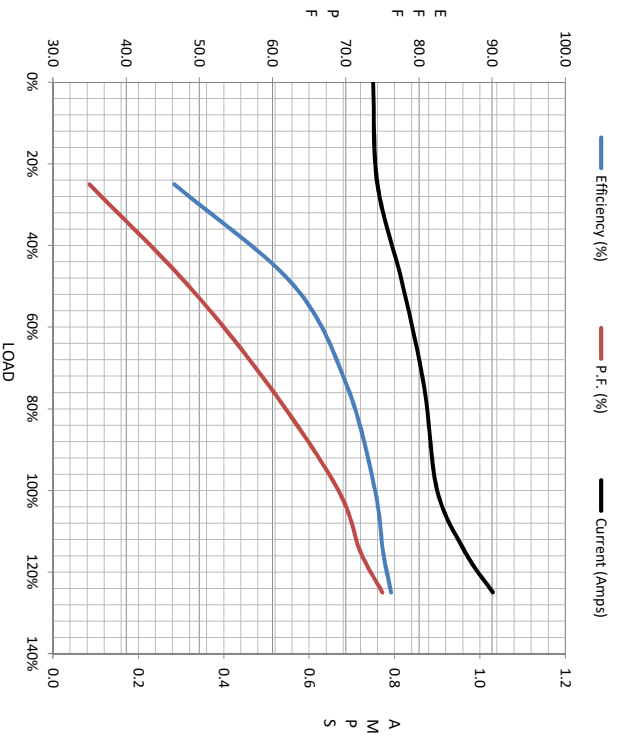
Load	Motor Load Data									
	0%	25%	50%	75%	100%	115%	125%	LR		
Current (Amps)	0.75	0.76	0.82	0.87	0.90	0.97	1.03	7.2		
Torque (ft-lb)	0.00	0.37	0.74	1.11	1.50	1.742	1.89	6.9		
RPM	1800	1785	1773	1760	1750	1742	1730	0		
Efficiency (%)		46.6	63.0	70.3	74.0	75.1	76.2	76.2		
P.F. (%)	20.5	35.0	48.6	59.8	69.0	72.0	75.0	75.7		

Motor Speed Data

	LR	Pull-Up	BD	Rated	Idle
Speed (RPM)	0	120	1030	1750	1800
Current (Amps)	7.2	7.1	5.3	0.90	0.75
Torque (ft-lb)	6.9	6.7	8.2	1.50	0.00

Information Block

HP	0.5			
Sync. RPM	1800			
Frame	561821TFC08080			
Enclosure	TENV			
Construction	TTR			
Voltage	230/460 V			
Frequency	60 Hz			
Design	B			
LR Code letter	N			
Service Factor	1.15			
Temp Rise @ FL	85 °C			
Duty	CONT			
Ambient	40 °C			
Elevation	1,000 feet			
Rotor/Shaft wk²	0.06 Lb-Ft²			
Ref Wdg	TE484119 NONE			
Sound Pressure @ 1M	60 dBA			
VFD Rating	CONSTANT 1000:1			
Outline Dwg	A-SS403204-825			
Conn. Diag	A-EE7308			
Additional Specifications:				
0				
0				
R1	R2	X1	X2	Xm
17.0100	15.5930	19.2210	10.2060	390.0390



Speed - Torque Curve

