

PRODUCT INFORMATION PACKET

Model No: 056H17E5303
Catalog No: Y602
1/2, 1800, EPNV, 56C, 3/60/230/460
1000:1 Explosion Proof



Regal and Marathon are trademarks of Regal Beloit Corporation or one of its affiliated companies.
©2018 Regal Beloit Corporation, All Rights Reserved. MC017097E



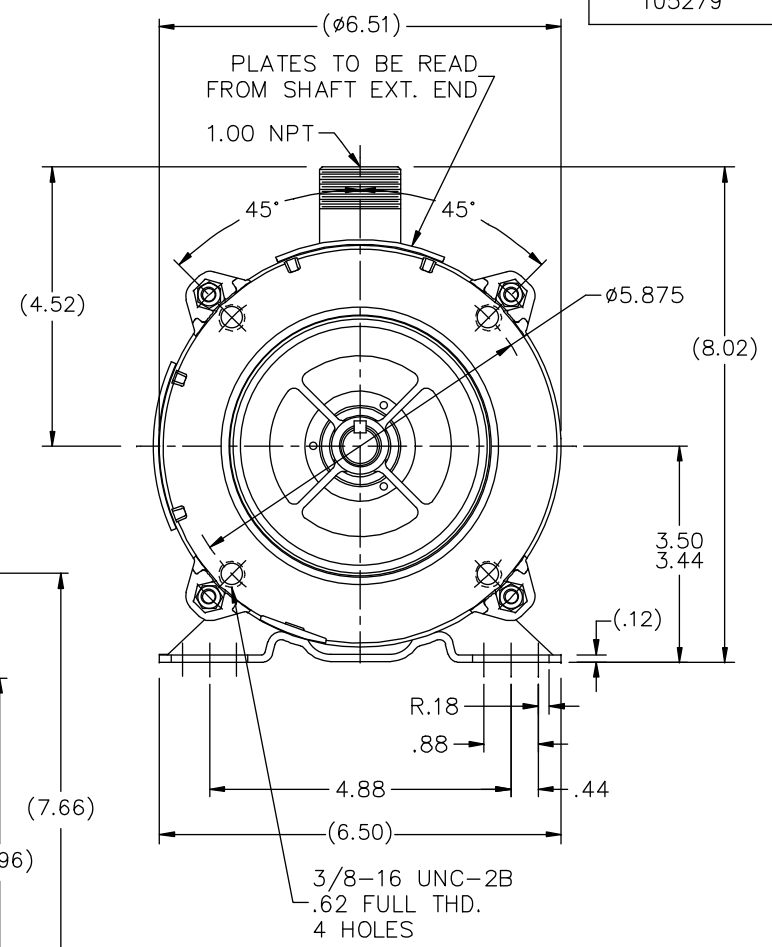
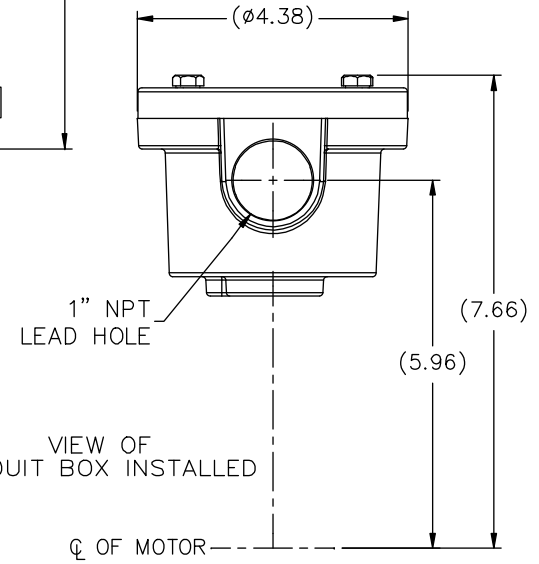
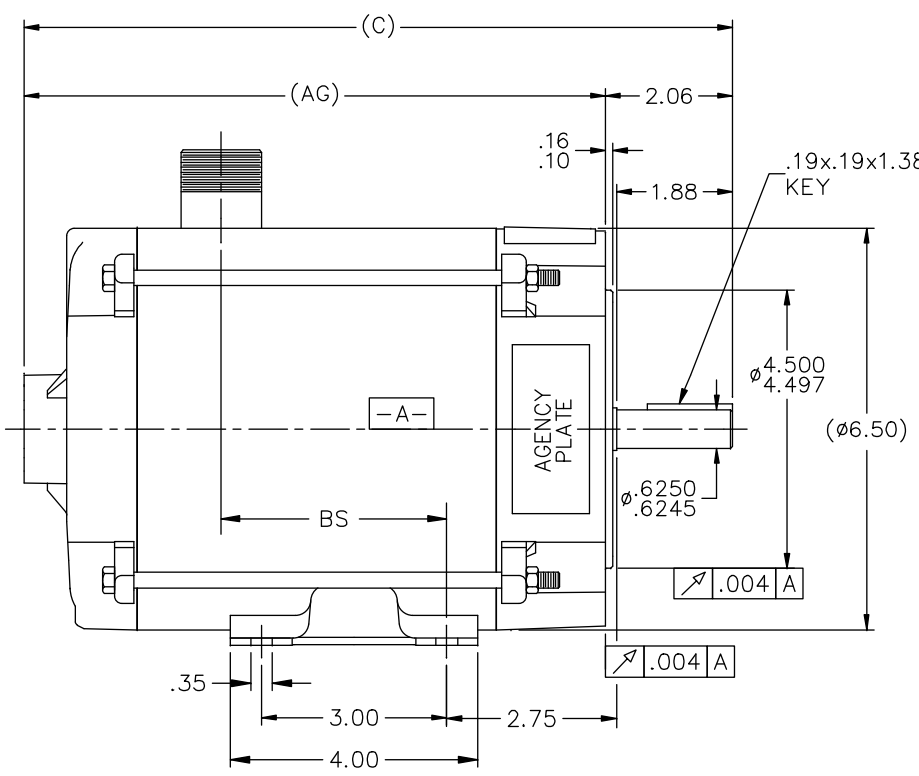


Nameplate Specifications

Output HP	0.50 Hp	Output KW	0.37 kW
Frequency	60 Hz	Voltage	230/460 V
Current	1.6/0.80 A	Speed	1725 rpm
Service Factor	1	Phase	3
Efficiency	80 %	Duty	Continuous
Insulation Class	F	Design Code	INV
KVA Code	L	Frame	56C
Enclosure	Explosion Proof Non Ventilated	Overload Protector	No
Ambient Temperature	40 °C	Drive End Bearing Size	6203
Opp Drive End Bearing Size	6203	UL	No
CSA	N	CE	N
IP Code	54		

Technical Specifications

Electrical Type	Squirrel Cage Inverter Duty	Starting Method	Inverter Only
Poles	4	Rotation	Reversible
Mounting	Rigid base	Motor Orientation	Horizontal
Drive End Bearing	Ball	Opp Drive End Bearing	Ball
Frame Material	Rolled Steel	Shaft Type	T
Overall Length	12.47 in	Frame Length	6.81 in
Shaft Diameter	0.625 in	Shaft Extension	2.06 in
Assembly/Box Mounting	F3		
Outline Drawing	B-105279-681	Connection Diagram	A-EE7308T



DASH	(C)	(AG)	BS
631	11.97	9.91	4.15
681	12.47	10.41	4.65
731	12.97	10.91	5.15
781	13.47	11.41	5.65
831	13.97	11.91	6.15
881	14.47	12.41	6.65
931	14.97	12.91	7.15
981	15.47	13.41	7.65

NO.	REVISION	BY & DATE	CHK	ANG	TOLERANCES UNLESS SPECIFIED		MARATHON ELECTRIC	DRAWN DRS 12-13-2001	
					DEC.	INCHES			
5	REVISED AK DIA ECR-0044440	SVL 11-06-2013						CHK ML 12-20-2001	
4	REVISED C'BOX PER CN40784A	JJB 02/23/2007	ML	.X	$\pm .1$			APPD SAS 12-21-2001	
3	REDRAWN ON AUTOCAD	DRS 08-16-2005	ML	.XX	$\pm .03$		TITLE OUTLINE - C'FACE	SCALE 1=2	
2	ROTATED C'BOX IN INSTALLED VIEW	MSG 12-28-2001	ML	.XXX	$\pm .005$		56 FR. - EXP. PR. - EPNV	REF	
1	NEW DRAWING MU39767	DRS 12-21-2001	ML	.XXXX	$\pm .0005$		MAT'L.	FMF	
NO. REVISION					BY & DATE	CHK	ANG	FINISH	PREV
THIS DRAWING IN DESIGN AND DETAIL IS OUR PROPERTY AND MUST NOT BE USED EXCEPT IN CONNECTION WITH OUR WORK ALL RIGHTS OF DESIGN AND INVENTION ARE RESERVED THIS IS AN ELECTRONICALLY GENERATED DOCUMENT - DO NOT SCALE THIS PRINT					RFP	CAD FILE 105279		SIZE DRAWING NO. PAGE OF REV.	
					DIST	WP	B	105279 5	

HIGH VOLTAGE



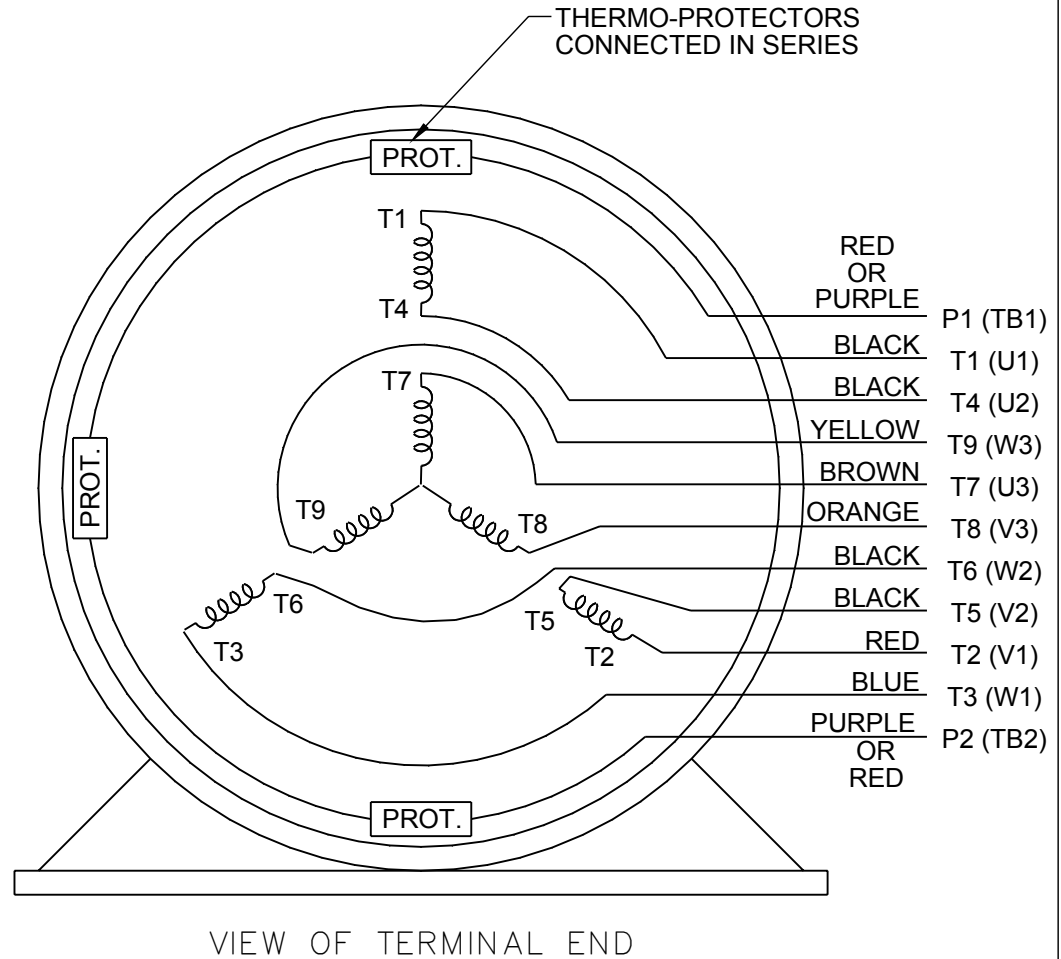
**NOTE FOR FACTORY USE ONLY:
 TO SURGE TEST FOR COMMON CONNECT:
 HIGH VOLT: CONNECT P1 TO T1
 THEN P2 TO L1
 LOW VOLT: CONNECT P1 TO T1 & T7,
 THEN P2 TO L1**

LOW VOLTAGE



NOTE: LEAD'S COLOR CAN BE YELLOW OR WHITE FOR MT2 PLANT

THREE PHASE DUAL VOLTAGE MOTOR



DRAWING REVISION R	REVISION BY AJW	DATE 07-17-2015		DRAWN BY SMC	Regal Beloit America, Inc.
ECO ECO-0081632	APPROVED BY T. VUE	DATE 07-17-2015		DATE 05-13-1992	
ECO DESCRIPTION REV'D IEC NOTATIONS PER IEC 60034-8				APPROVED BY TB	DESCRIPTION CONN DIAGRAM-INTERNAL
<small>COPYRIGHT REGAL BELOIT AMERICA, INC. ALL RIGHTS RESERVED. PROPRIETARY AND CONFIDENTIAL INFORMATION - THIS DOCUMENT IS THE PROPERTY OF REGAL BELOIT AMERICA, INC. ("OWNER") AND CONTAINS OWNER'S PROPRIETARY INFORMATION. ANY PERSON, CORPORATION OR OTHER FIRM RECEIVING IT IS DEEMED, BY RECEIVING IT, TO AGREE THAT IT, AND/OR ANY PART OF IT, SHALL NOT BE DISCLOSED TO ANY PERSON, CORPORATION OR OTHER ENTITY, DUPLICATED, AND/OR USED, EXCEPT AS EXPRESSLY APPROVED IN WRITING IN ADVANCE BY OWNER. THIS DOCUMENT SHALL BE RETURNED TO OWNER UPON REQUEST. IT MAY BE SUBJECT TO CERTAIN RESTRICTIONS UNDER APPLICABLE EXPORT CONTROL LAWS AND REGULATIONS.</small>				DATE 05-13-1992	3 PHASE - DUAL VOLTAGE MOTOR
			REFERENCE EE7308/EE7300	MATERIAL	PROCESS/FINISH
			THIRD ANGLE PROJECTION	SIZE A	DRAWING NUMBER EE7308T

CERTIFICATION DATA SHEET

Model#: 56H17E5303 B WINDING#: ZT471 R23 3
 CONN. DIAGRAM: A-EE7308T ASSEMBLY: F3
 OUTLINE: B-105279-681

TYPICAL MOTOR PERFORMANCE DATA

HP	KW	SYNC. RPM	F.L. RPM	FRAME	ENCLOSURE	KVA CODE	DESIGN
1/2	.37	1800	1725	56C	EPNV	L	INV

PH	Hz	VOLTS	FL AMPS	START TYPE	DUTY	INSL	S.F	AMB°C	ELEVATION
3	60	230/460	1.6/ .8	INVERTER ONLY	CONTINUOUS	F3	1.0	40	3300

FULL LOAD EFF: 80	3/4 LOAD EFF: 78.5	1/2 LOAD EFF: 75	GTD. EFF	ELEC. TYPE	NO LOAD AMPS
FULL LOAD PF: 72	3/4 LOAD PF: 63	1/2 LOAD PF: 50.5	77.5	SQ CAGE INV DUTY	1 / .5

F.L. TORQUE	LOCKED ROTOR AMPS	L.R. TORQUE	B.D. TORQUE	F.L. RISE°C
1.52 LB-FT	11.2 / 5.6	4.6 LB-FT 303	5.8 LB-FT 382	55

SOUND PRESSURE @ 3 FT.	SOUND POWER	ROTOR WK^2	MAX. WK^2	SAFE STALL TIME	STARTS /HOUR	APPROX. MOTOR WGT
62 dBA	72 dBA	0.056 LB-FT^2	0 LB-FT^2	0 SEC.	0	25 LBS.

EQUIVALENT WYE CKT.PARAMETERS (OHMS PER PHASE)

R1	R2	X1	X2	XM
22.30668	17.028	24.123	18.1632	532.9764
RM	ZREF	XR	TD	TD0
20263.32	567.6	1.5	0.0054	0.885

*** SUPPLEMENTAL INFORMATION ***

DE BRACKET TYPE	ODE BRACKET TYPE	MOUNT TYPE	ORIENTATION	SEVERE DUTY	HAZARDOUS LOCATION	DRIP COVER	SCREENS	PAINT
C-FACE	STANDARD	RIGID	HORIZONTAL	FALSE	EXP PROOF CL I GR C&D CL II GR F&G T3B	FALSE	NONE	BLACK (POWDER)

BEARINGS		GREASE	SHAFT TYPE	SPECIAL DE	SPECIAL ODE	SHAFT MATERIAL	FRAME MATERIAL
DE	OPE	POLYREX EM	T	NONE	NONE	1144 STRESSPROOF (C-223)	ROLLED STEEL
BALL	BALL						
6203	6203						

THERMO-PROTECTORS				THERMISTORS	CONTROL	SPACE /n HEATERS
THERMOSTATS	PROTECTORS	WDG RTDs	BRG RTDs	NONE	FALSE	NONE VOLTS
TSTATS (N/C)	NOT	NONE	NONE			

If Inverter equals NONE, contact factory for further information

INVERTER TORQUE: CONSTANT 1000:1
 INV. HP SPEED RANGE: 2.0 X BASE SPEED

*
 N
 O
 T
 E
 S

ENCODER: NONE		
NONE	NONE	
NONE	NONE PPR	
BRAKE: NONE NONE		
NONE	P/N	NONE
NONE	NONE	
NONE FT-LB	NONE V	NONE Hz

DATE: 06/28/2017 12:51:04 AM
FORM 3531 REV.3 02/07/99
** Subject to change without notice.



Submital

Data @ 460 V

Date: 8/24/2017
 Customer:
 Attention:
 Submitted by: VINAYAK VERARTE

Motor Load Data

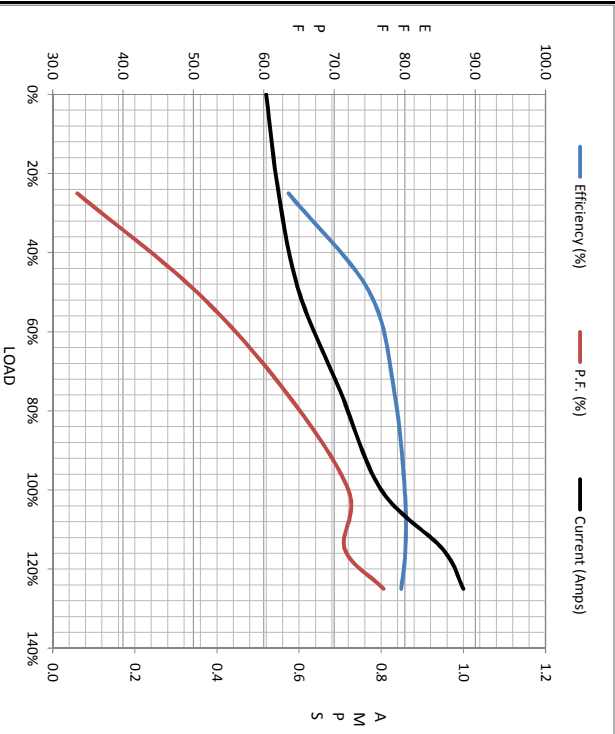
Load	0%	25%	50%	75%	100%	115%	125%	LR
Current (Amps)	0.52	0.56	0.60	0.70	0.80	0.95	1.00	5.6
Torque (ft-lb)	0.00	0.37	0.75	1.10	1.52	1.70	1.90	4.6
RPM	1800	1785	1775	1760	1735	1735	1725	0
Efficiency (%)		63.5	75.0	78.5	80.0	80.1	79.5	
P.F. (%)	11.0	33.5	50.5	63.0	72.0	71.5	77.0	69.5

Motor Speed Data

	LR	Pull-Up	BD	Rated	Idle
Speed (RPM)	0	800	1330	1735	1800
Current (Amps)	5.6	5.0	3.5	0.80	0.52
Torque (ft-lb)	4.6	4.2	5.8	1.52	0.00

Information Block

HP	0.5			
Sync. RPM	1800			
Frame	56			
Enclosure	ERNV			
Construction	TTR			
Voltage	230/460 V			
Frequency	60 Hz			
Design	B			
LR Code letter	L			
Service Factor	1.0			
Temp Rise @ FL	55 °C			
Duty	CONT			
Ambient	40 °C			
Elevation	1,000 feet			
Motor/Shaft wkt	0.06 Lb-Ft²			
Ref Wdg	ZT 471 R23			
Sound Pressure @ 1M	62 dBA			
VFD Rating	CONSTANT 1000:1			
Outline Dwg	B-105279-681			
Conn. Diag	A-E7/308T			
Additional Specifications:				
0				
0				
R1	R2	X1	X2	Xm
22.3070	17.0280	24.1230	18.1630	532.9760



Speed -Torque Curve

