

PRODUCT INFORMATION PACKET

Model No: 056E17F1003
Catalog No: Z604
1/3,1800,TEFC,56C,DC/90
SCR



Regal and Marathon are trademarks of Regal Beloit Corporation or one of its affiliated companies.
©2018 Regal Beloit Corporation, All Rights Reserved. MC017097E





Nameplate Specifications

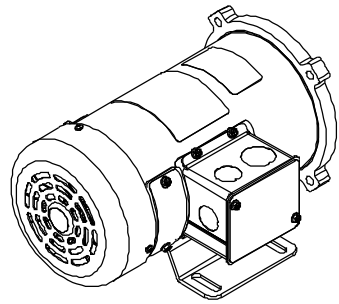
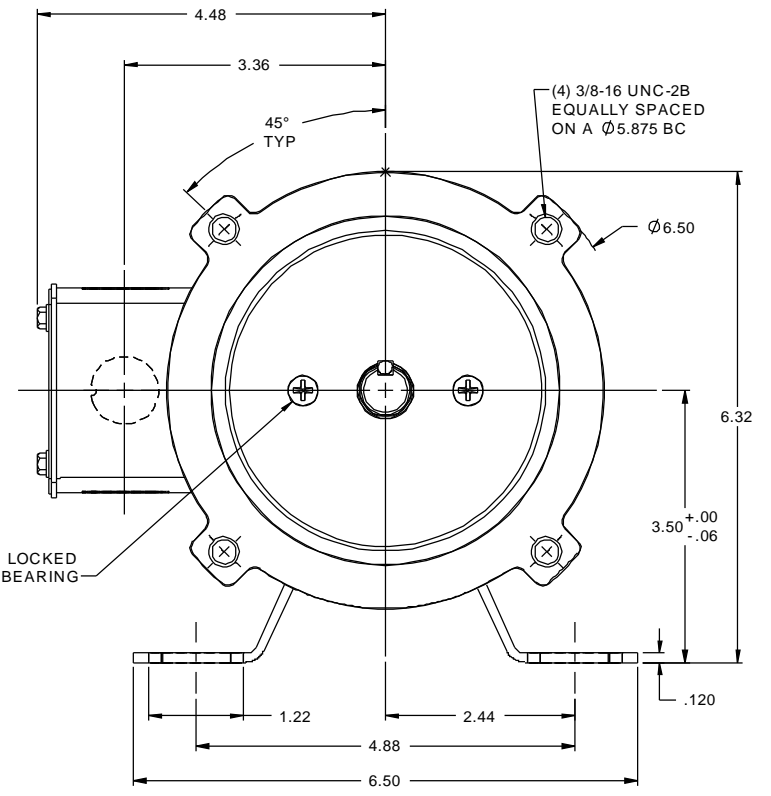
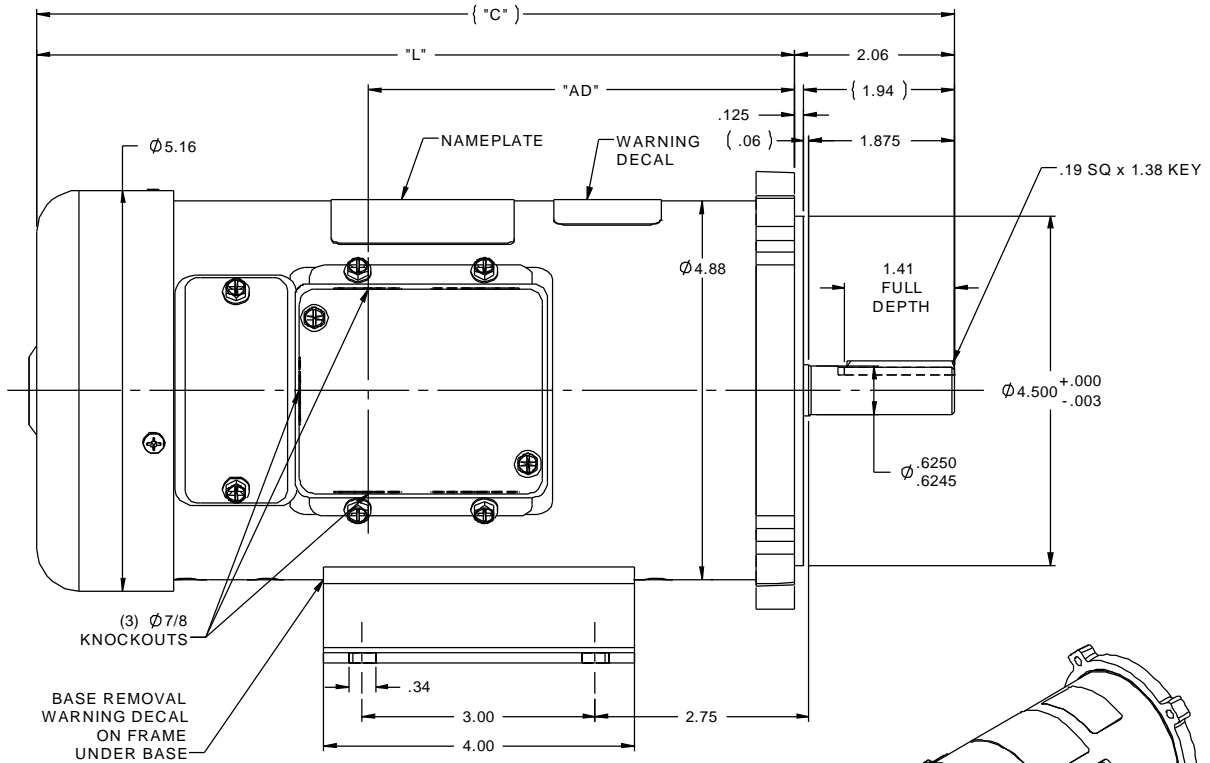
| | | | |
|----------------------------|------------------------------------|------------------------|-------------------|
| Output HP | 0.33 Hp | Output KW | 0.25 kW |
| Voltage | 90 V | Current | 3.5 A |
| Speed | 1750 rpm | Service Factor | 1 |
| Efficiency | 82 % | Duty | Continuous |
| Insulation Class | F | Frame | MSS56C |
| Enclosure | Totally Enclosed Fan Cooled | Overload Protector | No |
| Ambient Temperature | 40 °C | Drive End Bearing Size | 6203 |
| Opp Drive End Bearing Size | 6203 | UL | Recognized |
| CSA | Y | CE | N |

Technical Specifications

| | | | |
|-----------------|----------------------------------|----------------|---------------------|
| Rotation | Counterclockwise Lead End | Mounting | Rigid C base |
| Frame Length | 7.00 in | Shaft Diameter | 0.625 in |
| Outline Drawing | 027811-700 | | |

This is an uncontrolled document once printed or downloaded and is subject to change without notice. Date Created: 07/02/2018

RBC PROPRIETARY AND CONFIDENTIAL INFORMATION
 This document is the property of REGAL BELOIT CORPORATION ("RBC") including its subsidiaries and divisions and contains proprietary information of RBC. This document is loaned on the express condition that neither it nor the information contained therein shall be disclosed to others without the express written consent of RBC, and that the information shall be used by the recipient only as approved expressly by RBC. This document shall be returned to RBC upon its request. This document may be subject to certain restrictions under U.S. export control laws and regulations.



- NOTES:
 1) MAXIMUM FACE RUNOUT .004 T.I.R.
 2) MAXIMUM PILOT ECCENTRICITY .004 T.I.R.
 3) PERMISSIBLE SHAFT RUNOUT .002 T.I.R.
 4) GASKETS THROUGHOUT.

| | | | | | | |
|-------------|-------|-------|------|-------|------|------|
| 056E17F1008 | 13.81 | 11.75 | 7.49 | 180 | 3/4 | 1750 |
| 056E17F1007 | 13.81 | 11.75 | 7.49 | 90 | 3/4 | 1750 |
| 056E17F1006 | 11.81 | 9.75 | 5.49 | 180 | 1/2 | 1750 |
| 056E17F1005 | 11.81 | 9.75 | 5.49 | 90 | 1/2 | 1750 |
| 056E17F1004 | 11.31 | 9.25 | 4.99 | 180 | 1/3 | 1750 |
| 056E17F1003 | 11.31 | 9.25 | 4.99 | 90 | 1/3 | 1750 |
| 056E17F1002 | 11.31 | 9.25 | 4.99 | 180 | 1/4 | 1750 |
| 056E17F1001 | 10.81 | 8.75 | 4.49 | 90 | 1/4 | 1750 |
| CATALOG No. | "C" | "L" | "AD" | VOLTS | H.P. | RPM |

| | | | | | |
|------------------------|---|-----------------------------|--------------------------|---------------------------|-------------------|
| | | TOLERANCES UNLESS SPECIFIED | | DRAWN RPB 2/15/02 | |
| | | DEC INCHES | | CHK | |
| | | X ±.1 | | APPR | |
| 03 | REDRAWN IN SOLIDWORKS, UPDATED TABLE, PER 056E17F1004 PRODUCTION RELEASE (MU112258) | IPG 2/21/2013 | XX ±.03 | TITLE OUTLINE | SCALE 5:8 |
| 02 | ADDED FAN GUARD HOLE PLUG, ISAAC 10-4174 | IPG 10/11/10 | XXX ±.005 | 42 FRAME DC - SS56C MOUNT | REF 027620 |
| NO | REVISION | BY & DATE | CHK LANG ±1/2° | MATL | FMF 098303.00 |
| THIRD ANGLE PROJECTION | | | RFP | FINISH | PAGE OF |
| | | | PREV | SIZE B | DRAWING NO 027811 |
| | | | NETWORK FILE NAME 027811 | | REV 03 |