

PRODUCT INFORMATION PACKET

Model No: 056B17DRR70008A1

Catalog No: E268A

General Purpose Motor, 0.75 & 0.75 HP, 1 Ph, 60 & 50 Hz, 120/240 & 100-120/200-240 V,
1800 & 1500 RPM, 56C Frame, DP

Operational at 100-120/200-240 V @60HZ



Regal and Marathon are trademarks of Regal Rexnord Corporation or one of its affiliated companies.

©2023 Regal Rexnord Corporation, All Rights Reserved. MC017097E

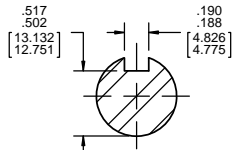
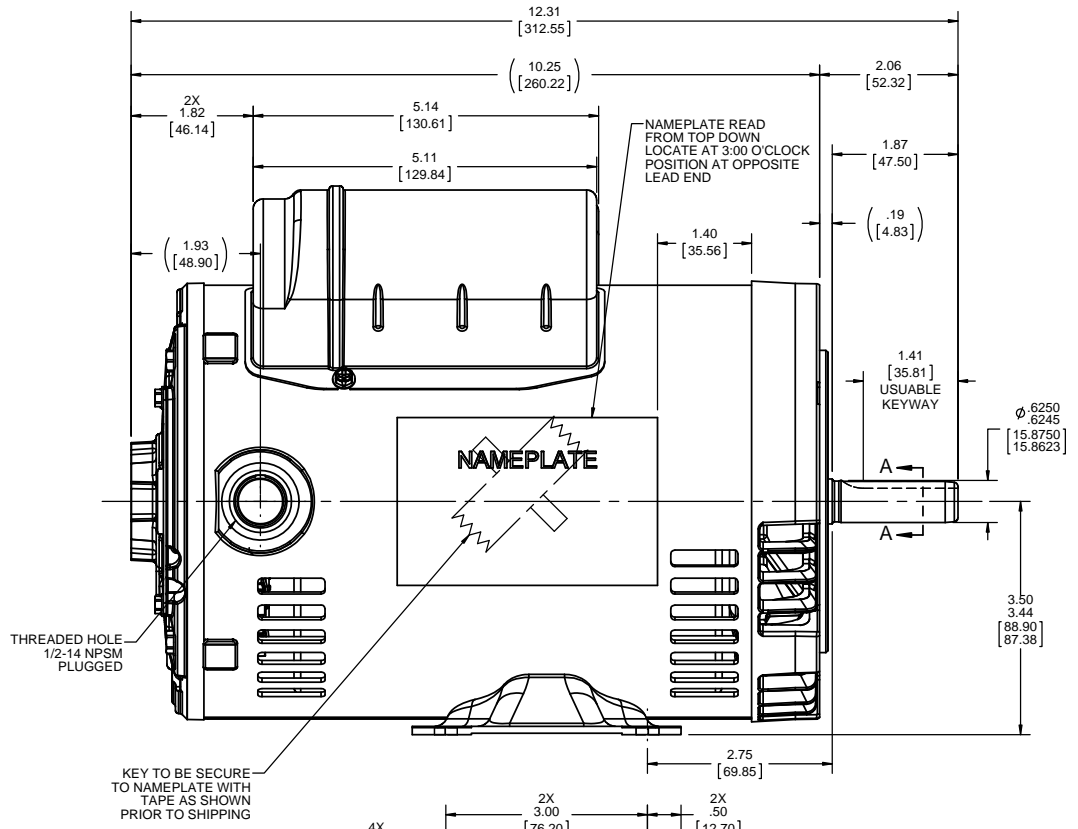
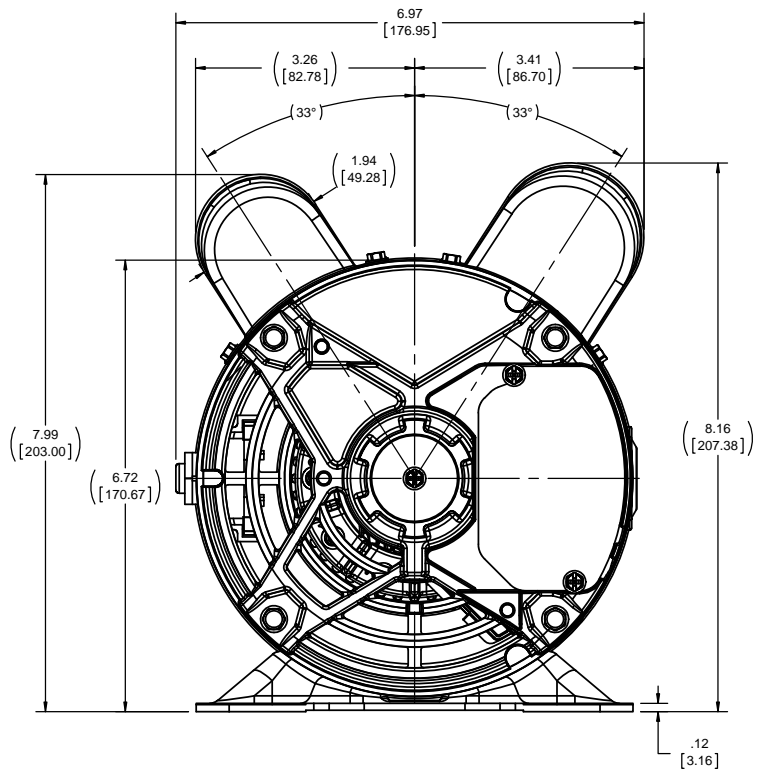


Nameplate Specifications

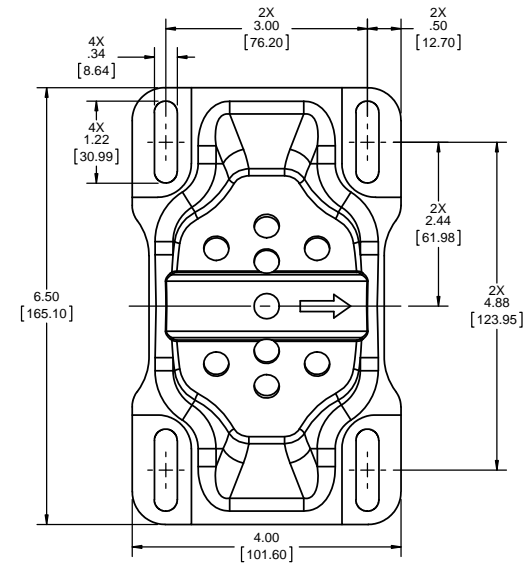
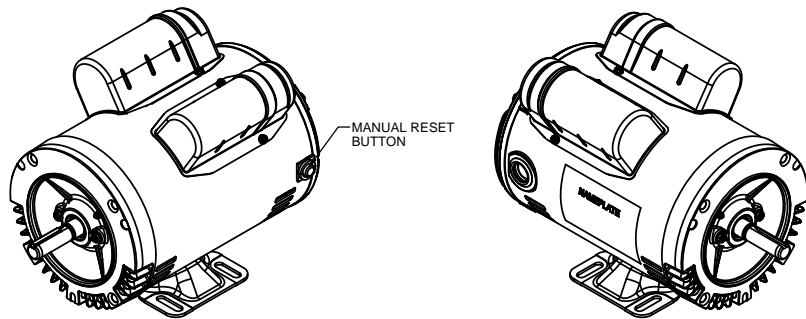
Phase	1	Output HP	0.75 & 0.75 Hp
Output KW	0.56 & 0.56 kW	Voltage	120/240 & 100-120/200-240 V
Speed	1725 & 1425 rpm	Service Factor	1.25 & 1.25
Frame	56C	Enclosure	Drip Proof
Thermal Protection	Manual	Efficiency	81.8 & 80 %
Ambient Temperature	40 °C	Frequency	60 & 50 Hz
Current	6.2/3.1 & 8-8/4-4 A	Power Factor	91
Duty	Continuous	Insulation Class	B
Design Code	N	KVA Code	L
Drive End Bearing Size	6203	Opp Drive End Bearing Size	6203
UL	Recognized	CSA	Y
CE	Y	IP Code	22
Number of Speeds	1		

Technical Specifications

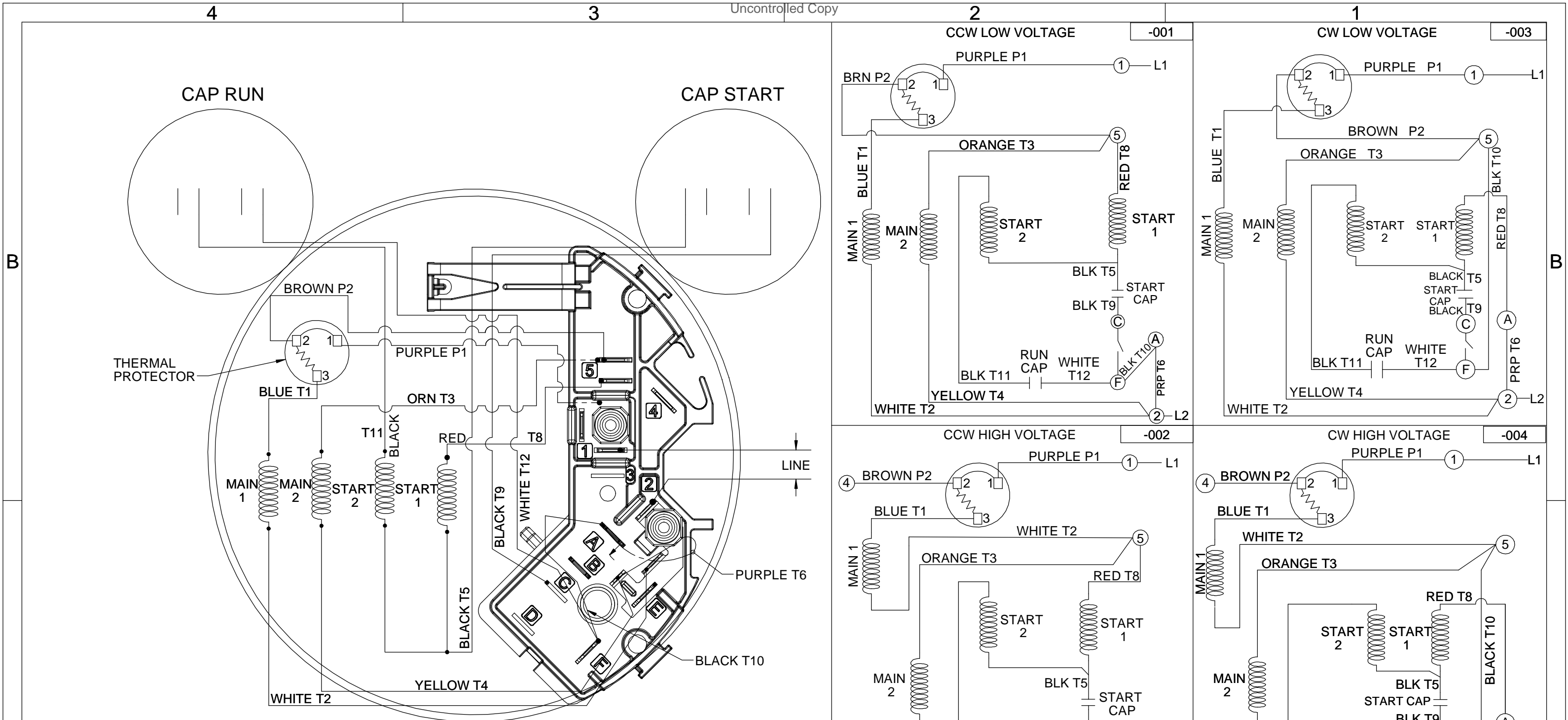
Electrical Type	Capacitor Start Capacitor Run	Starting Method	Across The Line
Poles	4	Rotation	Selective Counterclockwise
Resistance Main	0 Ohms	Mounting	Rigid Base
Motor Orientation	Horizontal	Drive End Bearing	Ball
Opp Drive End Bearing	Ball	Frame Material	Rolled Steel
Shaft Type	NEMA 56	Overall Length	12.31 in
Shaft Diameter	0.625 in	Shaft Extension	1.88 in
Assembly/Box Mounting	F1 ONLY		
Connection Drawing	CDBD124	Outline Drawing	OL56100187-001



SECTION A-A



DRAWING REVISION A	REVISION BY D.VALENCIANO	DATE 11-09-2016	TOLERANCES UNLESS OTHERWISE SPECIFIED: DEC. INCH mm ANGLE X ±0.1 [±2.5] 30.5° XX ±0.03 [±0.76] XXX ±0.005 [±0.127] XXXX ±0.0005 [±0.0127]	DRAWN BY D.VALENCIANO	Regal Beloit America, Inc.	
ECO-0112665	APPROVED BY J.ORTEGA	DATE 11-09-2016	REMOVE BURRS & BREAK SHARP EDGES: .003/.015 [0.076/.381] X 45° CORNER FILLETS: R.02 [.51] MACHINED SURFACES: 125 √mm 3/2 INCH √mm	DATE 11-09-2016		
ECO DESCRIPTION NEW MODEL RELEASE	COPYRIGHT REGAL BELOIT AMERICA, INC. ALL RIGHTS RESERVED. PROPRIETARY AND CONFIDENTIAL INFORMATION - THIS DOCUMENT IS THE PROPERTY OF REGAL BELOIT AMERICA, INC. FORMER AND CONTAINS OWNERS PROPRIETARY INFORMATION. ANY PERSON, CORPORATION OR OTHER FIRM RECEIVING IT IS DEEMED, BY RECEIVING IT, TO AGREE THAT IT, AND/OR ANY PART OF IT, SHALL NOT BE DISCLOSED TO ANY PERSON, CORPORATION OR OTHER ENTITY, DUPLICATED, AND/OR USED, EXCEPT AS EXPRESSLY APPROVED IN WRITING IN ADVANCE BY OWNER. THIS DOCUMENT SHALL BE RETURNED TO OWNER UPON REQUEST. IT MAY BE SUBJECT TO CERTAIN RESTRICTIONS UNDER APPLICABLE EXPORT CONTROL LAWS AND REGULATIONS.		DESCRIPTION 56FR,ODP,1-PHASE,RIGID	REFERENCE	MATERIAL	PROCESS FINISH
	SIZE C	DRAWING NUMBER OL56100187-001	THIRD ANGLE PROJECTION	SHEET 1 OF 1		



CCW/CW ROTATION-CAP START AND CAP RUN DUAL VOLTAGE WITH PROTECTOR

- NOTES:
- FOR HI VOLTAGE REMOVE BROWN P2 FROM TERMINAL #5 AND PLACE ON TERMINAL #4, REMOVE WHITE T2 FROM TERMINAL #2 AND PLACE ON TERMINAL #5
 - TO REVERSE ROTATION, INTERCHANGE RED T8 & BLACK T10.
 - SWITCH REF. 10003283-001-001
 - CONN DIAGRAM-NAMEPLATE DD10114-001

DRAWING REVISION E	REVISION BY J.CORTEZ	DATE 12-07-2018
ECO ECO-0158061	APPROVED BY J.CORTEZ	DATE 12-07-2018
ECO DESCRIPTION UPDATED, SEE ECO		
<small>COPYRIGHT REGAL BELOIT AMERICA, INC. ALL RIGHTS RESERVED. PROPRIETARY AND CONFIDENTIAL INFORMATION - THIS DOCUMENT IS THE PROPERTY OF REGAL BELOIT AMERICA, INC. ("OWNER") AND CONTAINS OWNER'S PROPRIETARY INFORMATION. ANY PERSON, CORPORATION OR OTHER FIRM RECEIVING IT IS DEEMED, BY RECEIVING IT, TO AGREE THAT IT, AND/OR ANY PART OF IT, SHALL NOT BE DISCLOSED TO ANY PERSON, CORPORATION OR OTHER ENTITY, DUPLICATED, AND/OR USED, EXCEPT AS EXPRESSLY APPROVED IN WRITING IN ADVANCE BY OWNER. THIS DOCUMENT SHALL BE RETURNED TO OWNER UPON REQUEST. IT MAY BE SUBJECT TO CERTAIN RESTRICTIONS UNDER APPLICABLE EXPORT CONTROL LAWS AND REGULATIONS.</small>		

TOLERANCES UNLESS OTHERWISE SPECIFIED:

DEC.	INCH	mm	ANGLE
.X	±0.1	[±2.5]	±0.5°
.XX	±0.01	[±0.25]	
.XXX	±0.005	[±0.127]	
.XXXX	±0.0005	[±0.0127]	

REMOVE BURRS & BREAK SHARP EDGES: .003/.015 [.076/.381] CORNER FILLETS: .02 [.51] MACHINED SURFACES: 125 INCH / 3.2 mm SHOWN IN [BRACKETS]

DRAWN BY G. RODRIGUEZ	DATE 06-08-2018
APPROVED BY EVERTS MARTINEZ	DATE 06-08-2018
REFERENCE	
THIRD ANGLE PROJECTION	

Regal Beloit America, Inc.	
DESCRIPTION CONN DIAGRAM-EXTERNAL	
MATERIAL	PROCESS/FINISH
SIZE B	DRAWING NUMBER CDBD124
	SHEET 1 OF 1

CERTIFICATION DATA SHEET

Model#: 56B17DRR70008A1 A **WINDING#:** NB56461 NONE 3
CONN. DIAGRAM: CDBD101 **ASSEMBLY:** F1 ONLY
OUTLINE: OL56100187-001

TYPICAL MOTOR PERFORMANCE DATA

HP	KW	SYNC. RPM	F.L. RPM	FRAME	ENCLOSURE	KVA CODE	DESIGN
3/4&3/4	.56&.56	1800	1725&1425	56C	DP	L	NO DESIGN CODE

PH	Hz	VOLTS	FL AMPS	START TYPE	DUTY	INSL	S.F	AMB°C	ELEVATION
1	60/50	100-120/200-240#100-120/200-240	6.2/3.1&8-8/4-4	ACROSS THE LINE	CONTINUOUS	B3	1.25/1.25	40	3300

FULL LOAD EFF: 81.8&80	3/4 LOAD EFF: -	1/2 LOAD EFF: 82.3	GTD. EFF	ELEC. TYPE	NO LOAD AMPS
FULL LOAD PF: 88&75.4	3/4 LOAD PF: -	1/2 LOAD PF: 88.5	78.5	CAP START CAP RUN	2.6 / 1.3

F.L. TORQUE	LOCKED ROTOR AMPS	L.R. TORQUE	B.D. TORQUE	F.L. RISE°C
2.28 LB-FT	60.4 / 30.2	8.61 LB-FT 503.28	7.24 LB-FT 423.3	20

SOUND PRESSURE @ 3 FT.	SOUND POWER	ROTOR WK^2	MAX. WK^2	SAFE STALL TIME	STARTS /HOUR	APPROX. MOTOR WGT
0 dBA	10 dBA	0 LB-FT^2	0 LB-FT^2	0 SEC.	0	0 LBS.

***** SUPPLEMENTAL INFORMATION *****

DE BRACKET TYPE	ODE BRACKET TYPE	MOUNT TYPE	ORIENTATION	SEVERE DUTY	HAZARDOUS LOCATION	DRIP COVER	SCREENS	PAINT
C-FACE	STANDARD	RIGID	HORIZONTAL	FALSE	NONE	FALSE	NONE	GRAY (POWDER)

BEARINGS		GREASE	SHAFT TYPE	SPECIAL DE	SPECIAL ODE	SHAFT MATERIAL	FRAME MATERIAL
DE	OPE						
BALL	BALL	POLYREX EM	STANDARD 56	NONE	NONE	AISI 1215 (MS1000)	ROLLED STEEL
6203	6203						

THERMO-PROTECTORS				THERMISTORS	CONTROL	SPACE /n HEATERS
THERMOSTATS	PROTECTORS	WDG RTDs	BRG RTDs			
NONE	MANUAL	NONE	NONE	NONE	FALSE	NONE VOLTS

If Inverter equals NONE, contact factory for further information

*
N
O
T
E
S
*

INVERTER TORQUE: NONE
INV. HP SPEED RANGE: NONE
ENCODER: NONE
NONE NONE
NONE NONE PPR
BRAKE: NONE NONE
NONE P/N NONE
NONE NONE
NONE FT-LB NONE V NONE Hz

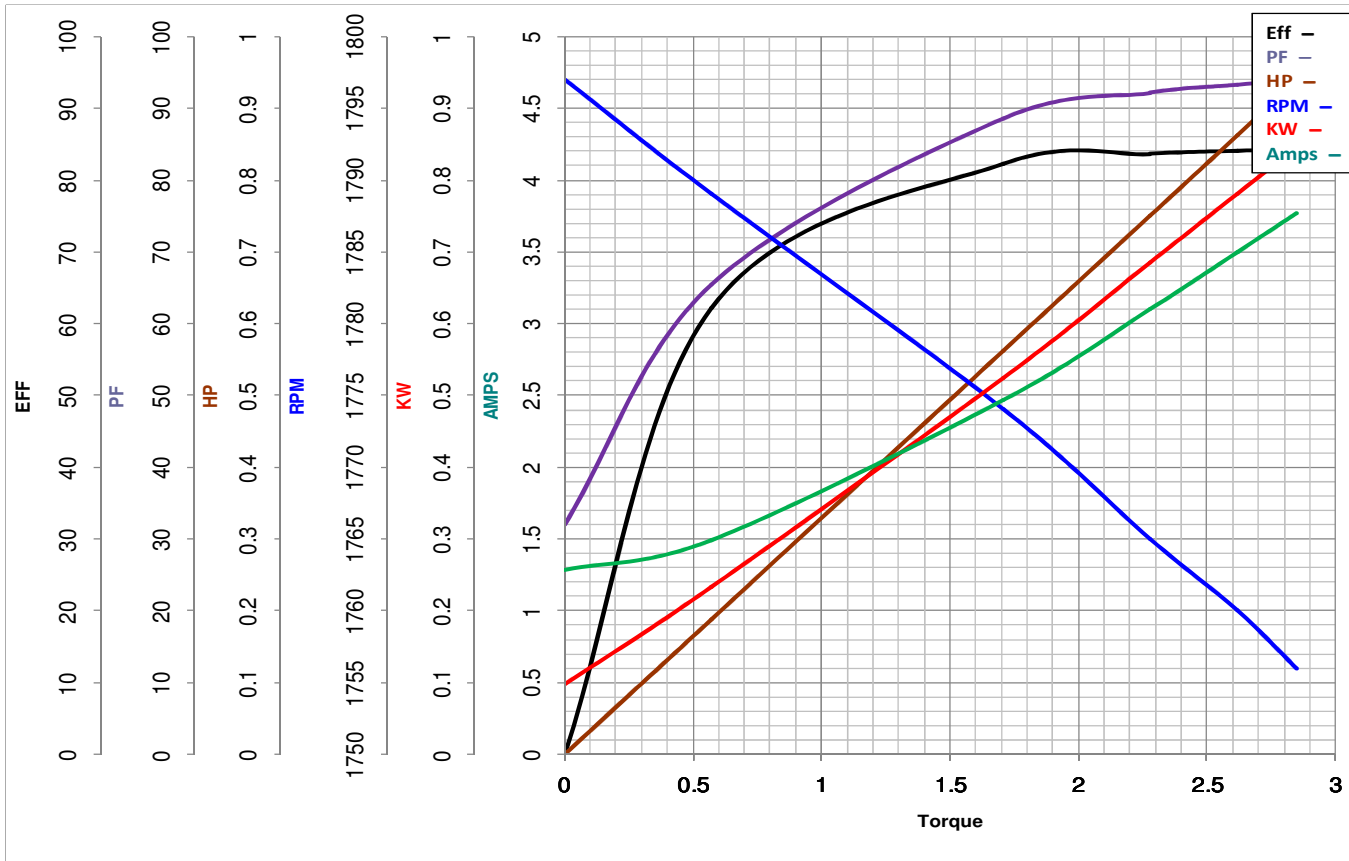
DATE: 06/27/2017 05:46:12 AM

FORM 3531 REV.3 02/07/99
** Subject to change without notice.



MARATHON ELECTRIC CORPORATION
TYPICAL PERFORMANCE CURVE for AC MOTOR

Customer _____ Curve at 240 Volts HP 0.75&0.75 PHASE 1
 Model No 56B17DRR70008A1 60 HZ
0.75 HP VOLTS 100-120/200-240&100-120/200-240
 Catalog No E268A HZ 60&50 RPM 1725&1425



		Torque in Lb.Ft		
FL TORQUE	<u>2.28</u>	Lb.Ft	FL AMPS	<u>6.8-6.2/3.4-3.1</u>
BD TORQUE	<u>7.2</u>	Lb.Ft	PU TORQUE	<u>8.1</u> Lb.Ft
LR TORQUE	<u>8.61</u>	Lb.Ft	LR AMPS	<u>30.18</u>
WINDING	NB56461-3		Date	1/11/2019

EC Declaration of Conformity

The undersigned representing
the manufacturer:

Regal Beloit America
100 East Randolph St.
Wausau, WI 54401

and the authorized representative
established within the Community:

Marathon Electric UK
6F Thistleton Road Ind. Estate
Market Overton
Oakham, Rutland LE15 7PP UK

are committed to providing customers with products that comply with applicable regulations and international protocols to which they are subject, including the requirements of the European Parliament Directive on the Harmonization of the laws relating to electrical equipment designed for use within certain voltage limits (2014/35/EU).

Regal Beloit America declares that the following product(s), to which this declaration relates, are in conformity with the relevant sections of the EC standards listed below.

This statement supersedes any statements previously issued pertaining to the product(s) listed below and is subject to change without notice.

Model No : 056B17DRR70008A1

(Model No. may contain prefix and/or suffix characters)

Catalog No : E268A

Rework No : N/A

Directives :

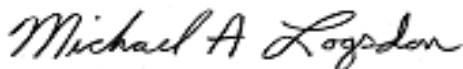
Low Voltage Directive 2014/35/EU

Harmonized Standards Used :

EN 60034-1: 2010 (IEC 60034-1: 2010)

EN 60034-5: 2001/A1:2007 (IEC 60034-5: 2000/A1:2006)

Authorized Representative:



Michael A. Logsdon
Vice President, Technology

Authorized Representative in the Community:



Julian Clark
Marketing Engineer

Created on 09/01/2022

CE 22