

PRODUCT INFORMATION PACKET

Model No: 5KH49UN3024X
Catalog No: H280
1/3,850,DP,56CZ,1/60/115
Single Phase



Regal and Marathon are trademarks of Regal Beloit Corporation or one of its affiliated companies.
©2018 Regal Beloit Corporation, All Rights Reserved. MC017097E



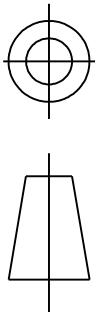
Nameplate Specifications

Output HP	1/3 Hp	Output KW	0.25 kW
Frequency	60 Hz	Voltage	115 V
Current	9.2 A	Speed	850 rpm
Service Factor	1.35	Phase	1
Efficiency	52.5 %	Duty	Continuous
Insulation Class	B	KVA Code	M
Frame	56CZ	Enclosure	Drip Proof
Overload Protector	AUTO	Ambient Temperature	40 °C
Drive End Bearing Size	6203	Opp Drive End Bearing Size	6203
UL	Recognized	CSA	Yes
CE	N		

Technical Specifications

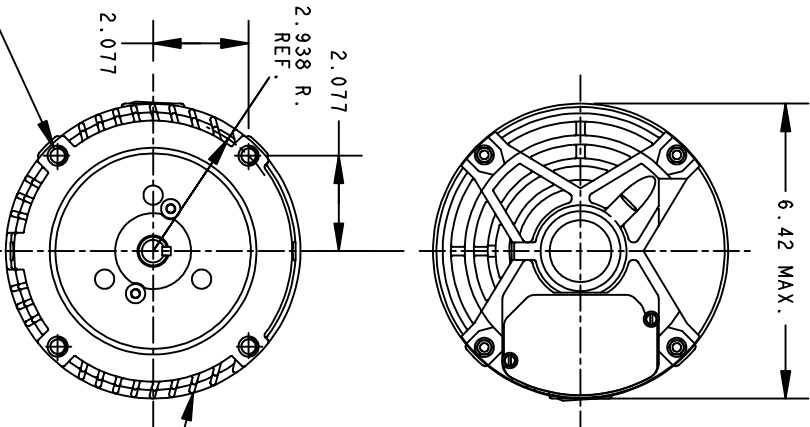
Electrical Type	Split Phase	Starting Method	SM
Poles	8	Rotation	Counterclockwise/Clockwise
Mounting	Round	Motor Orientation	ANY
Drive End Bearing	BALL	Opp Drive End Bearing	BALL
Frame Material	Rolled Steel	Overall Length	13.59 in
Frame Length	8.99 in	Shaft Diameter	0.63 in
Shaft Extension	2.25 in	Thru-bolts Extension	0
Outline Drawing	52A109664P1	Connection Diagram	52A105379AA

This is an uncontrolled document once printed or downloaded and is subject to change without notice. Date Created: 10/08/2018

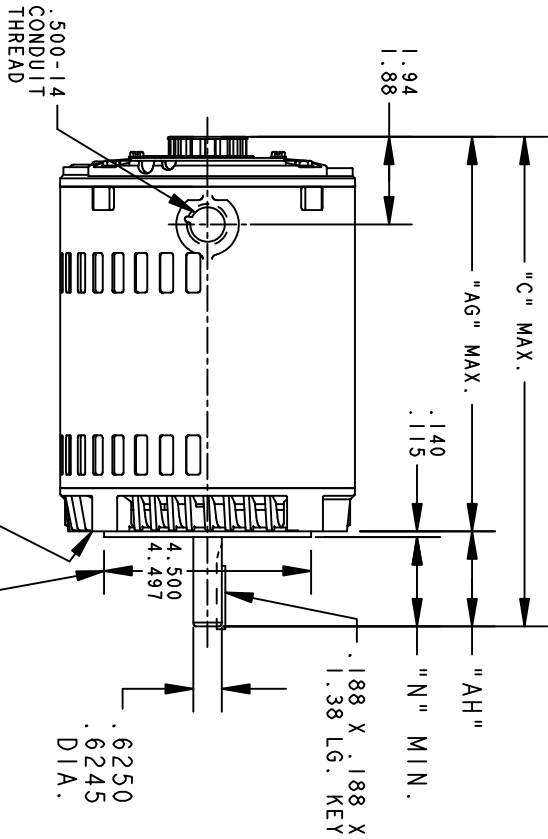


THIRD ANGLE PROJECTION

REVISIONS		DATE	APPROVED
REV.	DESCRIPTION		
1	CORRECTED OPE ENDSHIELD & KEY.	10/10/94	M.D.PAPE
2	CHG TO RBC FORMAT PER IS05-1777	03/22/06	SUDHA



.375-16UNC-2B (4 HOLES) .70 MIN. FULL THREAD. THESE HOLES FIT A GAGE HAVING A RABBIT 4.5005 DIA. AND 4 PINS .2917 DIA. LOCATED ON THE BASIC HOLE POSITION



FACE RUNOUT (WITH INDICATOR MOUNTED STATIONARY, RELATIVE TO SHAFT) MUST NOT EXCEED .004 T.I.R.
ECCENTRICITY OF THIS SURFACE (WITH INDICATOR MOUNTED STATIONARY, RELATIVE TO SHAFT) MUST NOT EXCEED .004 T.I.R.
VIEW OF P.E. END SHIELD

ALL DIMENSIONS ARE IN INCHES

P	TYPE	GE SIZE	NEMA "C"	"AG"	"N"	"AH"	MIN. SHELL	
1	K-KH	49	56CZ	13.59	11.10	2.25	2.39 2.27	8.99

SIGNATURES		DATE
MODEL	MA MARKS	08/17/94
DETAIL		
CHECKED		
ENGRG		
MFG		

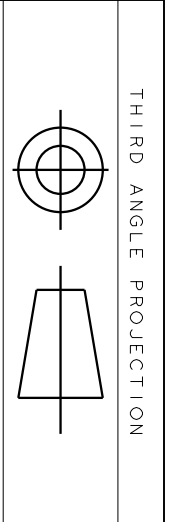
REGAL-BELOIT CORPORATION

TITLE
OUTLINE

GENERAL PURPOSE MOTOR - DRIP PROOF - BALL BEARING R2 END MOUNTED

FOR ADDITIONAL INFO REFER TO:		
APPLIED PRACTICES	QUALITY	
DIMENSIONS ARE IN INCHES	ISSUED	M.A.M. 08/17/94
MATERIAL	SOLID MODEL:	52A109664

SIZE	DRAWING	SCALE:	REF. No.:	SHEET	REV
A	A	0.250		1 of 1	2



REVISIONS		DATE	APPROVED
REV.	DESCRIPTION		
6	UPDATED FORMAT	12/01/05	MAM

EITHER ROTATION-SINGLE VOLTAGE-TYPE KC OR KH-WITH THERMAL PROTECTOR



NOTE #1 - TO REVERSE ROTATION INTERCHANGE RED (T8) AND BLACK (J9-KC OR T5-KH) LEADS.
 NOTE #2 - WHEN MORE THAN ONE CAPACITOR IS USED CONNECT IN PARALLEL.

SWITCH (C) - 115D958AB REF. DIAG. - 121A851 CONN. LABEL - 52X332048

SIGNATURES	DATE
MODEL M.D.PAPE	06/29/87
DETAIL	
CHECKED	
ENGRG	
MFG	
QUALITY	
ISSUED	M.D.P. 03/08/00
SOLID MODEL: 52A105379AA	

REGAL-BELOIT CORPORATION

REGAL-BELOIT

CONNECTION DIAGRAM

FMF - 30 FR SWITCH REDESIGN

SCALE: 1.000 REF. No.:

SIZE DRAWING A

52A105379AA

REV 6