

# PRODUCT INFORMATION PACKET

Model No: 5KH39QN5529  
Catalog No: 4371  
1/3,1725,DP,48,1/60/230  
General Purpose Motors



Regal and Marathon are trademarks of Regal Rexnord Corporation or one of its affiliated companies.  
©2021 Regal Rexnord Corporation, All Rights Reserved. MC017097E

### Nameplate Specifications

Output HP	0.33 Hp	Output KW	0.25 kW
Frequency	60 Hz	Voltage	230 V
Current	3.3 A	Speed	1725 rpm
Service Factor	1	Phase	1
Efficiency	57.5 %	Power Factor	0
Duty	Continuous	Insulation Class	B
KVA Code	T	Frame	48
Enclosure	Drip Proof	Thermal Protection	N/R
Ambient Temperature	40 °C	Drive End Bearing Size	6203
Opp Drive End Bearing Size	6203	UL	Recognized
CSA	Yes	CE	N
Number of Speeds	1		

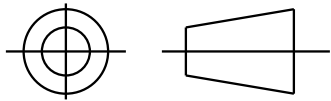
### Technical Specifications

Electrical Type	Split Phase	Starting Method	SM
Poles	4	Rotation	Counterclockwise/Clockwise
Mounting	Resilient Base	Motor Orientation	ANY
Drive End Bearing	BALL	Opp Drive End Bearing	Ball
Frame Material	Rolled Steel	Overall Length	8.94 in
Frame Length	5.16 in	Shaft Diameter	0.500 in
Shaft Extension	1.5 in		
Outline Drawing	52A106918P1	Connection Drawing	52A105377AA

This is an uncontrolled document once printed or downloaded and is subject to change without notice. Date Created:10/12/2021

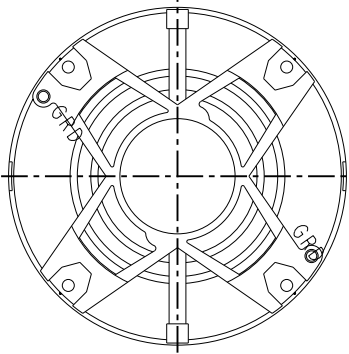
SHEET 1  
REV 5  
52A106918

THIRD ANGLE PROJECTION

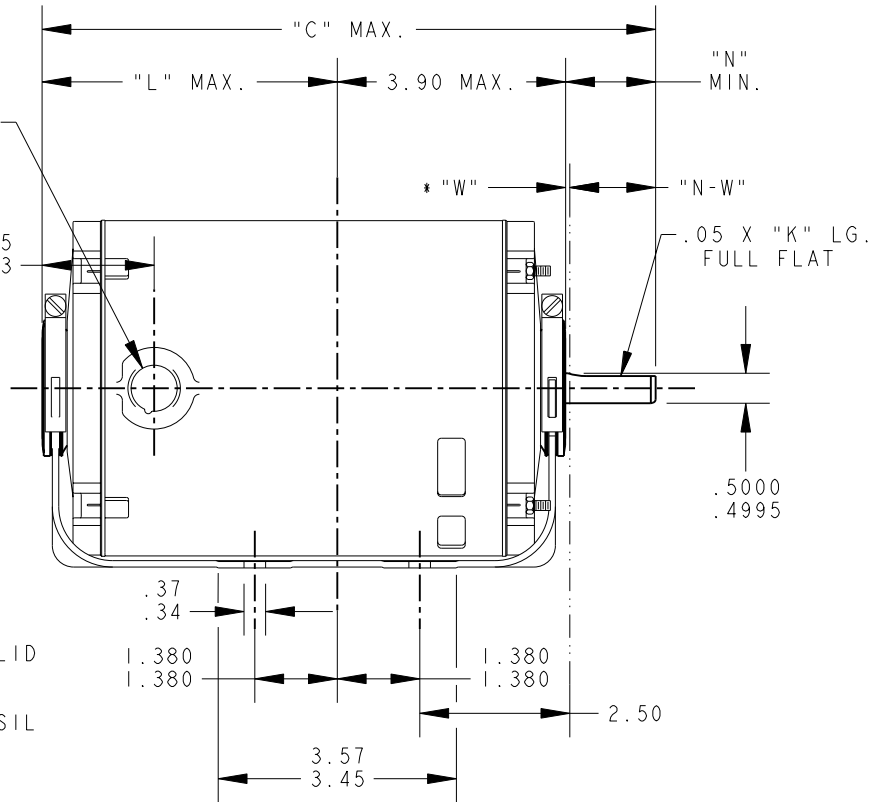
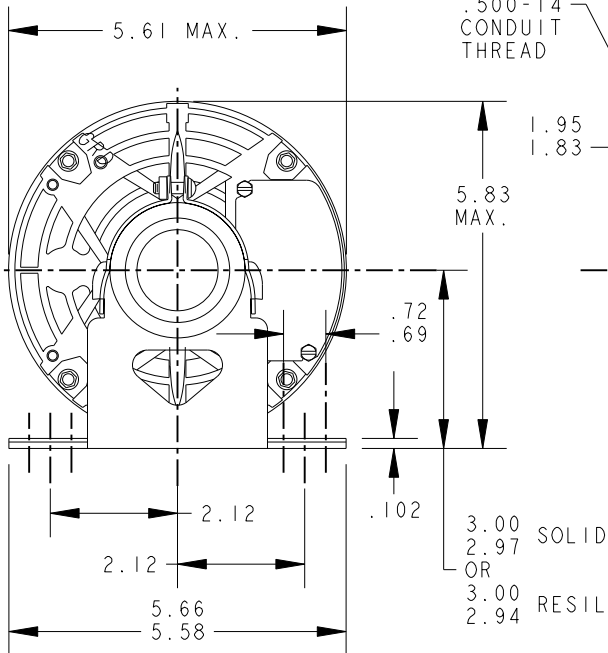


REVISIONS

REV.	DESCRIPTION	DATE	APPROVED
3	REDRAWN WITHOUT CHANGE	08/30/91	BLJ
4	REDRAWN BY 2M SOFTWARE CO.	03/04/95	CCP
5	CHG TO RBC FORMAT PER ISO5-1777	02/14/06	SUDHA




VIEW SHOWING P.E. VENTILATION OPENINGS



4	KH	35	48	9.56	1.16	4.22	1.50	1.63 1.41
3	KH	32	48Z	10.74	2.22	3.59	3.31	3.44 3.22
2	KH	33	48	9.18	1.16	3.84	1.50	1.63 1.41
1	K KH	32	48	8.93	1.16	3.59	1.50	1.63 1.41
P	TYPE	GE SIZE	NEMA FR	"C"	"K"	"L"	"N"	"N-W"

\* "W" IS A CLEARANCE DUE TO VARIATION IN PARTS AND ASSEMBLY

SIGNATURES		DATE
MODEL	J.L.MORRIS	02/17/89
DETAIL	.	.
CHECKED	.	.
ENGRG	.	.
MFG	.	.
QUALITY	.	.
ISSUED	C.C.P.	03/04/95
SOLID MODEL:	52A106918	



**REGAL-BELOIT CORPORATION**

TITLE **OUTLINE**

**FORM N - GENERAL PURPOSE MOTOR - DRIP PROOF  
SOLID OR RESIL. BASE - BALL OR SLEEVE BEARING**

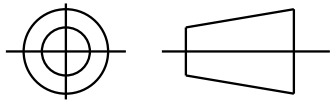
SIZE DRAWING **A**

SCALE: 0.250 REF. No: . SHEET 1 of 1

52A106918 REV 5

SHEET 1  
 REV 1  
 SIZE DRAWING NO. 52A105377AA  
 A

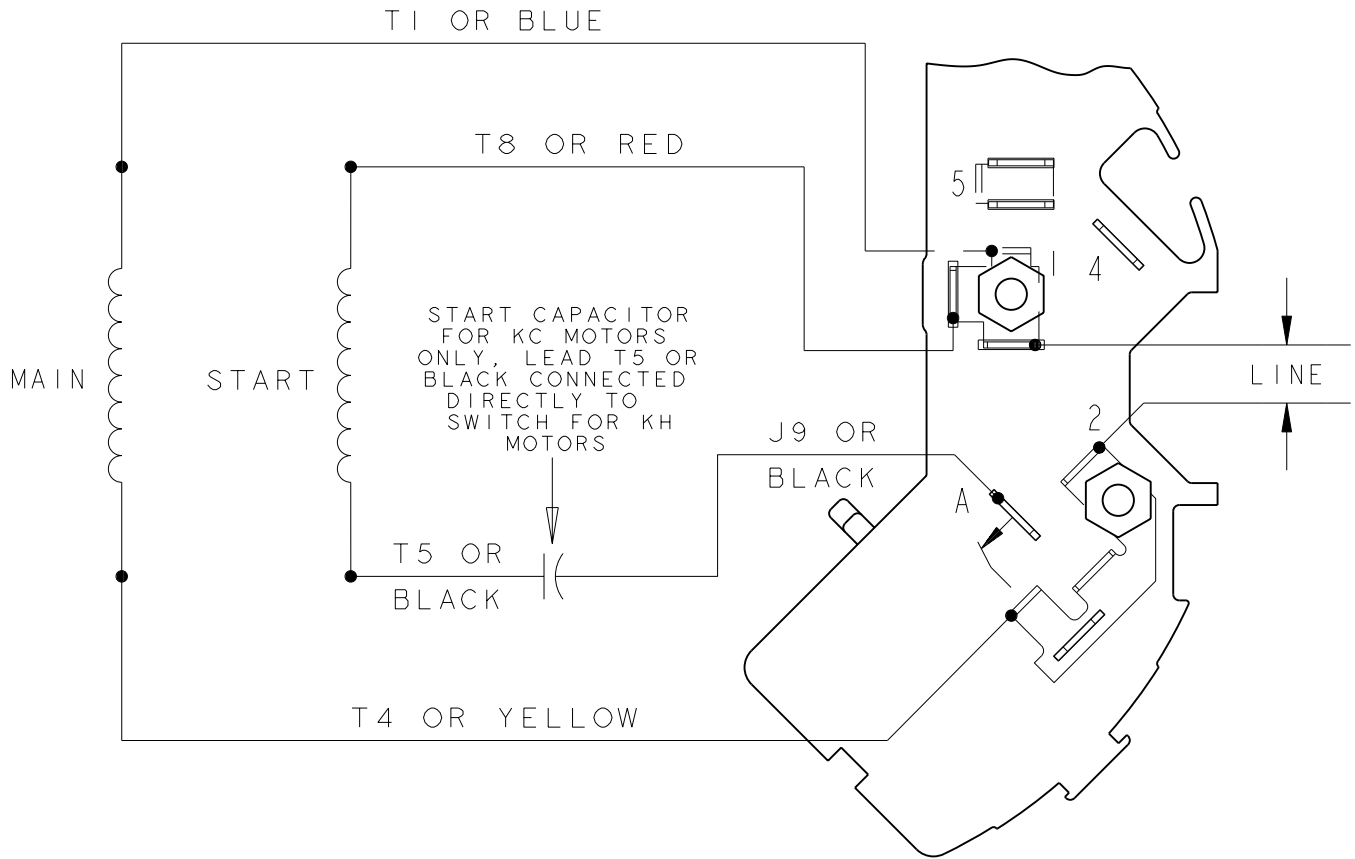
THIRD ANGLE PROJECTION



REVISIONS

REV.	DESCRIPTION	DATE	APPROVED
1	UPDATED FORMAT	11/10/05	MAM

EITHER ROTATION - SINGLE VOLTAGE  
TYPE KC, OR KH



NOTE #1 - TO REVERSE ROTATION INTERCHANGE BLACK (T5-KH OR J9-KC) AND RED (T8) LEADS.

NOTE #2 - WHEN MORE THAN ONE CAPACITOR IS USED CONNECT IN PARALLEL.

REF. DIAG. - 121A850		SWITCH (C) - 115D958AB	
CONNECTION LABEL - 52X332047			
SIGNATURES	DATE	<b>REGAL-BELOIT CORPORATION</b>  <b>CONNECTION DIAGRAM</b>  <b>FMF: 30 FRAME SWITCH REDESIGN</b>	
MODEL M.D. PAPE	06/29/87		
DETAIL	.		
CHECKED	.		
ENGRG	.		
MFG	.		
FOR ADDITIONAL INFO REFER TO:	QUALITY	SIZE DRAWING	REV
APPLIED PRACTICES	ISSUED M.D.P.	A	1
DIMENSIONS ARE IN INCHES ✓	06/29/87	<b>52A105377AA</b>	
MATERIAL	SOLID MODEL: 52A105377AA	SCALE: 1.000	SHEET 1 of 1