

PRODUCT INFORMATION PACKET

Model No: 5KC49NN2133X
Catalog No: C351
1,3450,TEFC,56C,1/60/115/230
Totally Enclosed Fan Cooled (TEFC)



Regal and Marathon are trademarks of Regal Beloit Corporation or one of its affiliated companies.
©2018 Regal Beloit Corporation, All Rights Reserved. MC017097E





Nameplate Specifications

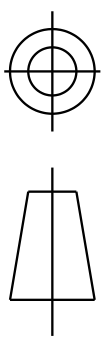
Output HP	1 Hp	Output KW	0.75 kW
Frequency	60 Hz	Voltage	115/230 V
Current	13.0,6.5 A	Speed	3450 rpm
Service Factor	1.15	Phase	1
Efficiency	68 %	Duty	Continuous
Insulation Class	B	KVA Code	L
Frame	56C	Enclosure	Totally Enclosed Fan Cooled
Overload Protector	AUTO	Ambient Temperature	40 °C
Drive End Bearing Size	6203	Opp Drive End Bearing Size	6203
UL	Recognized	CSA	Yes
CE	N		

Technical Specifications

Electrical Type	Capacitor start(CSIR)	Starting Method	SM
Poles	2	Rotation	Counterclockwise/Clockwise
Mounting	Round	Motor Orientation	Any
Drive End Bearing	BALL	Opp Drive End Bearing	BALL
Frame Material	Rolled Steel	Overall Length	12.44 in
Frame Length	7.15 in	Shaft Diameter	0.630 in
Shaft Extension	1.88 in		
Outline Drawing	52A107671P5	Connection Diagram	52A105383BA

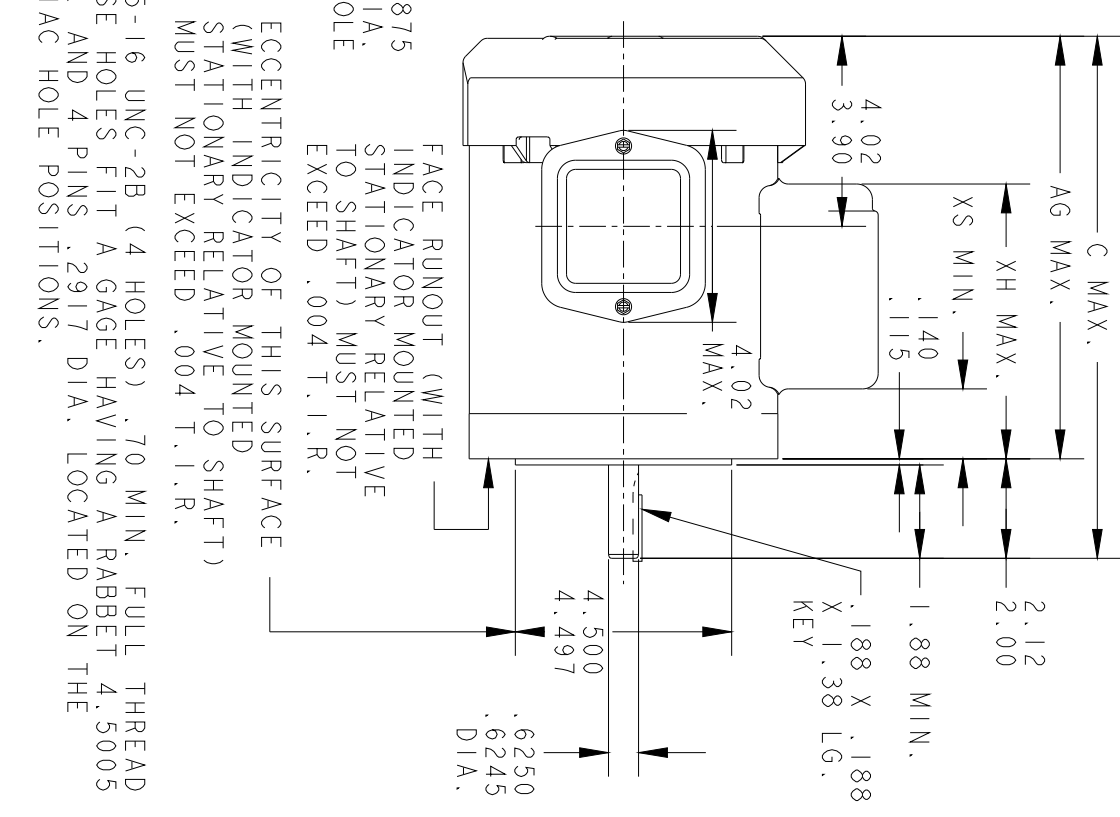
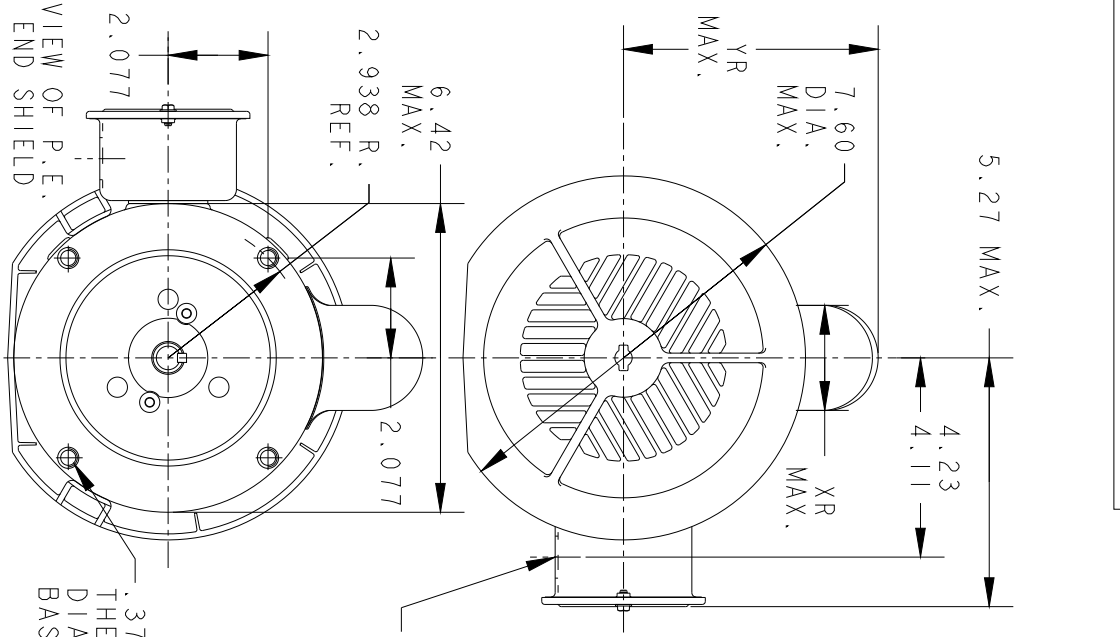
This is an uncontrolled document once printed or downloaded and is subject to change without notice. Date Created: 07/02/2018

THIRD ANGLE PROJECTION



REVISIONS

REV.	DESCRIPTION	DATE	APPROVED
12	CHG TO RBC FORMAT PER IS05-1777	03/01/06	SUDHA



7	6	5	4	3	2	1	P
KC	KC	KC	KC	KC	KC	KC	TYPE
49	49	49	49	46	46	42	GE SIZE
56C	56C	56C	56C	56C	56C	56C	NEMA FR.
12.93	11.40	12.44	12.97	11.84	11.84	11.01	C
10.81	9.28	10.32	10.85	9.72	9.72	8.89	AG
7.56	6.03	7.54	7.61	6.94	6.95	6.12	XH
5.45	4.76	4.72	5.45	5.45	5.34	5.34	YR
2.22	1.60	1.60	2.40	2.40	2.22	2.22	XR
1.89	1.57	1.79	1.86	1.19	2.41	1.58	XS
7.68	6.15	7.15	7.68	6.55	6.55	5.72	MIN. SHELL

SIGNATURES		DATE
MODEL	M.D. PAPE	04/23/91
DETAIL		
CHECKED		
ENGRG		
MFG		
QUALITY		
ISSUED	M.D. PAPE	05/10/94

REGAL-BELOTT CORPORATION

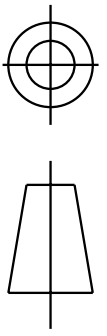
REGAL BELLOTT

TITLE

FMF - 40 FRAME REDESIGN GENERAL PURPOSE MOTOR - TEFC - BALL BEARING - R2 END MOUNTED

FOR ADDITIONAL INFO REFER TO:
APPLIED PRACTICES
DIMENSIONS ARE IN INCHES
MATERIAL

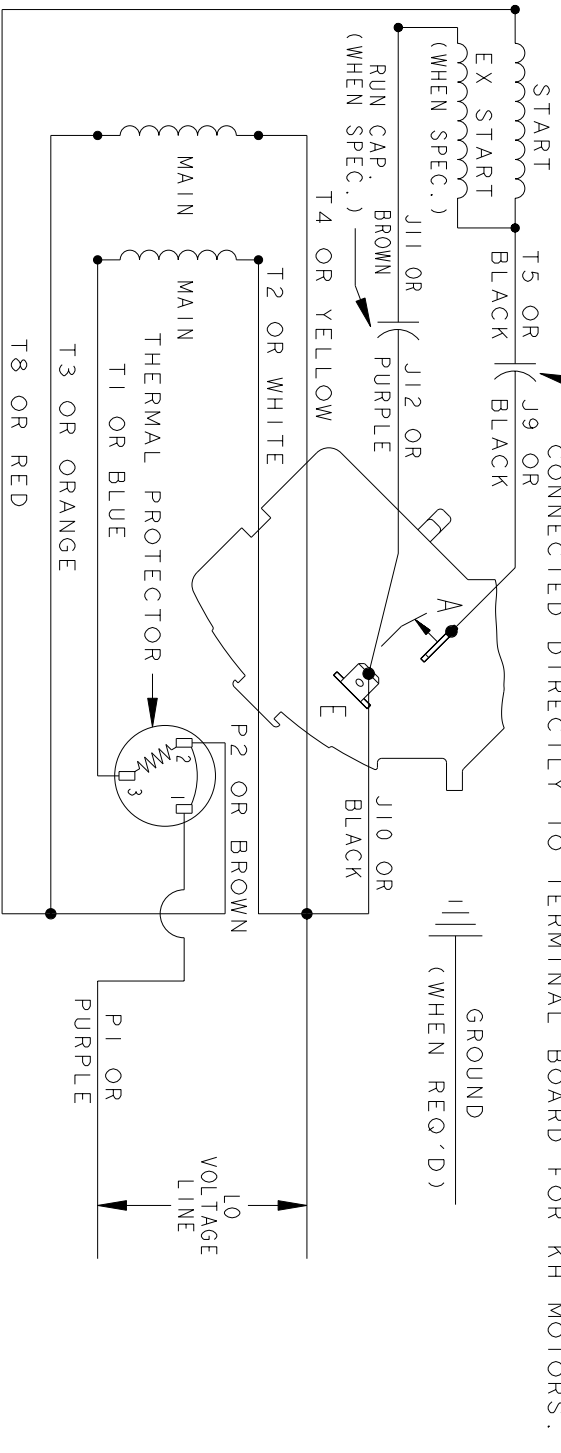
SIZE	DRAWING	SCALE	REF. No.	SHEET
A	A	0.250		1 of 1



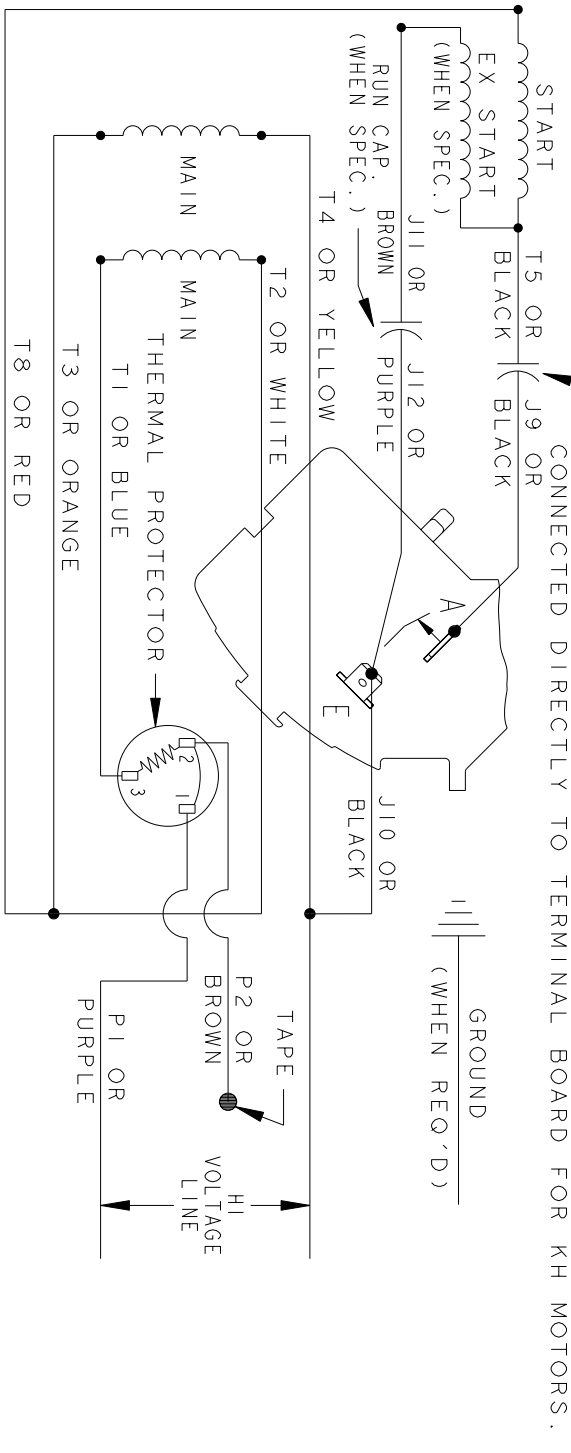
REV.	DESCRIPTION	DATE	APPROVED
7	UPDATED FORMAT	01/05/06	MAM

CCW/CW ROTATION - DUAL VOLTAGE
TYPE KC, KH OR KCR - WITH THERMAL PROTECTOR

CAPACITOR AS SHOWN FOR KC MOTORS ONLY. LEAD T5 BLACK CONNECTED DIRECTLY TO TERMINAL BOARD FOR KH MOTORS.



CAPACITOR AS SHOWN FOR KC MOTORS ONLY. LEAD T5 BLACK CONNECTED DIRECTLY TO TERMINAL BOARD FOR KH MOTORS.



NOTE#1 - TO REVERSE ROTATION, INTERCHANGE T8 RED AND J10 BLACK LEADS.
NOTE#2 - WHEN MORE THAN ONE CAPACITOR IS USED, CONNECT IN PARALLEL.
NOTE#3 - 115D958ABP5 - HIGH CURRENT CONTACTS.

SWITCH (C) - 115D958ABP5, SWITCH (H) - 115D958AA (USE 115D958DA FOR EP)

REF. DIAG. - 113A327, 119A9352 & 52A102102 CONNECTION LABEL - 52X332912

SIGNATURES		DATE
MODEL	M.D.P.	06/29/87
DETAIL		
CHECKED		
ENGRG		
MFG		
QUALITY		
ISSUED	M.D.P.	12/11/97
APPLIED PRACTICES		
DIMENSIONS ARE IN INCHES		
MATERIAL	SOLID MODEL: 52A105383BA	



REGAL-BELOTT CORPORATION

CONNECTION DIAGRAM

FME: 30 FRAME SWITCH REDESIGN

52A105383BA

SCALE: 1.000	REF. No.:	SHEET 1 of 1
--------------	-----------	--------------