

PRODUCT INFORMATION PACKET

Model No: 445TSTGN16505
Catalog No: E584
150,3600,EPFC,445TS,3/60/460
Explosion Proof



Regal and Marathon are trademarks of Regal Beloit Corporation or one of its affiliated companies.
©2018 Regal Beloit Corporation, All Rights Reserved. MC017097E





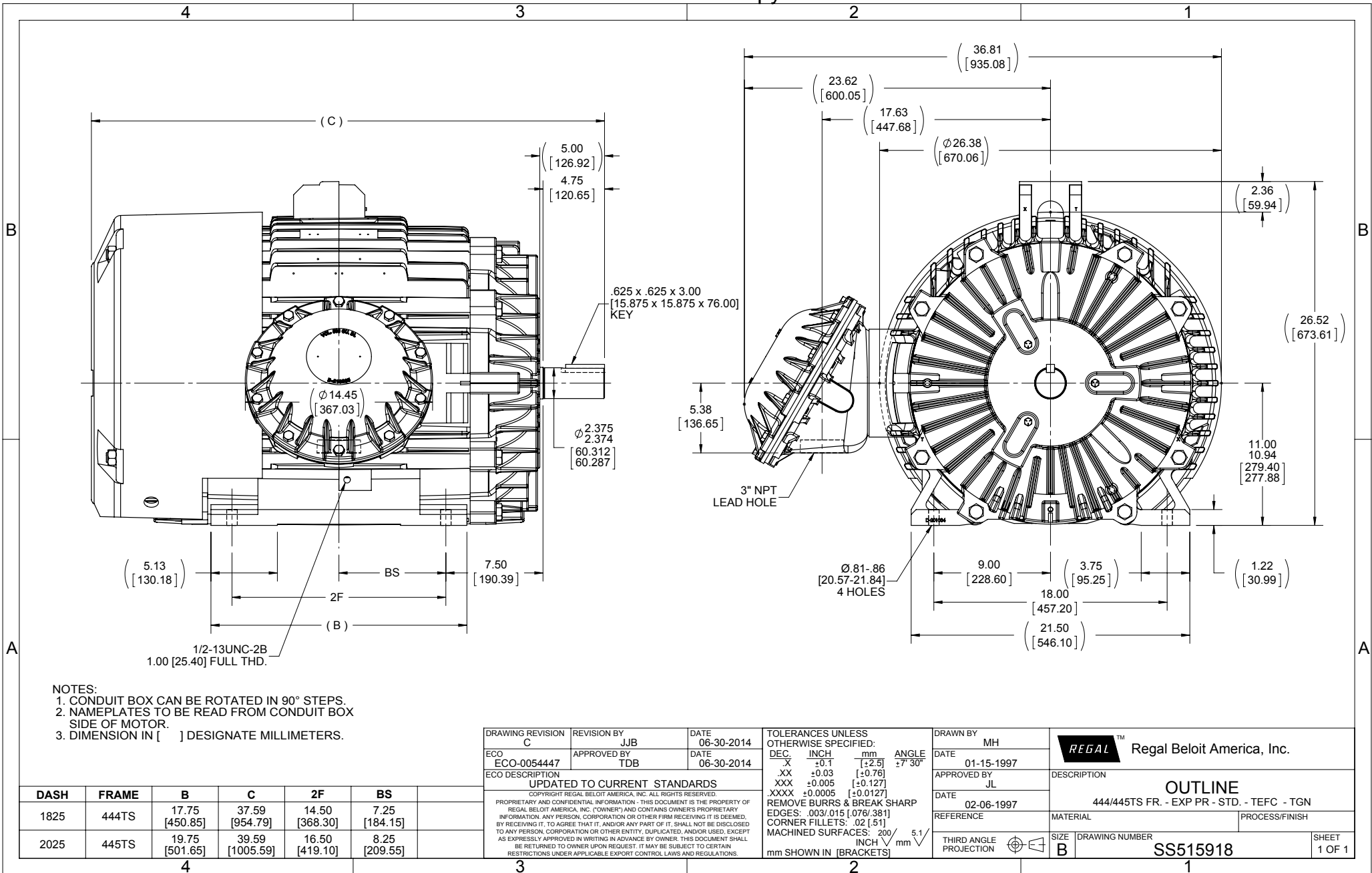
Nameplate Specifications

Output HP	150 Hp	Output KW	112.0 kW
Frequency	60 Hz	Voltage	460 V
Current	168.0 A	Speed	3575 rpm
Service Factor	1.15	Phase	3
Efficiency	95.8 %	Duty	Continuous
Insulation Class	F	Design Code	B
KVA Code	G	Frame	445TS
Enclosure	Explosion Proof Fan cooled	Overload Protector	No
Ambient Temperature	40 °C	Drive End Bearing Size	6318
Opp Drive End Bearing Size	6316	UL	No
CSA	N	CE	N
IP Code	54		

Technical Specifications

Electrical Type	Squirrel Cage Inverter Rated	Starting Method	Line Or Inverter
Poles	2	Rotation	Reversible
Mounting	Rigid base	Motor Orientation	Horizontal
Drive End Bearing	Ball	Opp Drive End Bearing	Ball
Frame Material	Cast Iron	Shaft Type	TS
Overall Length	39.59 in	Frame Length	20.25 in
Shaft Diameter	2.375 in	Shaft Extension	5 in
Assembly/Box Mounting	F1 Only		
Outline Drawing	B-SS515918-2025	Connection Diagram	A-EE7300S

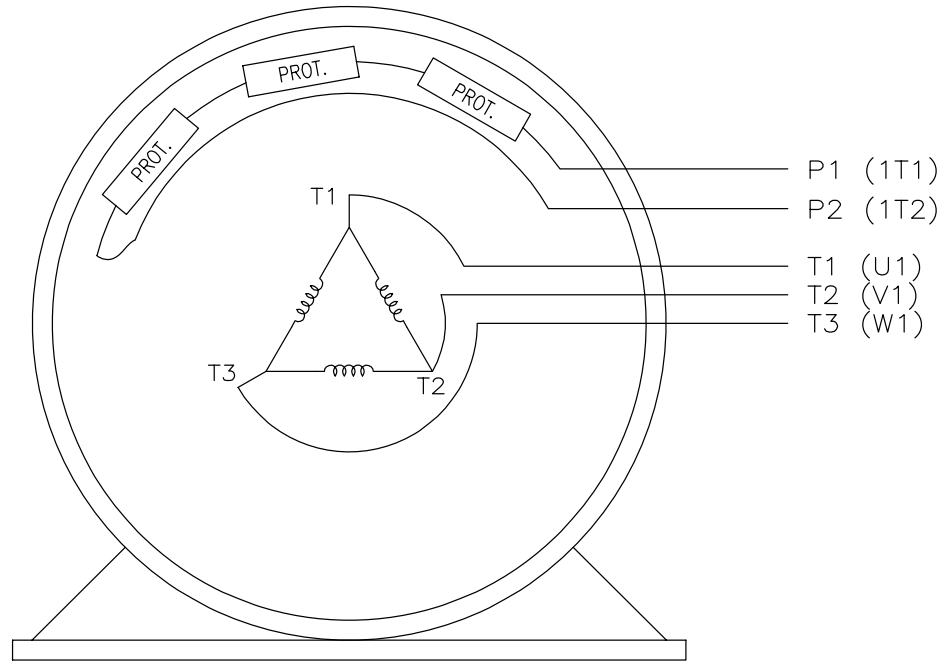
This is an uncontrolled document once printed or downloaded and is subject to change without notice. Date Created: 06/29/2018



EE7300S

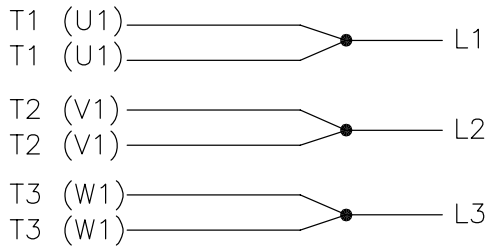
THREE PHASE – SINGLE VOLTAGE MOTOR

TO REVERSE ROTATION:
INTERCHANGE ANY TWO LINE
LEAD CONNECTIONS




VIEW OF TERMINAL END

IF MOTOR HAS MULTIPLE
T'S PER LEAD CONNECT
TOGETHER LIKE T'S



A-9806 DECAL

NO.	REVISION	BY & DATE	CHK	TOLERANCES UNLESS SPECIFIED		FINISH	DRAWN	PAGE	OF	REV.	
				DEC.	INCHES						
F	UPDATED TITLE BLOCK	HV 02-27-2014	EWB	.X	± -		KL	12-15-1999			
3	REMOVED "N.C." FROM PROT.'S MU61770	JJB 08-02-2010		.XX	± -	 REGAL-BELOIT CORPORATION TITLE CONNECTION DIAGRAM – EXTERNAL SINGLE VOLTAGE 3Ø MOTOR	CHK	DJK	12-15-1999		
2	ADDED IEC MARKINGS MU61770	KL 09-16-2004	EAB	.XXX	± -		APPD	DJK	12-15-1999	SCALE	1=1
1	NEW DRAWING	KL 12-16-1999		.XXXX	± -		MAT'L			REF	
				ANG	± -				FMF		
									PREV		
THIS DRAWING IN DESIGN AND DETAIL IS OUR PROPERTY AND MUST NOT BE USED EXCEPT IN CONNECTION WITH OUR WORK ALL RIGHTS OF DESIGN AND INVENTION ARE RESERVED THIS IS AN ELECTRONICALLY GENERATED DOCUMENT – DO NOT SCALE THIS PRINT						RFP	CAD FILE	ee7300s	SIZE	A	
						DIST	WA-LB-SB		DRAWING NO.	EE7300S	

CERTIFICATION DATA SHEET

Model#: 445TSTGN16505 AA **WINDING#:** T445276 NONE 1
CONN. DIAGRAM: A-EE7300S **ASSEMBLY:** F1 ONLY
OUTLINE: B-SS515918-2025

TYPICAL MOTOR PERFORMANCE DATA

HP	KW	SYNC. RPM	F.L. RPM	FRAME	ENCLOSURE	KVA CODE	DESIGN
150	112	3600	3575	445TS	EPFC	G	B

PH	Hz	VOLTS	FL AMPS	START TYPE	DUTY	INSL	S.F	AMB°C	ELEVATION
3	60	460	168	LINE OR INVERTER	CONTINUOUS	F1	1.15	40	3300

FULL LOAD EFF: 95.8	3/4 LOAD EFF: 95.8	1/2 LOAD EFF: 95	GTD. EFF	ELEC. TYPE	NO LOAD AMPS
FULL LOAD PF: 88	3/4 LOAD PF: 85	1/2 LOAD PF: 78	95.4	SQ CAGE INV RATED	51

F.L. TORQUE	LOCKED ROTOR AMPS	L.R. TORQUE	B.D. TORQUE	F.L. RISE°C
221 LB-FT	1085	275 LB-FT 124	640 LB-FT 288	60

SOUND PRESSURE @ 3 FT.	SOUND POWER	ROTOR WK^2	MAX. WK^2	SAFE STALL TIME	STARTS /HOUR	APPROX. MOTOR WGT
78 dBA	88 dBA	31 LB-FT^2	120 LB-FT^2	15 SEC.	2	2200 LBS.

***** SUPPLEMENTAL INFORMATION *****

DE BRACKET TYPE	ODE BRACKET TYPE	MOUNT TYPE	ORIENTATION	SEVERE DUTY	HAZARDOUS LOCATION	DRIP COVER	SCREENS	PAINT
STANDARD	STANDARD	RIGID	HORIZONTAL	PREMIUM SEVERE DUTY	EXP PROOF CL I GR C&D CL II GR F&G T3B	FALSE	NONE	BLUE (EPOXY)

BEARINGS		GREASE	SHAFT TYPE	SPECIAL DE	SPECIAL ODE	SHAFT MATERIAL	FRAME MATERIAL
DE	OPE	POLYREX EM	TS	NONE	NONE	1045 HOT ROLLED (C-204)	CAST IRON
BALL	BALL						
6318	6316						

THERMO-PROTECTORS				THERMISTORS	CONTROL	SPACE /n HEATERS
THERMOSTATS	PROTECTORS	WDG RTDs	BRG RTDs	NONE	FALSE	NONE VOLTS
TSTATS (N/C)	NOT	NONE	NONE			

If Inverter equals NONE, contact factory for further information

INVERTER TORQUE: CONSTANT 2:1
INV. HP SPEED RANGE: NONE
ENCODER: NONE
NONE NONE
NONE NONE PPR
BRAKE: NONE NONE
NONE P/N NONE
NONE NONE
- FT-LB NONE V NONE Hz

*
N
O
T
E
S
*

DATE: 06/21/2017 05:35:16 AM
 FORM 3531 REV.3 02/07/99
 ** Subject to change without notice.

