

PRODUCT INFORMATION PACKET

Model No: 286THTNA7026

Catalog No: Y393

30 HP Variable Speed Motor, 3 phase, 1800 RPM, 230/460 V, 286TC Frame, TENV
Speed Ratio Motors



Regal and Marathon are trademarks of Regal Rexnord Corporation or one of its affiliated companies.
©2021 Regal Rexnord Corporation, All Rights Reserved. MC017097E

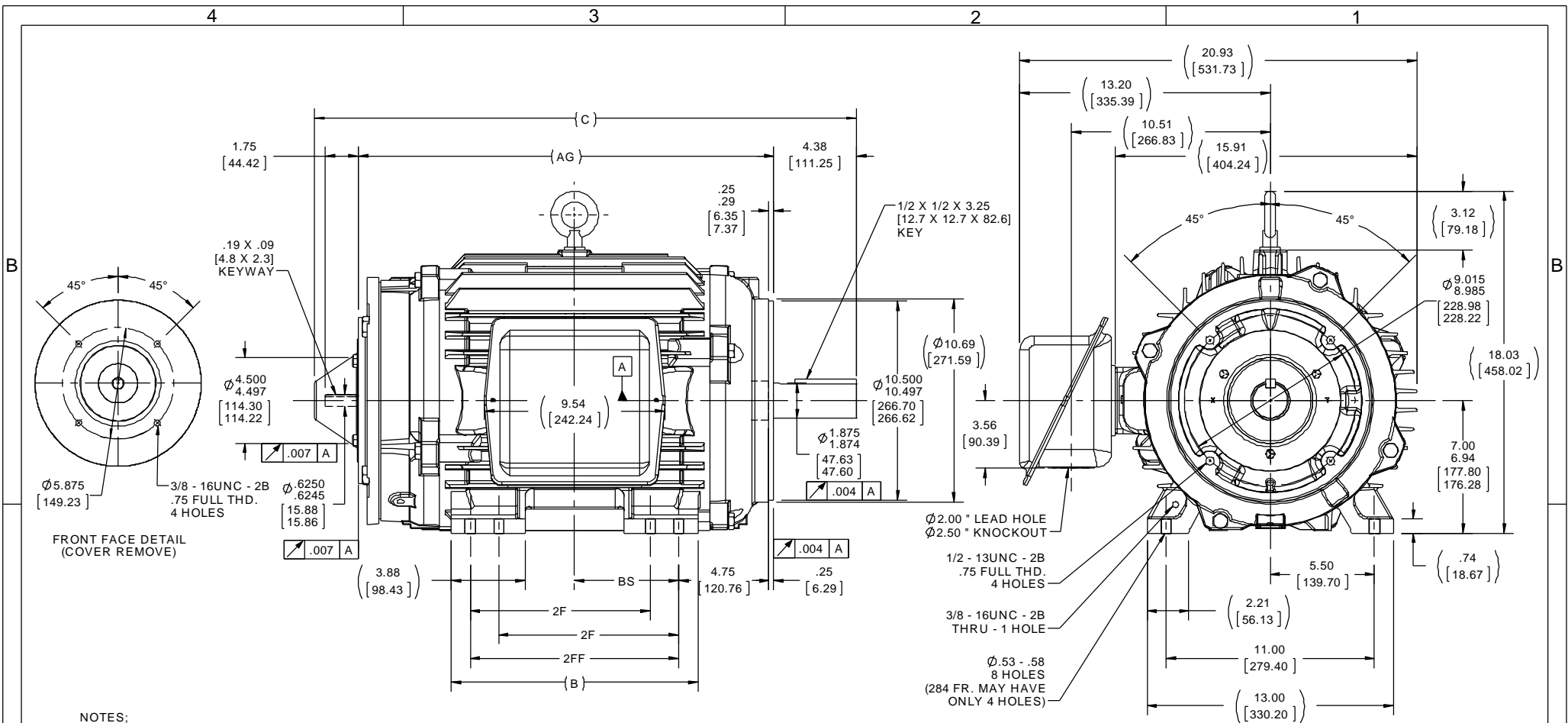
Nameplate Specifications

Output HP	30 Hp	Output KW	22.4 kW
Frequency	60 Hz	Voltage	230/460 V
Current	74.0/37.0 A	Speed	1772 rpm
Service Factor	1	Phase	3
Efficiency	94.5 %	Power Factor	80
Duty	Continuous	Insulation Class	F
Design Code	INV	KVA Code	L
Frame	286TC	Enclosure	Totally Enclosed Non Ventilated
Thermal Protection	No	Ambient Temperature	40 °C
Drive End Bearing Size	6311	Opp Drive End Bearing Size	6311
UL	Recognized	CSA	Y
CE	Y	IP Code	43
Number of Speeds	1		

Technical Specifications

Electrical Type	Squirrel Cage Inverter Duty	Starting Method	Inverter Only
Poles	4	Rotation	Reversible
Resistance Main	.15 Ohms	Mounting	Rigid Base
Motor Orientation	Horizontal	Drive End Bearing	Ball
Opp Drive End Bearing	Ball	Frame Material	Cast Iron
Shaft Type	T	Overall Length	28.58 in
Frame Length	14.25 in	Shaft Diameter	1.875 in
Shaft Extension	4.37 in	Assembly/Box Mounting	F1/F2 Capable
Inverter Load	CONSTANT 1000:1		
Outline Drawing	B-SS311154-1425	Connection Drawing	A-EE7308T

This is an uncontrolled document once printed or downloaded and is subject to change without notice. Date Created:10/06/2021



- NOTES:
1. C'BOX CAN BE ROTATED IN 90° STEPS.
 2. C'BOX CAN BE MOUNTED ON OPPOSITE SIDE BY REMOVING BRACKETS AND TURNING FRAME 180°.
 3. NAMEPLATE TO BE READ FROM C'BOX SIDE OF MOTOR.

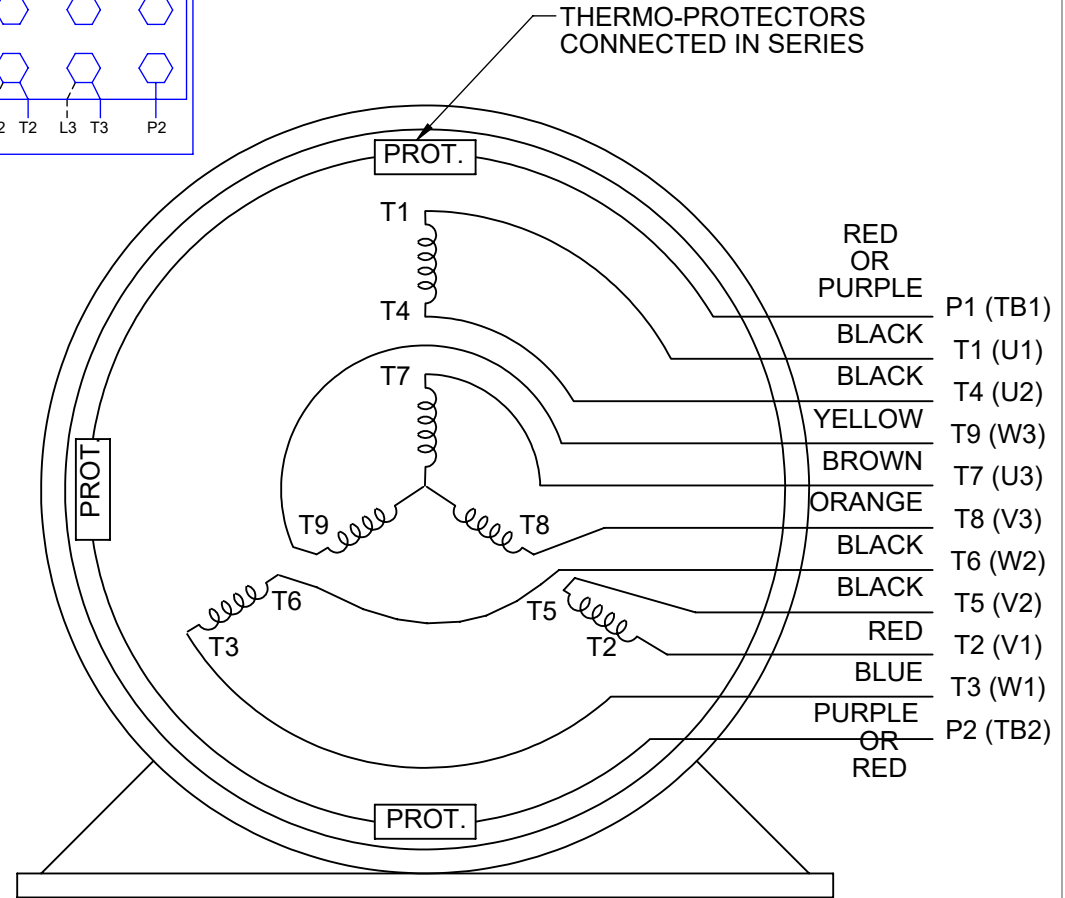
DRAWING REVISION E		REVISION BY TVUE		DATE 12-03-2013		TOLERANCES UNLESS OTHERWISE SPECIFIED:		DRAWN BY MSG		Regal Beloit America, Inc.	
ECO MU115852		APPROVED BY TBROWN		DATE 12-04-2013		DEC. INCH mm ANGLE .X ±0.1 [±2.5] ±7° 30' .XX ±0.03 [±0.76] .XXX ±0.005 [±0.127] .XXXX ±0.0005 [±0.0127] REMOVE BURRS & BREAK SHARP EDGES: .003/.015 [076/.381] CORNER FILLETS: .02 [51] MACHINED SURFACES: 200 INCH/mm 5.1 mm SHOWN IN [BRACKETS]		DATE 04-30-2001			
ECO DESCRIPTION UPDATED FRAME AND TITLE BLOCK								APPROVED BY TBROWN		DESCRIPTION OUTLINE 280TC FR. - TENV - C'FACE - 12.50 LAM.	
COPYRIGHT REGAL BELOIT AMERICA, INC. ALL RIGHTS RESERVED. PROPRIETARY AND CONFIDENTIAL INFORMATION - THIS DOCUMENT IS THE PROPERTY OF REGAL BELOIT AMERICA, INC. (OWNER) AND CONTAINS OWNER'S PROPRIETARY INFORMATION. ANY PERSON, CORPORATION OR OTHER FIRM RECEIVING IT IS DEEMED, BY RECEIVING IT, TO AGREE THAT IT, AND/OR ANY PART OF IT, SHALL NOT BE DISCLOSED TO ANY PERSON, CORPORATION OR OTHER ENTITY, DUPLICATED, AND/OR USED, EXCEPT AS EXPRESSLY APPROVED IN WRITING IN ADVANCE BY OWNER. THIS DOCUMENT SHALL BE RETURNED TO OWNER UPON REQUEST. IT MAY BE SUBJECT TO CERTAIN RESTRICTIONS UNDER APPLICABLE EXPORT CONTROL LAWS AND REGULATIONS.								DATE 05-03-2001		MATERIAL	
DASH	FRAME	B	C	2F	2FF	BS	AG	PROCESS/FINISH MU115852		THIRD ANGLE PROJECTION	
1275	284TC	12.50 [317.5]	27.08 [687.83]	---	9.50 [241.3]	4.75 [120.65]	20.40 [518.16]	DRAWING NUMBER SS311154		SHEET 1 OF 1	
1425	284TC / 286TC	13.00 [330.2]	28.58 [725.93]	9.50 [241.3]	11.00 [279.4]	5.50 [139.7]	21.90 [556.26]	SIZE B			

HIGH VOLTAGE



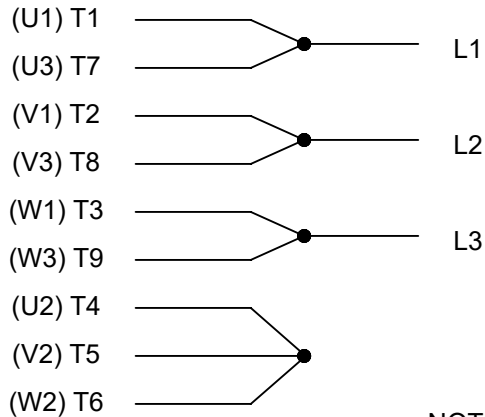
**THREE PHASE
DUAL VOLTAGE MOTOR**

THERMO-PROTECTORS
CONNECTED IN SERIES



NOTE FOR FACTORY USE ONLY:
TO SURGE TEST FOR COMMON CONNECT:
HIGH VOLT: CONNECT P1 TO T1
THEN P2 TO L1
LOW VOLT: CONNECT P1 TO T1 & T7,
THEN P2 TO L1

LOW VOLTAGE



VIEW OF TERMINAL END

NOTE: LEAD'S COLOR CAN BE YELLOW OR WHITE FOR MT2 PLANT

DRAWING REVISION T	REVISION BY ZR	DATE 01-14-2019		DRAWN BY SMC	Regal Beloit America, Inc.
ECO ECO-0159915	APPROVED BY DR	DATE 01-15-2019		DATE 05-13-1992	
ECO DESCRIPTION ADDED TERMINAL CONNECTION DIAGRAM				APPROVED BY TB	DESCRIPTION CONN DIAGRAM-INTERNAL 3 PHASE - DUAL VOLTAGE MOTOR
<small>COPYRIGHT REGAL BELOIT AMERICA, INC. ALL RIGHTS RESERVED. PROPRIETARY AND CONFIDENTIAL INFORMATION - THIS DOCUMENT IS THE PROPERTY OF REGAL BELOIT AMERICA, INC. ("OWNER") AND CONTAINS OWNER'S PROPRIETARY INFORMATION. ANY PERSON, CORPORATION OR OTHER FIRM RECEIVING IT IS DEEMED, BY RECEIVING IT, TO AGREE THAT IT, AND/OR ANY PART OF IT, SHALL NOT BE DISCLOSED TO ANY PERSON, CORPORATION OR OTHER ENTITY, DUPLICATED, AND/OR USED, EXCEPT AS EXPRESSLY APPROVED IN WRITING IN ADVANCE BY OWNER. THIS DOCUMENT SHALL BE RETURNED TO OWNER UPON REQUEST. IT MAY BE SUBJECT TO CERTAIN RESTRICTIONS UNDER APPLICABLE EXPORT CONTROL LAWS AND REGULATIONS.</small>				DATE 05-13-1992	MATERIAL
			REFERENCE EE7308/EE7300	SIZE A	DRAWING NUMBER EE7308T

CERTIFICATION DATA SHEET

Model#: 286THTNA7026 AA WINDING#: K2864236 NONE 1
 CONN. DIAGRAM: A-EE7308T ASSEMBLY: F1/F2 CAPABLE
 OUTLINE: B-SS311154-1425

TYPICAL MOTOR PERFORMANCE DATA

HP	KW	SYNC. RPM	F.L. RPM	FRAME	ENCLOSURE	KVA CODE	DESIGN			
30	22.4	1800	1772	286TC	TENV	L	INV			
PH	Hz	VOLTS	FL AMPS	START TYPE	DUTY	INSL	S.F	AMB°C	ELEVATION	
3	60	230/460	74/37	INVERTER ONLY	CONTINUOUS	F3	1.0	40	3300	
FULL LOAD EFF: 94.5		3/4 LOAD EFF: 94.5		1/2 LOAD EFF: 94.1		GTD. EFF		ELEC. TYPE		NO LOAD AMPS
FULL LOAD PF: 80		3/4 LOAD PF: 74		1/2 LOAD PF: 62		93.6		SQ CAGE INV DUTY		36 / 18
F.L. TORQUE		LOCKED ROTOR AMPS		L.R. TORQUE		B.D. TORQUE		F.L. RISE°C		
88.9 LB-FT		750 / 375		195 LB-FT 220		380 LB-FT 425		105		
SOUND PRESSURE @ 3 FT.	SOUND POWER	ROTOR WK^2	MAX. WK^2	SAFE STALL TIME	STARTS /HOUR	APPROX. MOTOR WGT				
62 dBA	72 dBA	5.2 LB-FT^2	- LB-FT^2	- SEC.	-	575 LBS.				

EQUIVALENT WYE CKT.PARAMETERS (OHMS PER PHASE)

R1	R2	X1	X2	XM
0.11328	0.12272	0.5428	0.55696	11.1864
RM	ZREF	XR	TD	TD0
1132.8	9.44	5.5	0.015	0.25

*** SUPPLEMENTAL INFORMATION ***

DE BRACKET TYPE	ODE BRACKET TYPE	MOUNT TYPE	ORIENTATION	SEVERE DUTY	HAZARDOUS LOCATION	DRIP COVER	SCREENS	PAINT
C-FACE	BRAKE OR ENCODER	RIGID	HORIZONTAL	FALSE	NONE	FALSE	NONE	BLACK (ENAMEL)

BEARINGS		GREASE	SHAFT TYPE	SPECIAL DE	SPECIAL ODE	SHAFT MATERIAL	FRAME MATERIAL
DE	OPE	POLYREX EM	T	NONE	NONE	1045 HOT ROLLED (C-204)	CAST IRON
BALL	BALL						
6311	6311						

THERMO-PROTECTORS				THERMISTORS	CONTROL	SPACE /n HEATERS
THERMOSTATS	PROTECTORS	WDG RTDs	BRG RTDs	NONE	FALSE	NONE VOLTS
TSTATS (N/C)	NOT	NONE	NONE			

If Inverter equals NONE, contact factory for further information

INVERTER TORQUE: CONSTANT 1000:1
INV. HP SPEED RANGE: 2.0 X BASE SPEED
ENCODER: PROVISIONS ONLY
NONE NONE
NONE NONE PPR
BRAKE: PROVISIONS ONLY NONE
NONE P/N NONE

*
N
O
T
E
S
*

NONE	NONE		
NONE FT-LB	NONE V	NONE Hz	

DATE: 06/21/2017 10:05:31 AM
FORM 3531 REV.3 02/07/99
** Subject to change without notice.

Data Sheet

Date: 6/29/2017

286HTNA7026

Customer: _____



Attention: _____

Submittal

Submitted by: FAREEDA DUDEKULA

Data @ 460 V

Motor Load Data

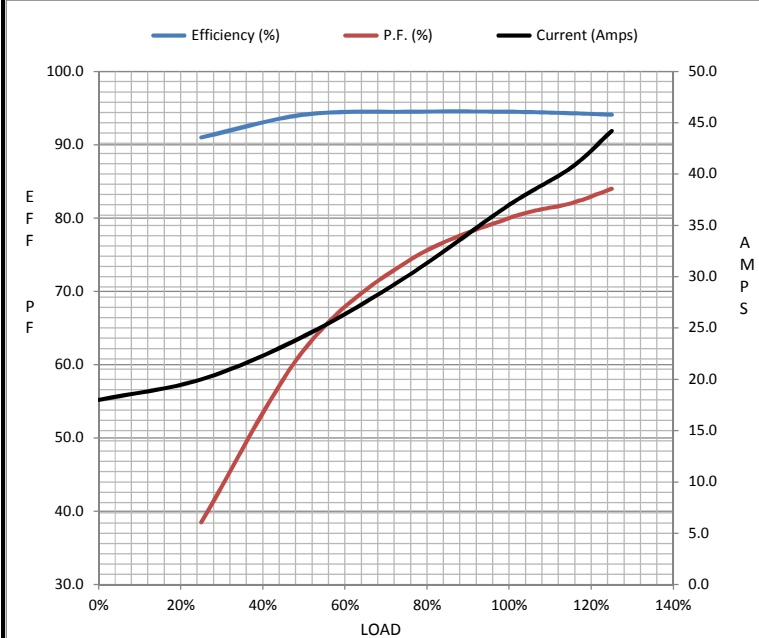
Load	0%	25%	50%	75%	100%	115%	125%	LR
Current (Amps)	18.0	20.0	24.2	30.0	37.0	40.6	44.2	375
Torque (ft-lb)	0.00	22.0	44.0	66.5	88.9	100	112	195
RPM	1800	1795	1788	1780	1772	1,769	1765	0
Efficiency (%)		91.0	94.1	94.5	94.5	94.3	94.1	
P.F. (%)	3.5	38.5	62.0	74.0	80.0	82.0	84.0	26.0

Motor Speed Data

	LR	Pull-Up	BD	Rated	Idle
Speed (RPM)	0	900	1525	1772	1800
Current (Amps)	375	325	240	37.0	18.0
Torque (ft-lb)	195	200	380	88.9	0.00

Information Block

HP	30.0			
Sync. RPM	1800			
Frame	286			
Enclosure	TENV			
Construction	TTN			
Voltage	230/460 V			
Frequency	60 Hz			
Design	A			
LR Code letter	L			
Service Factor	1.0			
Temp Rise @ FL	105 °C			
Duty	CONT			
Ambient	40 °C			
Elevation	1,000 feet			
Rotor/Shaft wk ²	5.2 Lb-Ft ²			
Ref Wdg	K2864236 NONE			
Sound Pressure @ 1M	62 dBA			
VFD Rating	CONSTANT 1000:1			
Outline Dwg	B-SS311154-1425			
Conn. Diag	A-EE7308T			
Additional Specifications:				
0				
0				
EQUIV CKT (OHMS / PHASE)				
R1	R2	X1	X2	Xm
0.1130	0.1230	0.5430	0.5570	11.1860



Speed - Torque Curve

