

PRODUCT INFORMATION PACKET

Model No: 284TTFNA7240
Catalog No: Y385
20,1800/900,TEFC,284T,3/60/460
Other Purpose



Regal and Marathon are trademarks of Regal Beloit Corporation or one of its affiliated companies.
©2018 Regal Beloit Corporation, All Rights Reserved. MC017097E





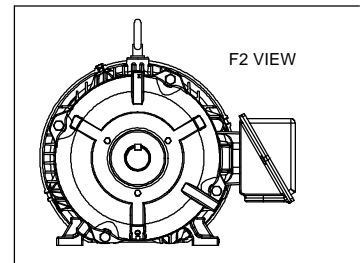
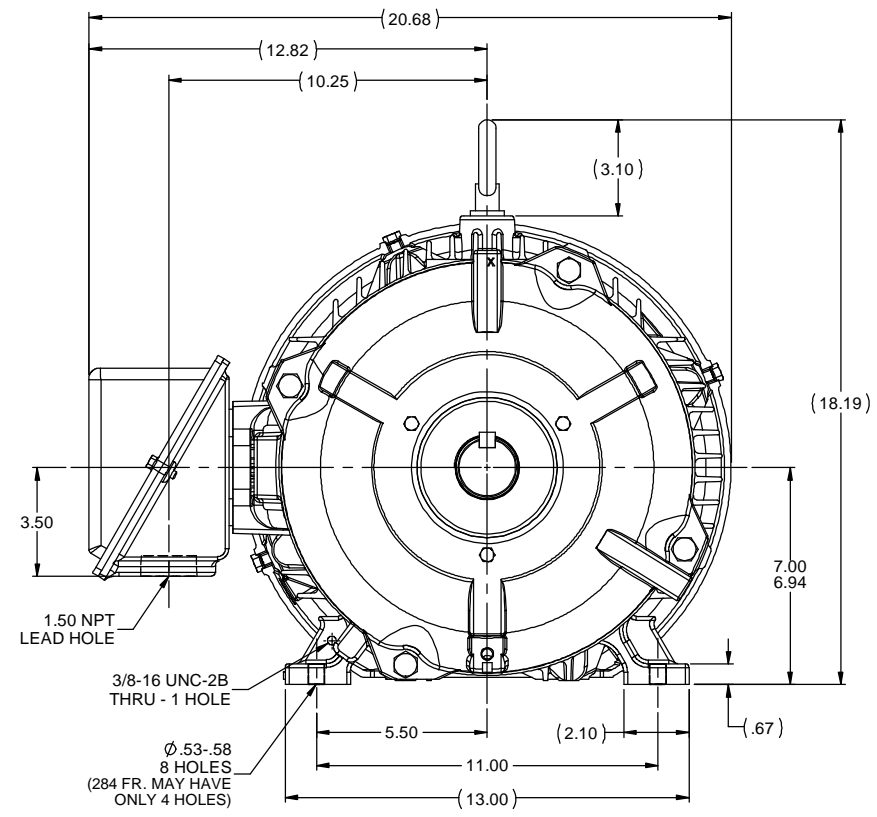
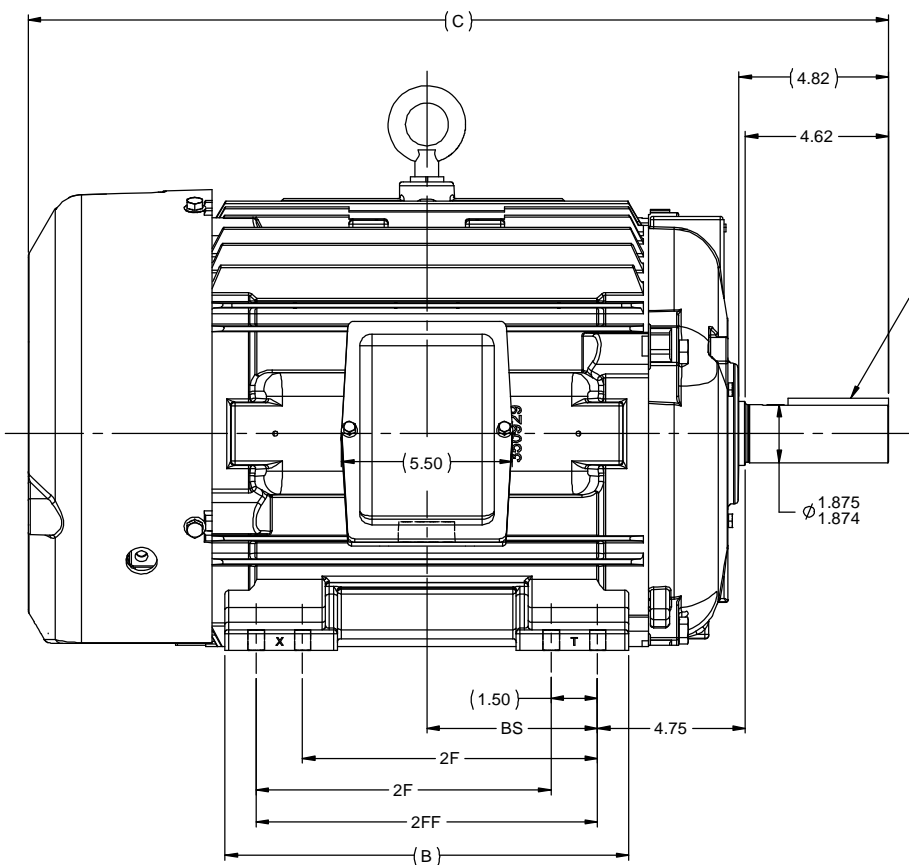
Nameplate Specifications

Output HP	20,5 Hp	Output KW	14.9 kW
Frequency	60 Hz	Voltage	460 V
Current	24,8.5 A	Speed	1775,880 rpm
Service Factor	1.15	Phase	3
Efficiency	91.7 %	Duty	Continous
Insulation Class	F	Design Code	1VT
KVA Code	J	Frame	284T
Enclosure	Totally Enclosed Fan Cooled	Overload Protector	No
Ambient Temperature	40 °C	Drive End Bearing Size	6311
Opp Drive End Bearing Size	6210	UL	Recognized
CSA	Y	CE	Y
IP Code	55		

Technical Specifications

Electrical Type	Squirrel Cage Induction Run	Starting Method	Across The Line
Poles	4/8	Rotation	Reversible
Mounting	Rigid base	Motor Orientation	Horizontal
Drive End Bearing	Ball	Opp Drive End Bearing	Ball
Frame Material	Cast Iron	Shaft Type	T
Overall Length	26.21 in	Frame Length	12.75 in
Shaft Diameter	1.875 in	Shaft Extension	4.82 in
Assembly/Box Mounting	F1/F2 Capable		
Outline Drawing	B-SS311057-1275	Connection Diagram	A-EE7322

This is an uncontrolled document once printed or downloaded and is subject to change without notice. Date Created: 06/29/2018



- NOTES:
1. CONDUIT BOX CAN BE ROTATED UP TO 270 ° FROM ITS ORIGINAL POSITION.
 2. CONDUIT BOX CAN BE MOUNTED ON OPPOSITE SIDE BY REMOVING BRACKETS AND TURNING FRAME 180 °.
 3. NAMEPLATE TO BE READ FROM CONDUIT BOX SIDE OF MOTOR.

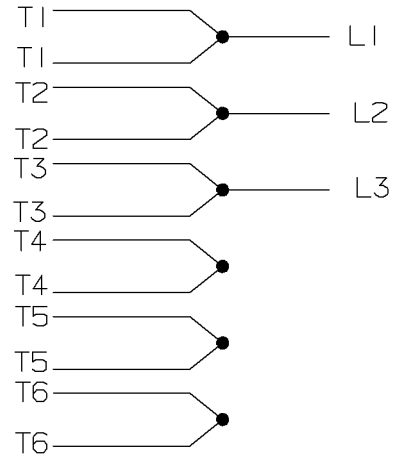
1275	284T	26.21	12.50	9.50	---	4.75
1425	284/286T	27.71	13.00	9.50	11.00	5.50
DASH	FRAME	C	B	2F	2FF	BS

		TOLERANCES UNLESS SPECIFIED		marathon electric		DRAWN CAV 10-18-2000	
		DEC	INCHES			CHK ML 10-18-2000	APPR BW 10-18-2000
4	UPDATED TO NEW FRAME DESIGN MU106205	MSG 08-22-2012	MSG x	±.1			
3	REDRAWN IN AUTOCAD - NO CHANGE	TAT 06-29-2004	ML xx	±.03	TITLE OUTLINE - TEFC - TGN		SCALE 1:4
2	ADDED NOTE 3 MU35810	DAH 02-06-2001	ML xxx	±.005	280T FR. - BB - STD - 12.50 LAM.		REF
1	NEW DRAWING MU34031	MSG 08-23-2012	ML xxxxx	±.0005	MATL		FMF MU34031
NO	REVISION	BY & DATE	CHK LANG	±1/2°	FINISH		PAGE OF
	THIRD ANGLE PROJECTION				PREV	SIZE B	DRAWING NO SS311057
					NETWORK FILE NAME SS311057		REV 4

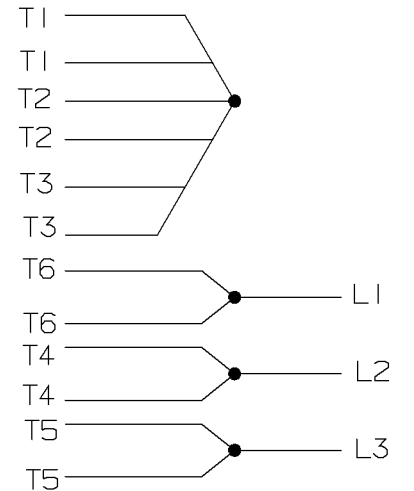
A- EE7322

FOR DUAL LEADS

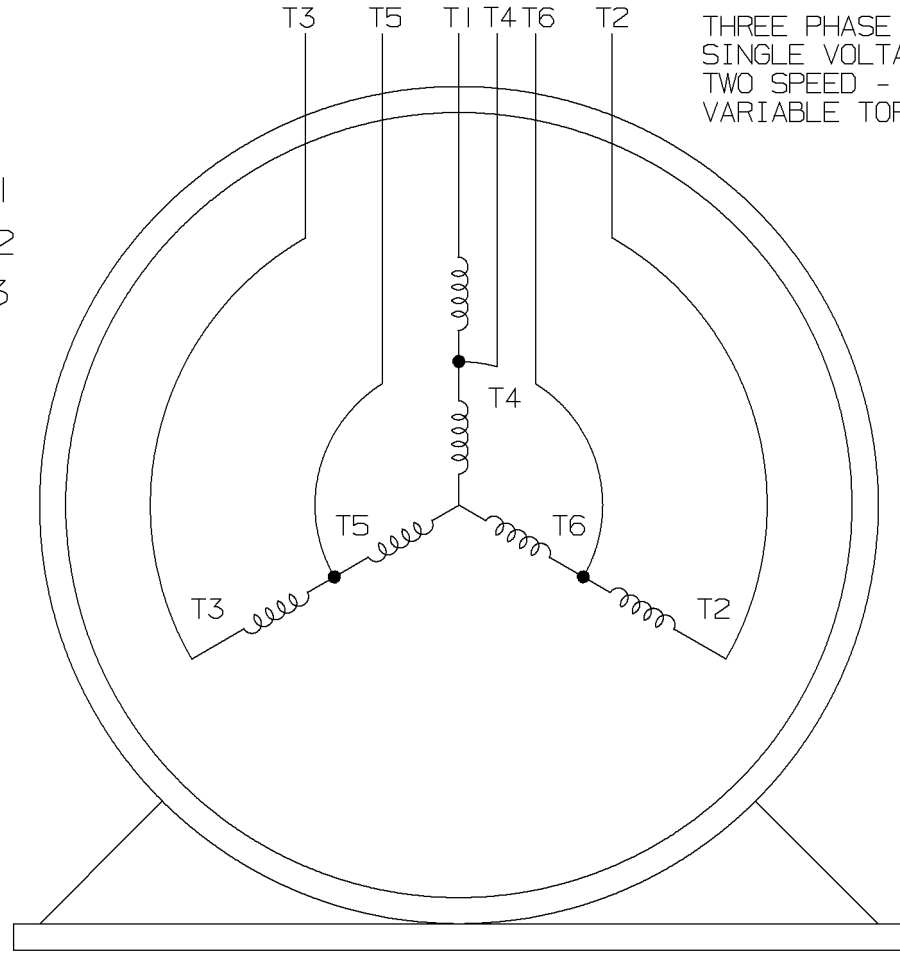
LOW SPEED



HIGH SPEED

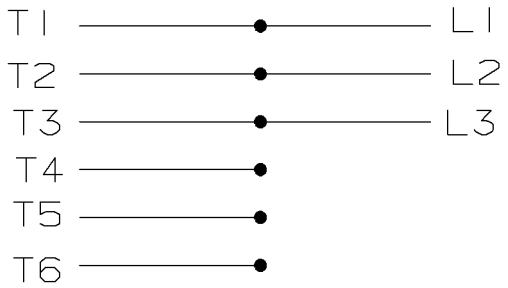


THREE PHASE MOTOR
SINGLE VOLTAGE
TWO SPEED - SGL. WDG.
VARIABLE TORQUE

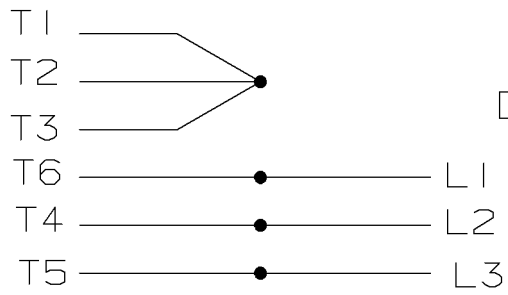


VIEW OF TERMINAL END

LOW SPEED



HIGH SPEED



T612C
T48B

				✓ MAX. SURFACE ROUGHNESS UNLESS NOTED OTHERWISE	UNLESS OTHERWISE SPECIFIED DIMENSIONS ARE IN INCHES TOL. ON XX± XXX±.005 XXXX±.0005 ANGLES±		
				MATL SPEC			DRAWN BY PGK 12-26-1996
				FINISH	MARATHON ELECTRIC		CHKD BY ML 01-07-1997
7	01-08-1997	REDRAWN ON CADD	CN 24000-27	PGK	REFERENCE DRW.	WAUSAU, WISCONSIN 54401	APPD BY TB 01-07-1997
REV	DATE	CHANGE		NAME	PART NAME CONNECTION DIAGRAM 3Ø - SINGLE VOLTAGE - 2 SPEED	DRWG NO A- EE7322	

SHOP BOOK PURCHASED DISTRIBUTION - WA - LB - WP - LM - BR CADD FILE NO. EE7322

CERTIFICATION DATA SHEET

Model#: 284TTFNA7240 AA **WINDING#:** K284(4-8)48 NONE 7
CONN. DIAGRAM: A-EE7322 **ASSEMBLY:** F1/F2 CAPABLE
OUTLINE: B-SS311057-1275

TYPICAL MOTOR PERFORMANCE DATA

HP	KW	SYNC. RPM	F.L. RPM	FRAME	ENCLOSURE	KVA CODE	DESIGN
20&5	14.9&3.7	900	1775&880	284T	TEFC	J	1VT

PH	Hz	VOLTS	FL AMPS	START TYPE	DUTY	INSL	S.F	AMB°C	ELEVATION
3	60/60	460	24&8.5	ACROSS THE LINE	CONTINUOUS	F3	1.15/1.15	40	3300

FULL LOAD EFF: 91.7&87.5	3/4 LOAD EFF: 87.5	1/2 LOAD EFF: 84	GTD. EFF	ELEC. TYPE	NO LOAD AMPS
FULL LOAD PF: 84.5&63	3/4 LOAD PF: 56	1/2 LOAD PF: 45	85	SQ CAGE IND RUN	5.2

F.L. TORQUE	LOCKED ROTOR AMPS	L.R. TORQUE	B.D. TORQUE	F.L. RISE°C
30 LB-FT	35	39 LB-FT 130	66 LB-FT 220	65

SOUND PRESSURE @ 3 FT.	SOUND POWER	ROTOR WK^2	MAX. WK^2	SAFE STALL TIME	STARTS /HOUR	APPROX. MOTOR WGT
54 dBA	64 dBA	4.2 LB-FT^2	- LB-FT^2	20 SEC.	-	475 LBS.

***** SUPPLEMENTAL INFORMATION *****

DE BRACKET TYPE	ODE BRACKET TYPE	MOUNT TYPE	ORIENTATION	SEVERE DUTY	HAZARDOUS LOCATION	DRIP COVER	SCREENS	PAINT
STANDARD	STANDARD	RIGID	HORIZONTAL	PREMIUM SEVERE DUTY	NONE	FALSE	NONE	BLUE (EPOXY)

BEARINGS		GREASE	SHAFT TYPE	SPECIAL DE	SPECIAL ODE	SHAFT MATERIAL	FRAME MATERIAL
DE	OPE						
BALL	BALL	POLYREX EM	T	NONE	NONE	1045 HOT ROLLED (C-204)	CAST IRON
6311	6210						

THERMO-PROTECTORS				THERMISTORS	CONTROL	SPACE /n HEATERS
THERMOSTATS	PROTECTORS	WDG RTDs	BRG RTDs			
NONE	NOT	NONE	NONE	NONE	FALSE	NONE VOLTS

If Inverter equals NONE, contact factory for further information

INVERTER TORQUE: NONE
INV. HP SPEED RANGE: NONE
ENCODER: NONE
NONE NONE
NONE NONE PPR
BRAKE: NONE NONE
NONE P/N NONE
NONE NONE
- FT-LB NONE V NONE Hz

*
N
O
T
E
S
*

DATE: 06/21/2017 10:16:47 AM
 FORM 3531 REV.3 02/07/99

** Subject to change without notice.