

# PRODUCT INFORMATION PACKET

Model No: 143TTWD6001  
Catalog No: N454A  
1,3450,TEFC,143TC,3/60/230/460  
Washdown Duty



Regal and Marathon are trademarks of Regal Beloit Corporation or one of its affiliated companies.  
©2018 Regal Beloit Corporation, All Rights Reserved. MC017097E



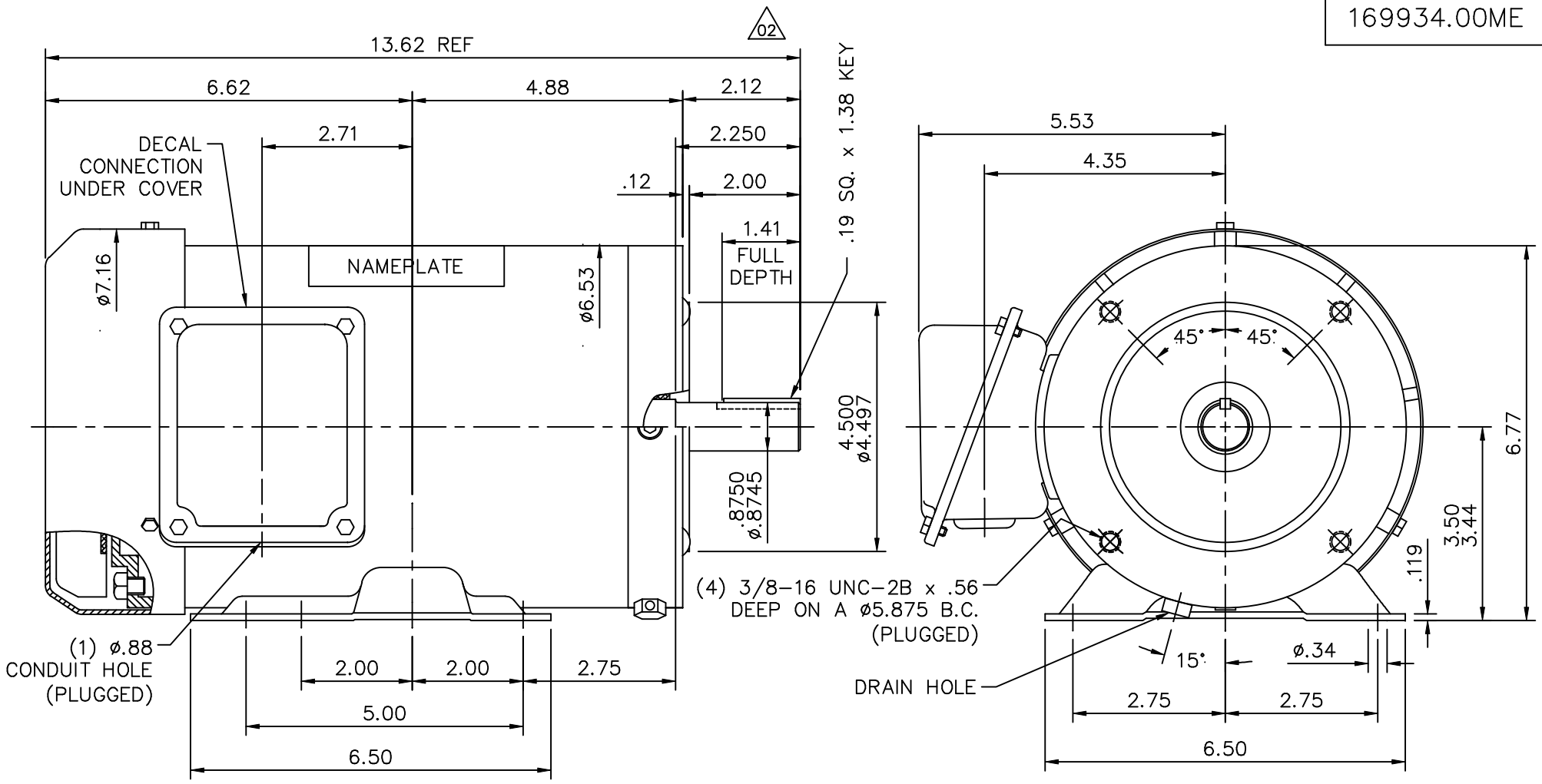
### Nameplate Specifications

Output HP	<b>1 Hp</b>	Output KW	<b>0.75 kW</b>
Frequency	<b>60 Hz</b>	Voltage	<b>230/460 V</b>
Current	<b>2.6/1.3 A</b>	Speed	<b>3450 rpm</b>
Service Factor	<b>1.15</b>	Phase	<b>3</b>
Efficiency	<b>80 %</b>	Duty	<b>Continuous</b>
Insulation Class	<b>F</b>	Design Code	<b>B</b>
KVA Code	<b>J</b>	Frame	<b>143TC</b>
Enclosure	<b>Totally Enclosed Fan Cooled</b>	Overload Protector	<b>No</b>
Ambient Temperature	<b>40 °C</b>	Drive End Bearing Size	<b>6205</b>
Opp Drive End Bearing Size	<b>6205</b>	UL	<b>Recognized</b>
CSA	<b>Y</b>	CE	<b>Y</b>
IP Code	<b>55</b>		

### Technical Specifications


Electrical Type	<b>Squirrel Cage Induction Run</b>	Starting Method	<b>Across The Line</b>
Poles	<b>2</b>	Rotation	<b>Reversible</b>
Mounting	<b>Rigid base</b>	Motor Orientation	<b>Horizontal</b>
Drive End Bearing	<b>Ball</b>	Opp Drive End Bearing	<b>Ball</b>
Frame Material	<b>Rolled Steel</b>	Shaft Type	<b>T</b>
Overall Length	<b>13.62 in</b>	Shaft Diameter	<b>0.875 in</b>
Shaft Extension	<b>2.12 in</b>	Assembly/Box Mounting	<b>F1 Only</b>
Outline Drawing	<b>16993400ME</b>	Connection Diagram	<b>005010.01ME</b>

This is an uncontrolled document once printed or downloaded and is subject to change without notice. Date Created: 07/02/2018



MAXIMUM FACE RUNOUT TO BE .004 T.I.R.  
 MAXIMUM PILOT ECCENTRICITY .004 T.I.R.  
 PERMISSIBLE SHAFT RUNOUT .002 T.I.R.

GASKETS THROUGHOUT


				TOLERANCES UNLESS SPECIFIED			DRAWN MGM 04/09/03	
				DEC.	INCHES		CHK RDW 04/09/03	
				.X	±.1		APPD	
				.XX	±.03	TITLE OUTLINE - 143-145TC FRAME TEFC - RIGID "C"	SCALE 3=8	
02	UPDATED SHAFT EXT DIMS	RDW 4/26/04	SW	.XXX	±.005		MAT'L. FINISH	REF
01	CONDUIT HOLE WAS 1/2-14 NPT, DIM .157 WAS .12	SW 10/7/2003	RDW	.XXXX	±.0005	CAD FILE 16993400ME SIZE A		DRAWING NO. 169934.00ME
NO.	REVISION	BY & DATE	CHK	ANG	±1/2"		DIST	

THIS DRAWING IN DESIGN AND DETAIL IS OUR PROPERTY AND MUST NOT BE USED EXCEPT IN CONNECTION WITH OUR WORK ALL RIGHTS OF DESIGN AND INVENTION ARE RESERVED THIS IS AN ELECTRONICALLY GENERATED DOCUMENT - DO NOT SCALE THIS PRINT

VIEW FROM OUTSIDE OF MOTOR AT SWITCH END.



VOLTAGE	L1	L2	L3	JOIN & INSULATE
HIGH	T1	T2	T3	(T4,T7) (T5,T8) (T6,T9)
LOW	T1,T7	T2,T8	T3,T9	T4,T5,T6

		TOLERANCES UNLESS SPECIFIED				DRAWN RDW 04/12/02			
		DEC.	INCHES			CHK	APPD		
		.X	±.1	TITLE EXTERNAL WIRING DIAGRAM 3 PHASE W/O PROTECTOR  MAT'L. DECAL - 004014		SCALE 1=1			
		.XX	±.01			REF FIG.2-51			
		.XXX	±.005			FMF			
		.XXXX	±.0005			PREV			
NO.	REVISION	BY & DATE	CHK	ANG	±1/2"	FINISH	SIZE	DRAWING NO.	REV.
			RFP	04/12/02		CAD FILE 00501001ME	A	005010-01ME	
			DIST						

THIS DRAWING IN DESIGN AND DETAIL IS OUR PROPERTY AND MUST NOT BE USED EXCEPT IN CONNECTION WITH OUR WORK ALL RIGHTS OF DESIGN AND INVENTION ARE RESERVED THIS IS AN ELECTRONICALLY GENERATED DOCUMENT - DO NOT SCALE THIS PRINT



Data Sheet

1431TWD6001



Submittal  
Data @ 460 V

Date: 6/20/2017

Customer:   
Attention:   
Submitted by: FAREEDA DUDEKULA

Motor Load Data

Load	0%	25%	50%	75%	100%	115%	125%	LR
Current (Amps)	0.50	0.58	0.85	1.05	1.30	1.45	1.60	9.8
Torque (ft-lb)	0.00	95.9	194	289	389	7,044	492	991
RPM	3600	3561	3528	3493	3456	3,438	3411	0
Efficiency (%)		63.2	68.0	79.4	81.7	80.1	78.4	
P.F. (%)	18.1	64.9	82.7	84.5	88.1	90.7	93.3	0.0

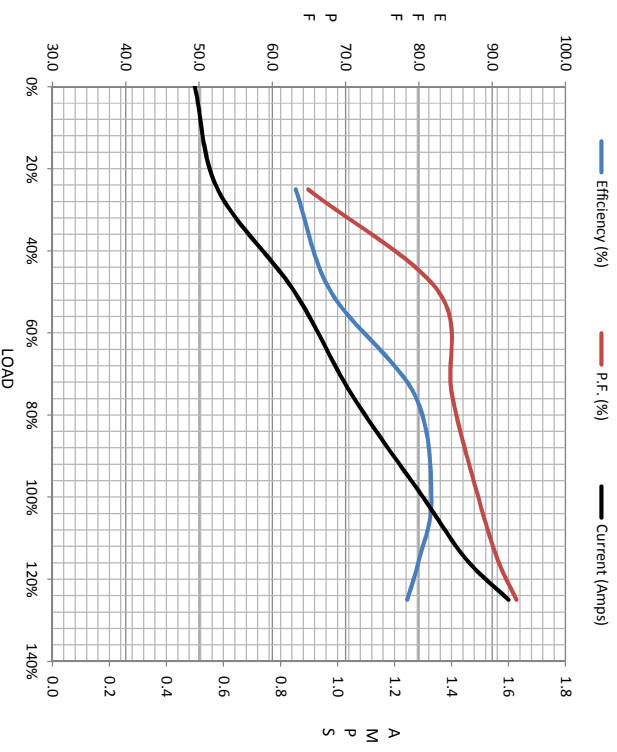
Motor Speed Data

	LR	Pull-Up	BD	Rated	Idle
Speed (rpm)	0	1800	3312	3456	3600
Current (Amps)	9.8	9.0	5.9	1.30	0.50
Torque (ft-lb)	991	656	1,220	389	0.00

Information Block

HP	1.0
Sync. RPM	3600
Frame	0
Enclosure	TEFC
Construction	TFR
Voltage	30/460#190/38 V
Frequency	60 HZ
Design	B
LR Code letter	J
Service Factor	1.15
Temp Rise @ FL	41 °C
Duty	CONT
Ambient	40 °C
Elevation	1,000 feet
Rotor/Shaft wkt	0.05 Lb-Fe
Rel Wdg	Q163Z7 FR
Sound Pressure @ 1M	999 dBA
VFD Rating	NONE
Outline Dwg	16993400ME
Conn. Diag	00501001ME
Additional Specifications:	
0	

EQUIV CKT (OHMS / PHASE)				
R1	R2	X1	X2	Xm
0.0000	0.0000	0.0000	0.0000	0.0000



Speed - Torque Curve

