

PRODUCT INFORMATION PACKET

Model No: 048C17F11005
Catalog No: F1201
1/3,1725,TEFC,48NZ,1/60/50/115/230
Auger Drive



Regal and Marathon are trademarks of Regal Beloit Corporation or one of its affiliated companies.
©2018 Regal Beloit Corporation, All Rights Reserved. MC017097E





Nameplate Specifications

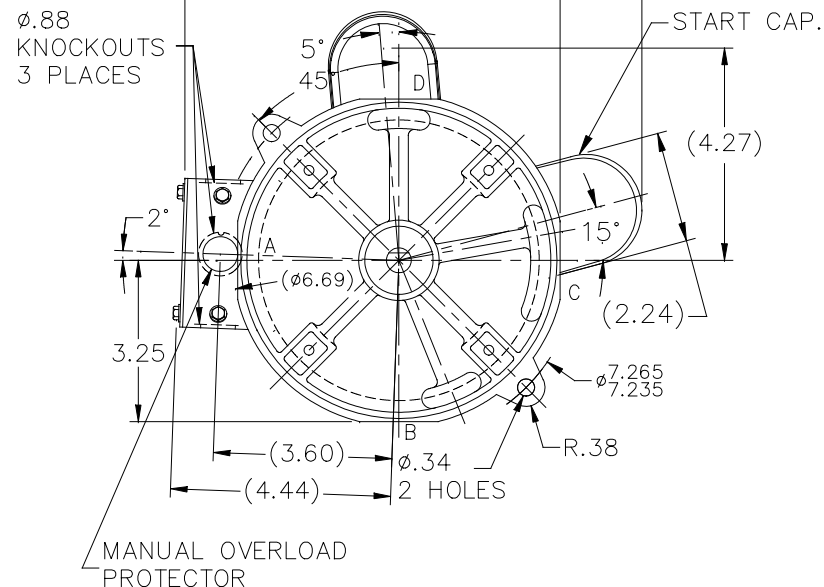
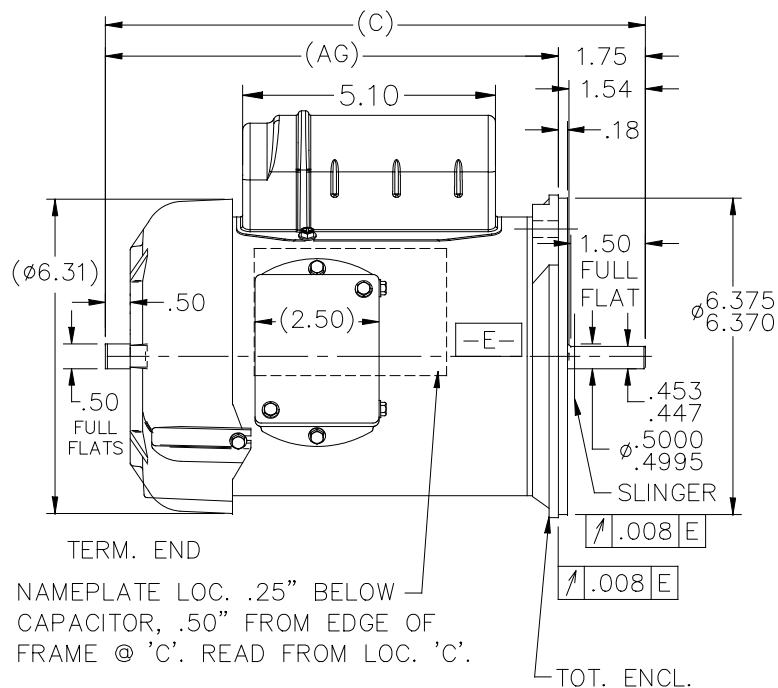
Output HP	0.33 Hp	Output KW	0.25 kW
Frequency	60 Hz	Voltage	115/230 V
Current	6.2/3.1 A	Speed	1725 rpm
Service Factor	1	Phase	1
Efficiency	61 %	Duty	Continuous
Insulation Class	F	Design Code	NO DESIGN CODE
KVA Code	M	Frame	48NZ
Enclosure	Totally Enclosed Fan Cooled	Overload Protector	Manual
Ambient Temperature	40 °C	Drive End Bearing Size	6203
Opp Drive End Bearing Size	6203	UL	Recognized (Not Protector)
CSA	Y	CE	Y
IP Code	43		

Technical Specifications

Electrical Type	Capacitor Start Induction Run	Starting Method	Across The Line
Poles	4	Rotation	Selective Counterclockwise
Mounting	Round	Motor Orientation	Horizontal
Drive End Bearing	Ball	Opp Drive End Bearing	Ball
Frame Material	Rolled Steel	Shaft Type	Single Special Extension
Overall Length	10.31 in	Frame Length	6.00 in
Shaft Diameter	0.500 in	Shaft Extension	1.75 in
Assembly/Box Mounting	F1 Only		
Outline Drawing	A-SS403588-600	Connection Diagram	A-EE9002AY

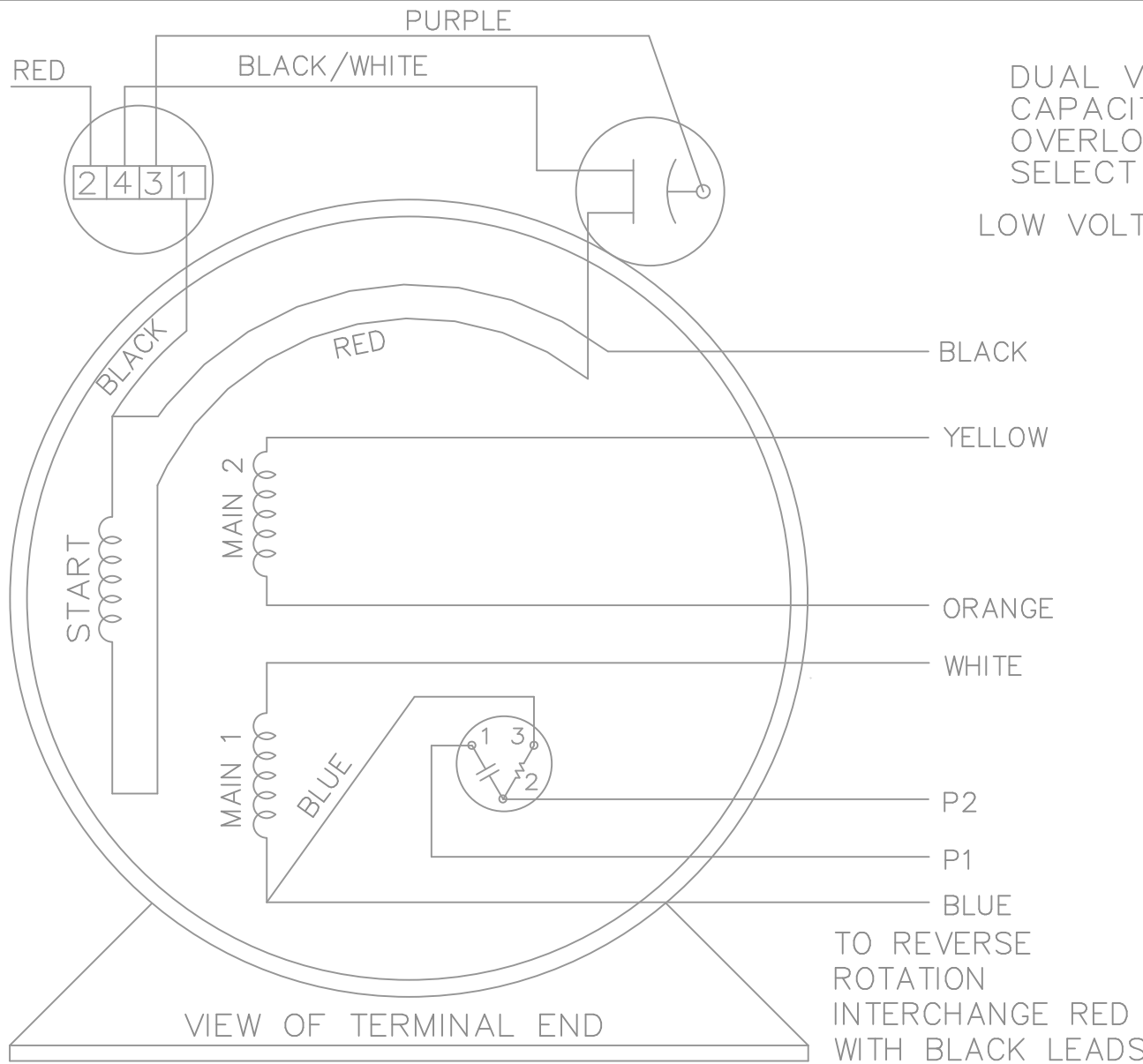
This is an uncontrolled document once printed or downloaded and is subject to change without notice. Date Created: 06/29/2018

SS403588



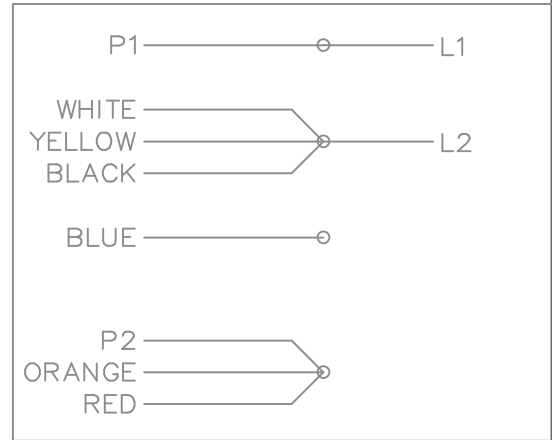
DASH	FRAME	C	AG	
600		10.31	8.66	
625		10.56	8.91	
700		11.31	9.66	

		TOLERANCES UNLESS SPECIFIED		MARATHON ELECTRIC	DRAWN VL 01-19-2007				
		DEC.	INCHES		CHK NB 01-19-2007	APPD DN 01-19-2007			
		.X	±.1	TITLE OUTLINE 48 FRAME N FLANGE	SCALE 5=16				
E	ADDED BIGGER CAP CASE PER ECO-0122084	EL	.XXX ±.005		REF SS400351				
01	UPDATED AS PER ECN # 26068	UD	.XXXX ±.0005	MAT'L.	FMF MU76777				
NO.	REVISION	BY & DATE	CHK ANG ±7'30"	FINISH	PREV ME060038				
THIS DRAWING IN DESIGN AND DETAIL IS OUR PROPERTY AND MUST NOT BE USED EXCEPT IN CONNECTION WITH OUR WORK ALL RIGHTS OF DESIGN AND INVENTION ARE RESERVED THIS IS AN ELECTRONICALLY GENERATED DOCUMENT - DO NOT SCALE THIS PRINT				RFP	CAD FILE SS403588	SIZE A	DRAWING NO. SS403588	PAGE OF	REV. E
				DIST WP					



DUAL VOLTAGE
CAPACITOR START
OVERLOAD
SELECT ROTATION

LOW VOLT. CCW ROT. SHOWN



HIGH VOLT. CCW ROT.



TO REVERSE
ROTATION
INTERCHANGE RED
WITH BLACK LEADS

				TOLERANCES UNLESS SPECIFIED			DRAWN BLR 08-21-1997		
				DEC.	INCHES		CHK ML 08-25-1997		
				.X	± -		APPD DAR 08-29-1997		
				.XX	± -		SCALE 1=1		
				.XXX	± -		REF		
1	ADDED REVERSING NOTE, CONVERTED TO CAD	VL 02-28-2007		.XXXX	± -	MAT'L.			
NO.	REVISION	BY & DATE	CHK	ANG	± -	FINISH			
THIS DRAWING IN DESIGN AND DETAIL IS OUR PROPERTY AND MUST NOT BE USED EXCEPT IN CONNECTION WITH OUR WORK ALL RIGHTS OF DESIGN AND INVENTION ARE RESERVED THIS IS AN ELECTRONICALLY GENERATED DOCUMENT - DO NOT SCALE THIS PRINT				RFP	CAD FILE ee9002ay		SIZE	DRAWING NO. PAGE OF	REV.
				DIST	WP	A		EE9002AY	1

