

PRODUCT INFORMATION PACKET

Model No: 048A11T571
Catalog No: X414
1/2,1140,TEAO,48Y,1/60/208-230
Condenser Fans



Regal and Marathon are trademarks of Regal Beloit Corporation or one of its affiliated companies.
©2018 Regal Beloit Corporation, All Rights Reserved. MC017097E

Nameplate Specifications

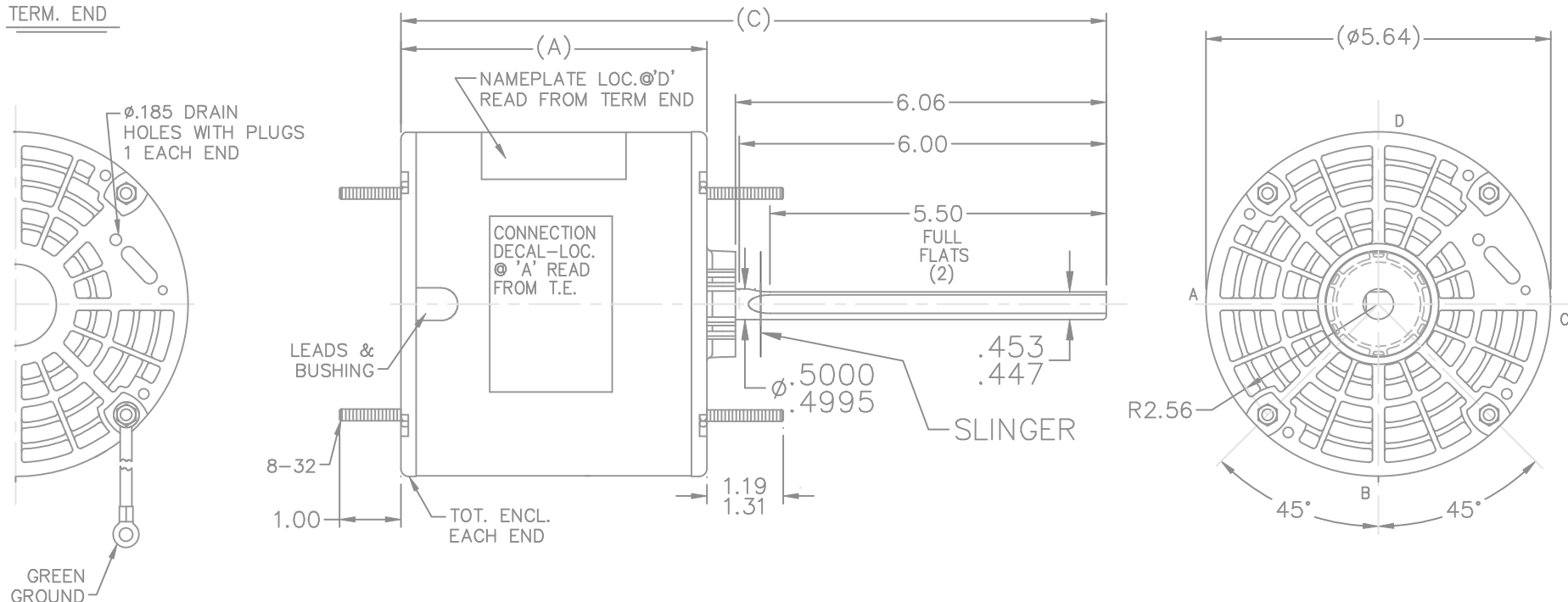
Output HP	0.50 Hp	Output KW	0.37 kW
Frequency	60 Hz	Voltage	208-230 V
Current	2.8-2.7 A	Speed	1075 rpm
Service Factor	1	Phase	1
Efficiency	70 %	Duty	Continous
Insulation Class	B	Design Code	N
KVA Code	C	Frame	48Z
Enclosure	Totally Enclosed Air Over	Overload Protector	Automatic Lock Rotor Only
Ambient Temperature	60 °C	Drive End Bearing Size	6203
Opp Drive End Bearing Size	6203	UL	Recognized
CSA	Y	CE	N
IP Code	43		

Technical Specifications

Electrical Type	Permanent Split Capacitor	Starting Method	Across The Line
Poles	6	Rotation	Selective Counterclockwise
Mounting	Round - Extended Studs	Motor Orientation	Horizontal
Drive End Bearing	Ball	Opp Drive End Bearing	Ball
Frame Material	Rolled Steel	Shaft Type	Single Special Extension
Overall Length	11.50 in	Frame Length	4.50 in
Shaft Diameter	0.500 in	Shaft Extension	6.06 in
Assembly/Box Mounting	F1 Only		
Outline Drawing	A-SS403766-450	Connection Diagram	6906496

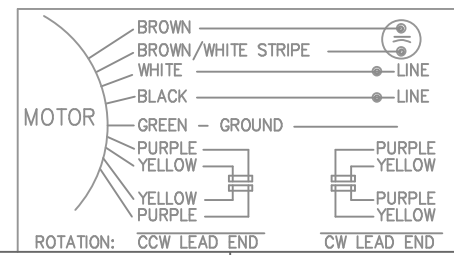
This is an uncontrolled document once printed or downloaded and is subject to change without notice. Date Created: 10/08/2018

TERM. END



LEAD DESCRIPTION:

1 WHITE, 1BLACK, BARE WIRE STRIPPED .50, 30.00" LONG
 1 BROWN AND 1 BROWN WITH WHITE MARK WITH .25 FLAG TYPE
 QUICK CONNECT 30.00" LONG. BROWN LEAD WITH WHITE MARK
 IS COMMON TO WHITE.
 PURPLE AND YELLOW REVERSING LEADS ARE MOLDED INTO MATING
 PULL APART PLUGS 5.00" LONG.
 GREEN GROUND WITH TERM. FOR #10 SCREW 12.00" LONG.



DASH	FRAME	C	A
325	48Y	10.25	3.75
375	48Y	10.75	4.25
425	48Y	11.25	4.75
450	48Y	11.50	5.00
475	48Y	11.75	5.25

TOLERANCES UNLESS SPECIFIED

DEC.	INCHES
.X	±.1
.XX	±.03
.XXX	±.005
.XXXX	±.0005



TITLE OUTLINE

MAT'L.

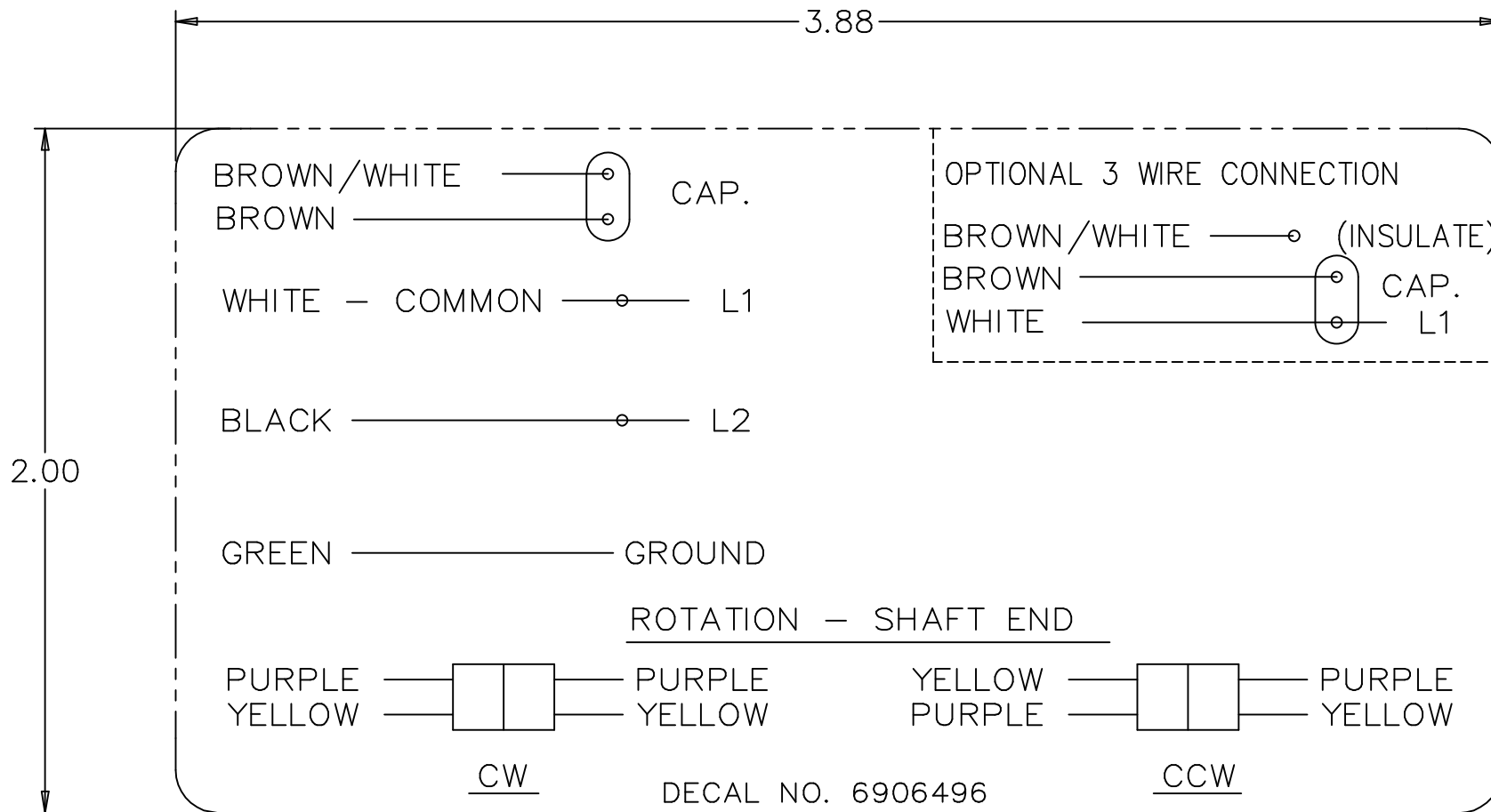
FINISH

DRAWN	RP 09-01-2008
CHK	SP 09-01-2008
APPD	NB 09-01-2008
SCALE	3=8
REF	SS400182
FMF	
PREV	

NO.	REVISION	BY & DATE	CHK	ANG	±7'30"
			RFP	09-01-2008	
			DIST	WP	

THIS DRAWING IN DESIGN AND DETAIL IS OUR PROPERTY AND MUST NOT BE USED EXCEPT IN CONNECTION WITH OUR WORK ALL RIGHTS OF DESIGN AND INVENTION ARE RESERVED THIS IS AN ELECTRONICALLY GENERATED DOCUMENT - DO NOT SCALE THIS PRINT

CAD FILE	SS403766	SIZE	A	DRAWING NO.	SS403766	PAGE	OF	REV.
----------	----------	------	---	-------------	----------	------	----	------



NO.	REVISION	BY & DATE	CHK	TOLERANCES UNLESS SPECIFIED		FINISH	DRAWN MRB 04-16-1998	
				DEC.	INCHES			
4	ADDED DIM. TO DECAL	RDH 09/22/2003	ML	.X	±.1	REGAL-BELOIT <i>Motor Technologies</i>	CHK ML 04-22-1998	
3	REMOVED 'MARATHON ELECTRIC' CN 35106	DRS 05-01-2002	TOM	.XX	±.02		TITLE CONNECTION DECAL	APPD GK 04-22-1998
2	PART NAME WAS CONNECTION DIAGRAM CN 25669	MRB 04-23-1998		.XXX	±.005			SCALE 1=1
1	NEW DRAWING CN 25669	MRB 04-22-1998		.XXXX	±.0005		MAT'L.	REF
				ANG	±7'30"		FMF	
			RFP	CAD FILE 6906496			PREV	
THIS DRAWING IN DESIGN AND DETAIL IS OUR PROPERTY AND MUST NOT BE USED EXCEPT IN CONNECTION WITH OUR WORK ALL RIGHTS OF DESIGN AND INVENTION ARE RESERVED THIS IS AN ELECTRONICALLY GENERATED DOCUMENT - DO NOT SCALE THIS PRINT			DIST	WP	SIZE	DRAWING NO. 6906496	PAGE OF 4	
					A		REV. 4	

