

PRODUCT INFORMATION PACKET

Model No: 5KH39QN9546
Catalog No: 4372
1/3,1725,DP,56Z,1/60/115
General Purpose Motors



Regal and Marathon are trademarks of Regal Rexnord Corporation or one of its affiliated companies.
©2021 Regal Rexnord Corporation, All Rights Reserved. MC017097E

Nameplate Specifications

Output HP	0.33 Hp	Output KW	0.25 kW
Frequency	60 Hz	Voltage	115 V
Current	6.2 A	Speed	1725 rpm
Service Factor	1	Phase	1
Efficiency	59.5 %	Power Factor	0
Duty	Continuous	Insulation Class	B
KVA Code	T	Frame	56Z
Enclosure	Drip Proof	Thermal Protection	N/R
Ambient Temperature	40 °C	Drive End Bearing Size	6203
Opp Drive End Bearing Size	6203	UL	Recognized
CSA	Yes	CE	N
Number of Speeds	1		

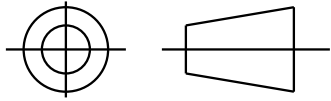
Technical Specifications

Electrical Type	Split Phase	Starting Method	SM
Poles	4	Rotation	Counterclockwise/Clockwise
Mounting	Rigid Base	Motor Orientation	ANY
Drive End Bearing	BALL	Opp Drive End Bearing	Ball
Frame Material	Rolled Steel	Overall Length	8.9 in
Frame Length	5.16 in	Shaft Diameter	0.500 in
Shaft Extension	1.5 in		
Connection Drawing	52A105377AA	Outline Drawing	52A106960P1

This is an uncontrolled document once printed or downloaded and is subject to change without notice. Date Created:10/11/2021

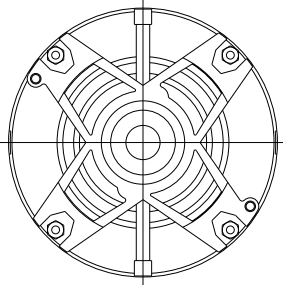
SHEET 1
REV 4
52A106960
SIZE DRAWING NO. A

THIRD ANGLE PROJECTION

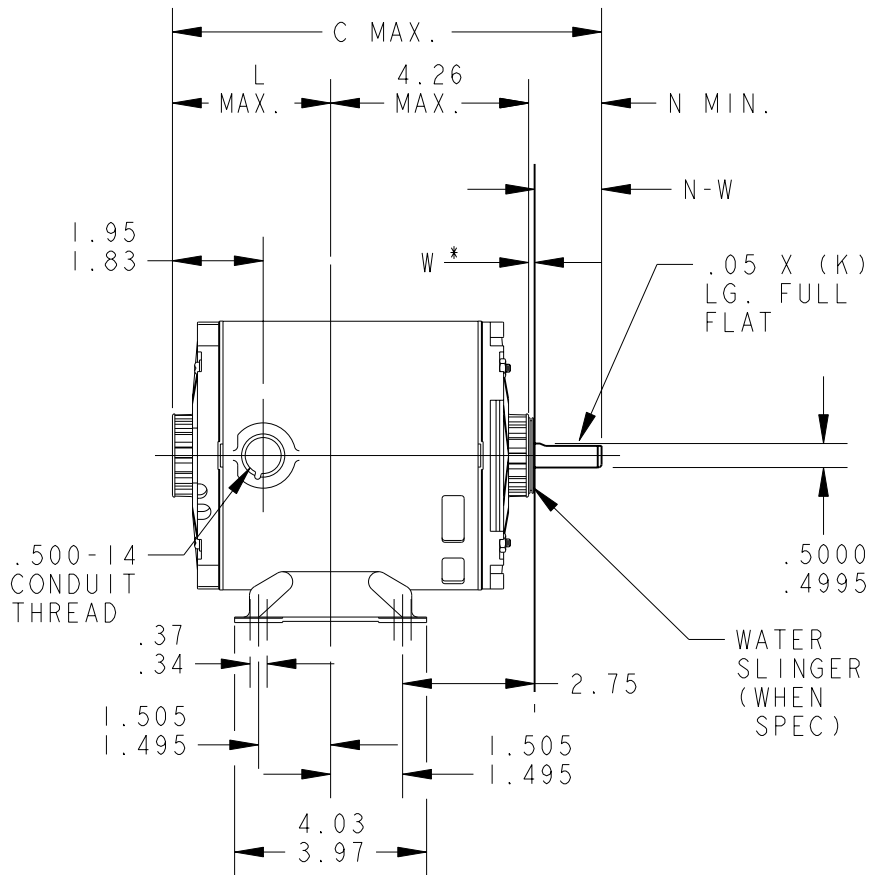
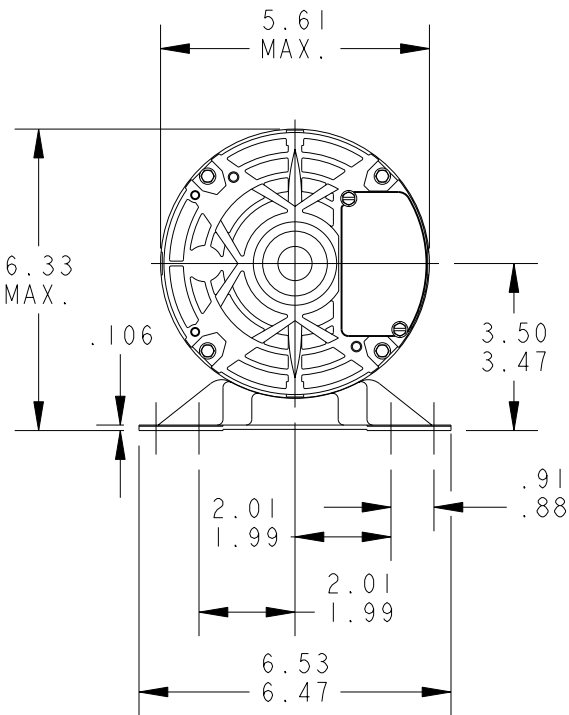


REVISIONS

REV.	DESCRIPTION	DATE	APPROVED
2	REDRAWN WITHOUT CHANGE	04/30/92	BLJ
3	REDRAWN BY 2M SOFTWARE CO.	03/04/95	CCP
4	CHG TO RBC FORMAT PER ISO5-1777	02/15/06	SUDHA



VIEW SHOWING P.E. VENTILATION OPENINGS



I	KH	32	56Z	8.94	1.16	3.23	1.50	1.63/1.47
P	TYPE	GE SIZE	NEMA FR	C	K	L	N	N-W

W* IS A CLEARANCE DUE TO VARIATION IN PARTS AND ASSEMBLY.

SIGNATURES		DATE
MODEL	M.A.M.	06/15/89
DETAIL	.	.
CHECKED	.	.
ENGRG	.	.
MFG	.	.
QUALITY	.	.
ISSUED	C.C.P.	03/04/95
SOLID MODEL:	52A106960	



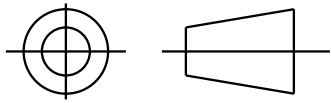
REGAL-BELOIT CORPORATION

TITLE
OUTLINE
FORM N - GENERAL PURPOSE MOTOR - DRIP PROOF - WELDED BASE - BALL OR SLEEVE BEARING FMF: 5KH39QN9546A

SIZE DRAWING	A	REF. No:	.	SCALE: 0.250	REV	4	SHEET 1 of 1
--------------	---	----------	---	--------------	-----	---	--------------

SHEET 1
 REV 1
 SIZE DRAWING NO. 52A105377AA
 A

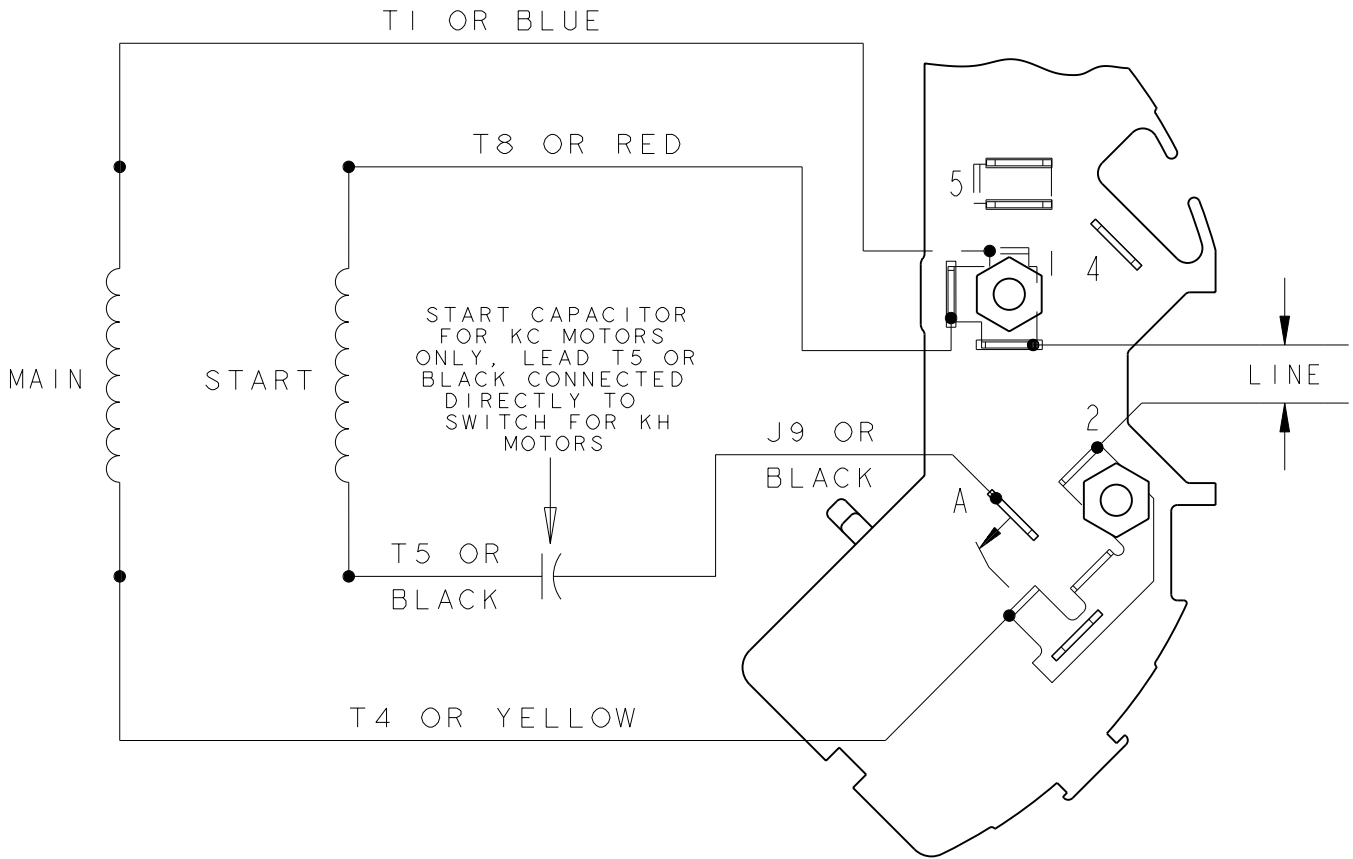
THIRD ANGLE PROJECTION



REVISIONS

REV.	DESCRIPTION	DATE	APPROVED
1	UPDATED FORMAT	11/10/05	MAM

EITHER ROTATION - SINGLE VOLTAGE
TYPE KC, OR KH



NOTE #1 - TO REVERSE ROTATION INTERCHANGE BLACK (T5-KH OR J9-KC) AND RED (T8) LEADS.

NOTE #2 - WHEN MORE THAN ONE CAPACITOR IS USED CONNECT IN PARALLEL.

REF. DIAG. - 121A850		SWITCH (C) - 115D958AB	
CONNECTION LABEL - 52X332047			
SIGNATURES	DATE	REGAL-BELOIT CORPORATION CONNECTION DIAGRAM FMF: 30 FRAME SWITCH REDESIGN	
MODEL M.D. PAPE	06/29/87		
DETAIL	.		
CHECKED	.		
ENGRG	.		
MFG	.		
FOR ADDITIONAL INFO REFER TO:	QUALITY	SIZE DRAWING	REV
APPLIED PRACTICES	ISSUED M.D.P. 06/29/87	A	1
DIMENSIONS ARE IN INCHES ✓	SOLID MODEL: 52A105377AA	SCALE: 1.000	REF. No: .
MATERIAL			SHEET 1 of 1