

PRODUCT INFORMATION PACKET

Model No: 5KH39QN5538X
Catalog No: 4350
1/6,1725,DP,56Z,1/60/115
Fan and Blower Motors



Regal and Marathon are trademarks of Regal Rexnord Corporation or one of its affiliated companies.
©2021 Regal Rexnord Corporation, All Rights Reserved. MC017097E

Nameplate Specifications

Output HP	0.17 Hp	Output KW	0.13 kW
Frequency	60 Hz	Voltage	115 V
Current	3.9 A	Speed	1725 rpm
Service Factor	1.35	Phase	1
Efficiency	49.6 %	Power Factor	0
Duty	Continuous	Insulation Class	B
KVA Code	S	Frame	56Z
Enclosure	Drip Proof	Thermal Protection	AUTO
Ambient Temperature	40 °C	Drive End Bearing Size	6203
Opp Drive End Bearing Size	6203	UL	Recognized
CSA	Yes	CE	N
Number of Speeds	1		

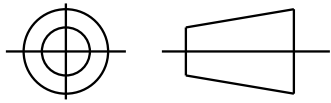
Technical Specifications

Electrical Type	Split Phase	Starting Method	SM
Poles	4	Rotation	Counterclockwise/Clockwise
Mounting	Resilient Base	Motor Orientation	ANY
Drive End Bearing	BALL	Opp Drive End Bearing	Ball
Frame Material	Rolled Steel	Overall Length	9.19 in
Frame Length	5.41 in	Shaft Diameter	0.500 in
Shaft Extension	1.5 in	Thru-bolts Extension	0 in
Connection Drawing	52A105379AA	Outline Drawing	52A106942P1

This is an uncontrolled document once printed or downloaded and is subject to change without notice. Date Created:10/11/2021

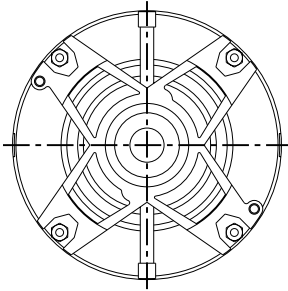
SHEET 1
REV 5
52A106942
SIZE DRAWING NO. A

THIRD ANGLE PROJECTION

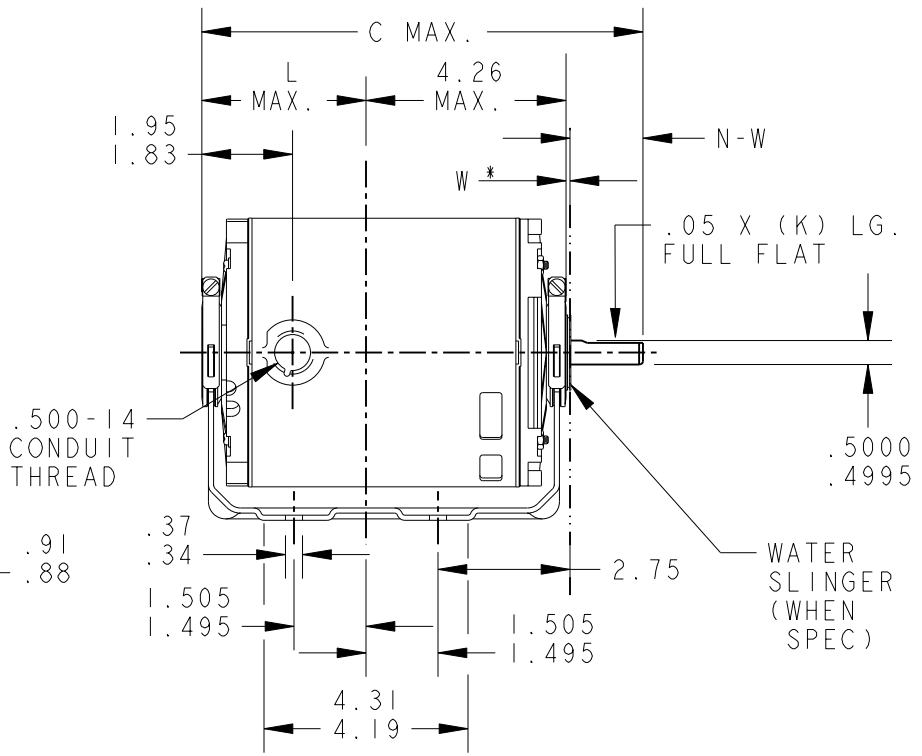
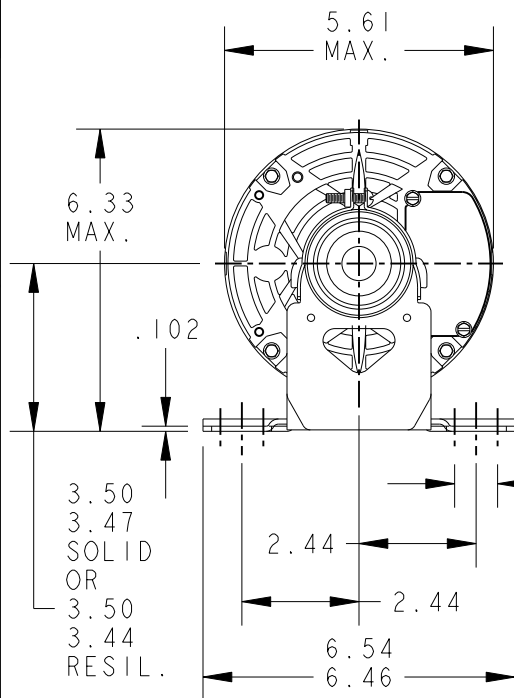


REVISIONS

REV.	DESCRIPTION	DATE	APPROVED
3	CHGD. TO BALL/SLV BRG. IN TITLE	03/10/94	M.D.PAPE
4	REDRAWN BY 2M SOFTWARE CO.	02/10/95	CCP
5	CHG TO RBC FORMAT PER ISO5-1777	02/15/06	SUDHA




VIEW SHOWING P.E. VENTILATION OPENINGS



W * IS A CLEARANCE DUE TO VARIATION IN PARTS AND ASSEMBLY.

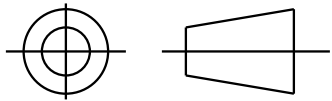
I	KH	33	56Z	9.19	1.16	3.48	1.50	1.63/1.41
P	TYPE	GE SIZE	NEMA FR	C	K	L	N	N-W

FOR ADDITIONAL INFO REFER TO: APPLIED PRACTICES DIMENSIONS ARE IN INCHES ✓ MATERIAL	SIGNATURES		DATE	 <p>REGAL-BELOIT CORPORATION</p> <p>TITLE OUTLINE</p> <p>FORM N - GENERAL PURPOSE MOTOR -</p> <p>DRIP PROOF - RESIL BASE - BALL/SLV BEARING FMF: 5KH39QN5523</p>
	MODEL M.A.M.		05/10/89	
	DETAIL		.	
	CHECKED		.	
	ENGRG		.	
MFG		.	.	
QUALITY		.	.	
ISSUED C.C.P.		02/10/95	.	
SOLID MODEL: 52A106942				
SCALE: 0.250		REF. No: .		
SIZE DRAWING A		SHEET 1 of 1		

52A106942 REV 5

SHEET 6
REV 6
52A105379AA
SIZE DRAWING NO. A

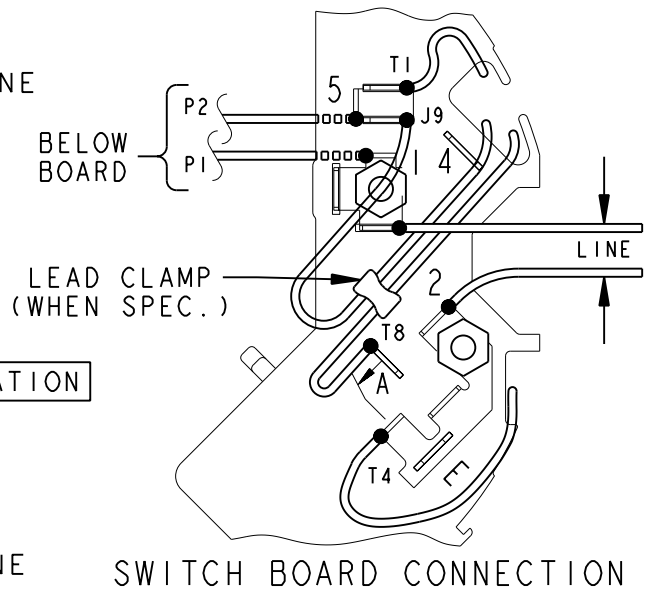
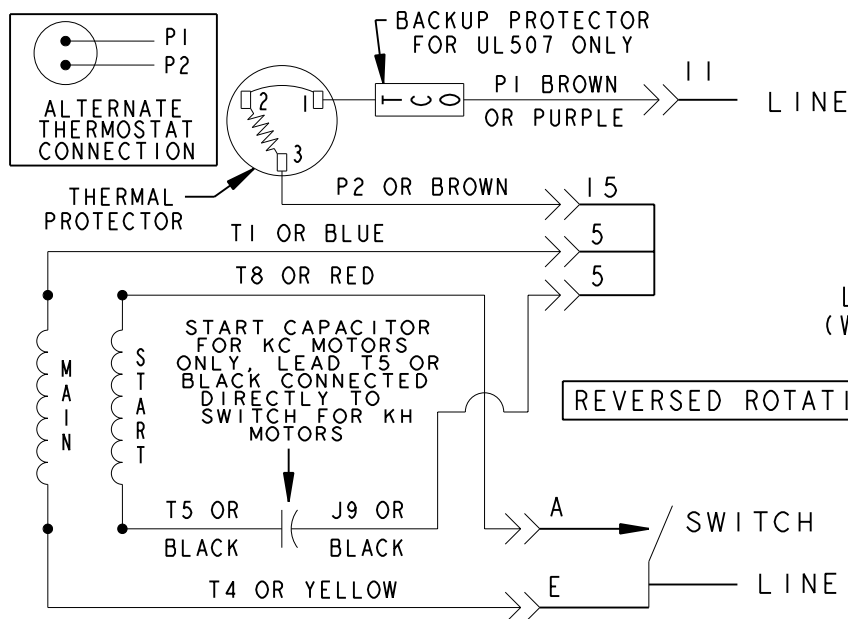
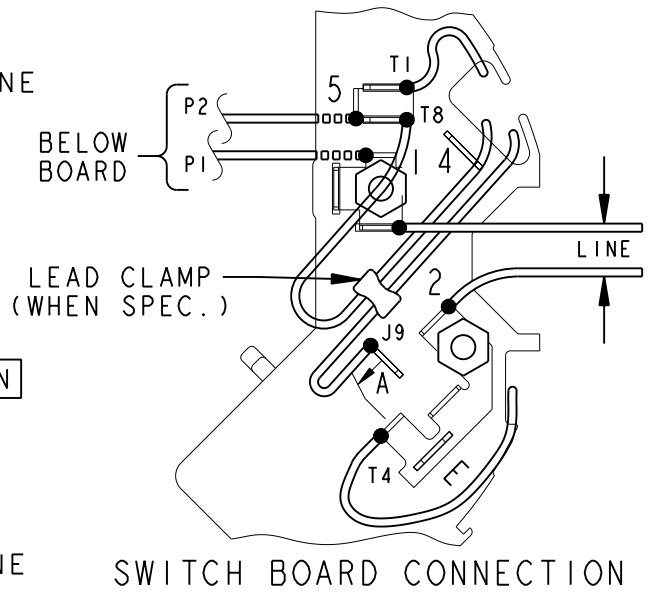
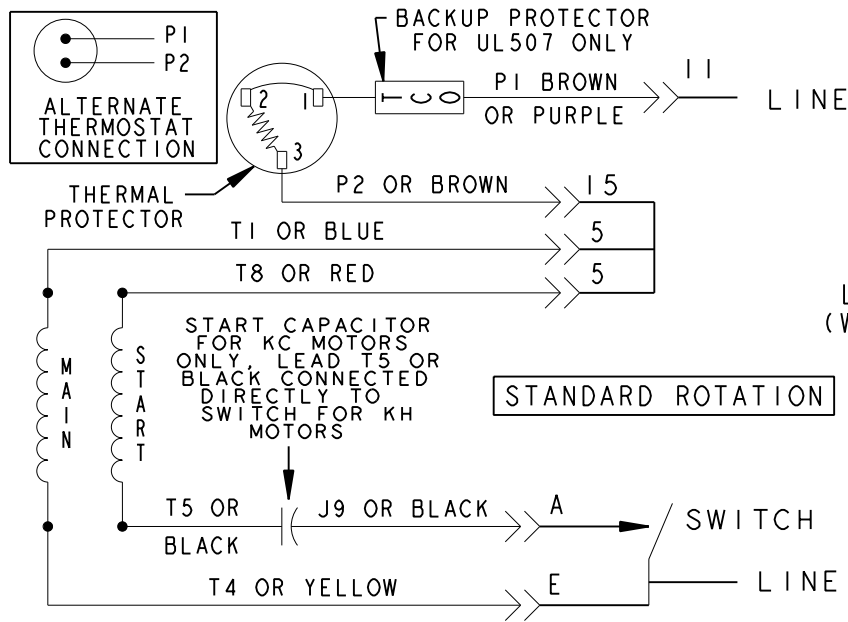
THIRD ANGLE PROJECTION



REVISIONS

REV.	DESCRIPTION	DATE	APPROVED
6	UPDATED FORMAT	12/01/05	MAM


EITHER ROTATION-SINGLE VOLTAGE-TYPE KC OR KH-WITH THERMAL PROTECTOR



NOTE #1 - TO REVERSE ROTATION INTERCHANGE RED (T8) AND BLACK (J9-KC OR T5-KH) LEADS.
NOTE #2 - WHEN MORE THAN ONE CAPACITOR IS USED CONNECT IN PARALLEL.

SWITCH (C) - 115D958AB	REF. DIAG. - 121A851	CONN. LABEL - 52X332048
------------------------	----------------------	-------------------------

SIGNATURES		DATE
MODEL	M. D. PAPE	06/29/87
DETAIL	.	.
CHECKED	.	.
ENGRG	.	.
MFG	.	.
FOR ADDITIONAL INFO REFER TO:	QUALITY	.
APPLIED PRACTICES	ISSUED	M. D. P. 03/08/00
DIMENSIONS ARE IN INCHES ✓	SOLID MODEL: 52A105379AA	



REGAL-BELOIT CORPORATION

CONNECTION DIAGRAM

FMF - 30 FR SWITCH REDESIGN

SIZE DRAWING: A

SCALE: 1.000 REF. No: .

REV 6

52A105379AA

SHEET 1 of 1