

PRODUCT INFORMATION PACKET

Model No: 5K48TN6119S
Catalog No: K1486
1.5,1140,DP,56HZ,3/60/208-230/460
Condenser Fans



Regal and Marathon are trademarks of Regal Beloit Corporation or one of its affiliated companies.
©2018 Regal Beloit Corporation, All Rights Reserved. MC017097E





Nameplate Specifications

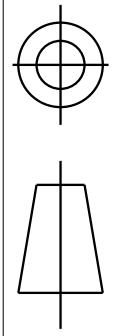
Output HP	1.50 Hp	Output KW	1.1 kW
Frequency	60 Hz	Voltage	208-230/460 V
Current	5.1-5.0,2.5 A	Speed	1140 rpm
Service Factor	1	Phase	3
Efficiency	77 %	Duty	Continuous
Insulation Class	B	KVA Code	H
Frame	56HZ	Enclosure	Drip Proof
Overload Protector	AUTO	Ambient Temperature	65 °C
Drive End Bearing Size	6203	Opp Drive End Bearing Size	6203
UL	Recognized	CSA	Yes
CE	N		

Technical Specifications

Electrical Type	Three Phase	Starting Method	N/R
Poles	6	Rotation	Counterclockwise/Clockwise
Mounting	Rigid base	Motor Orientation	Vsu
Drive End Bearing	BALL	Opp Drive End Bearing	BALL
Frame Material	Rolled Steel	Overall Length	16.77 in
Frame Length	8.43 in	Shaft Diameter	0.630 in
Shaft Extension	6 in	Thru-bolts Extension	0
Outline Drawing	52A109728P2	Connection Diagram	52A110547

This is an uncontrolled document once printed or downloaded and is subject to change without notice. Date Created: 06/29/2018

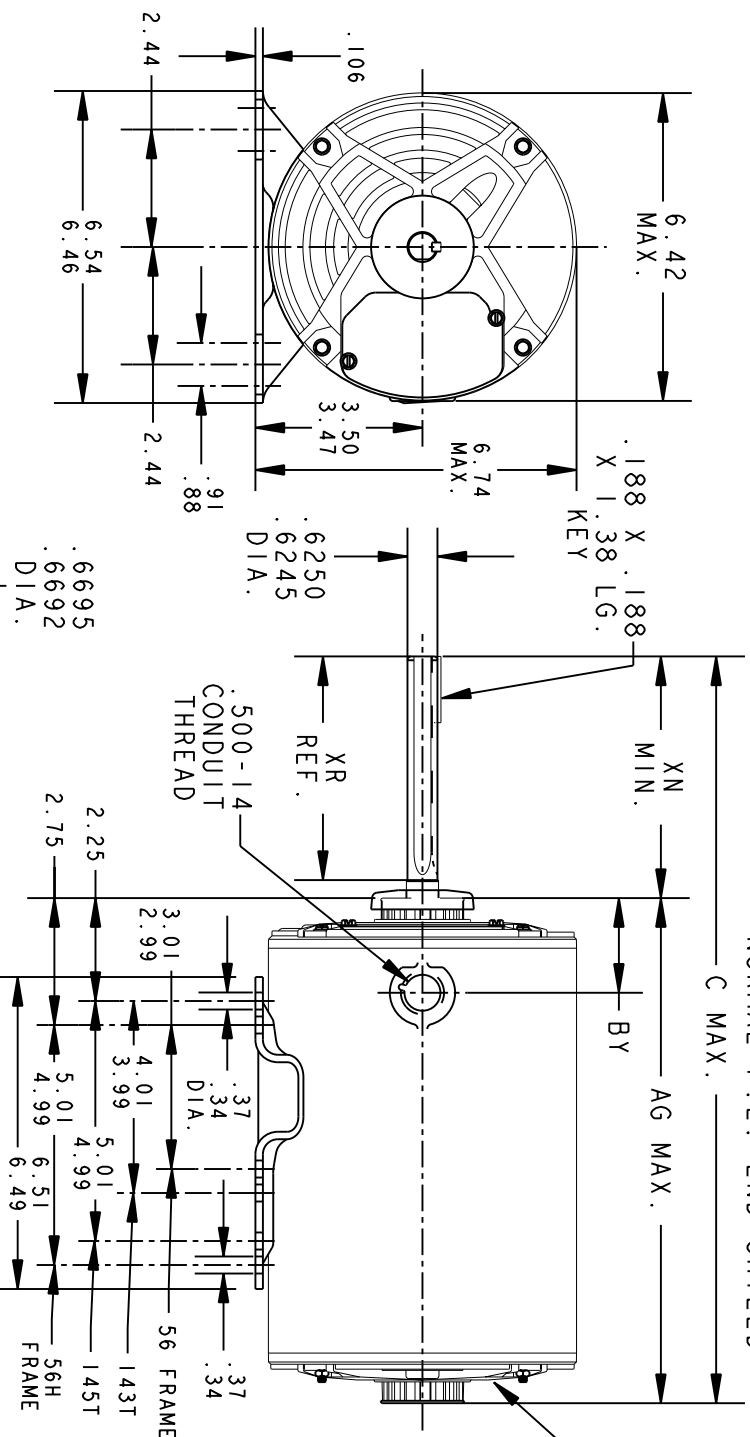
THIRD ANGLE PROJECTION



REVISIONS

REV.	DESCRIPTION	DATE	APPROVED
2	ADDED PART #3.	06/02/97	M.D. PAPE
3	CHG TO RBC FORMAT PER ISO5-1777	03/24/06	SUDHA

NOTE #1
VENTILATION OPENINGS
AROUND ENTIRE FACE OF
NORMAL P.E. END SHIELD



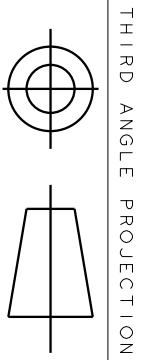
P	TYPE	GE SIZE	NEMA FR	XN	C	AG	REMARKS	SHELL LG.	BY	XR
3	K	48	56HZ	3.25	14.02	10.65	NOTE #1	8.43	2.07/1.95	3.00
2	K	48	56Z	6.00	16.77	10.65	NOTE #1	8.43	2.07/1.95	5.74
1	K	49	56Z	6.00	16.02	9.90	NOTE #1	7.68	2.07/1.95	5.74



REGAL-BELOIT CORPORATION

SIGNATURES		DATE
MODEL	M.D. PAPE	03/03/95
DETAIL		
CHECKED		
ENGRG		
FOR ADDITIONAL INFO REFER TO:	MFG	
APPLIED PRACTICES	QUALITY	
DIMENSIONS ARE IN INCHES	ISSUED	M.D. PAPE 03/03/95
MATERIAL	SOLID MODEL:	52A109728

TITLE	
40 FR. REDESIGN - OUTDOOR CONDENSOR - TENV (SE) DRIP PROOF (PE) - BALL BEARING - WELDED BASE FME: SK49RN618S	
SIZE	DRAWING
A	A
SCALE:	0.250 REF. No.:
52A109728	
REV	3
SHEET 1 of 1	

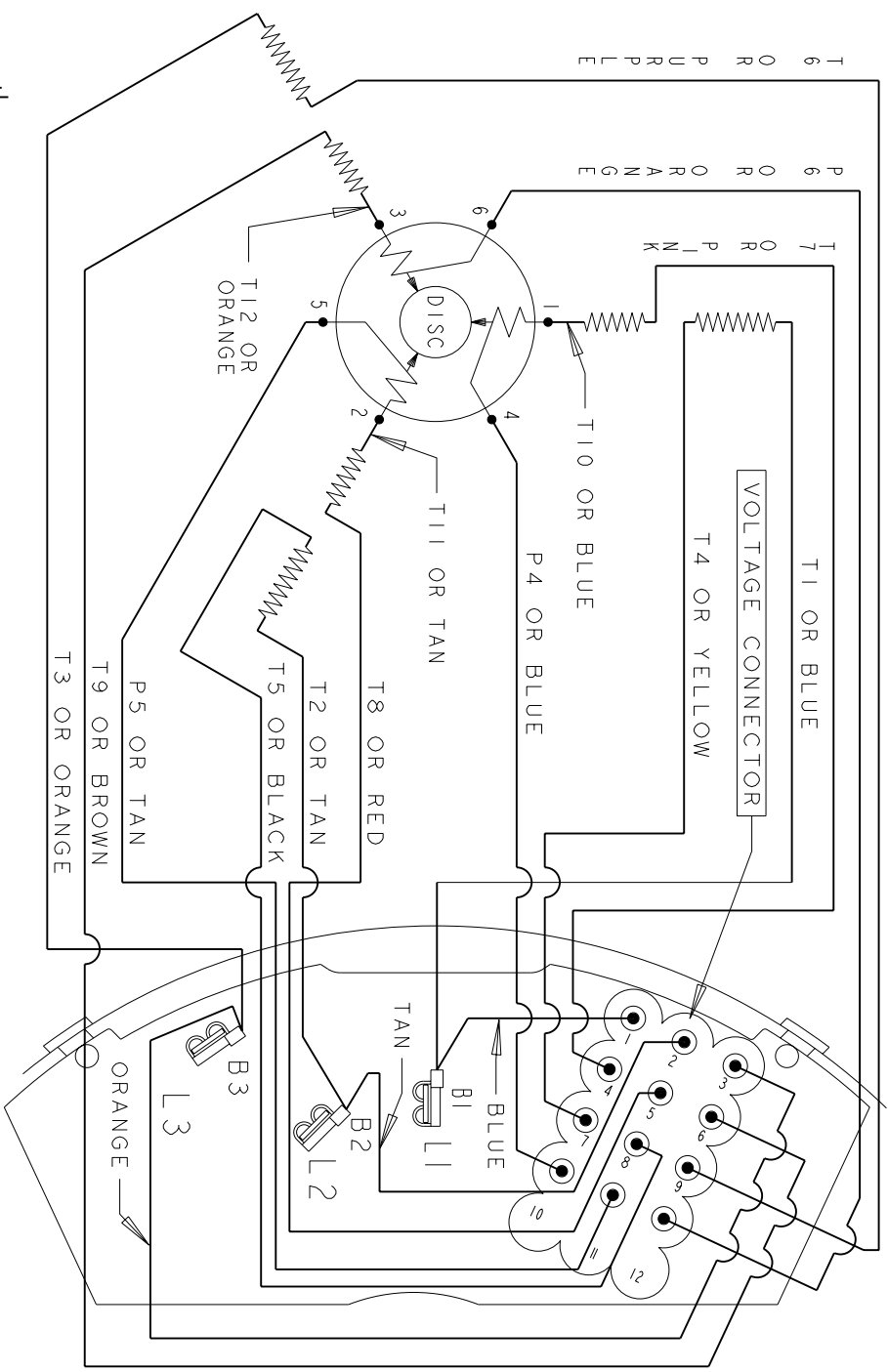


THIRD ANGLE PROJECTION

REVISIONS

REV.	DESCRIPTION	DATE	APPROVED
2	UPDATED TO RBC FORMAT	01/17/06	MAM

TYPE K - DUAL VOLTAGE - THREE PHASE THERMAL PROTECTION - VOLTAGE CONNECTION DEVICE



GROUND (WHEN REQ'D.)

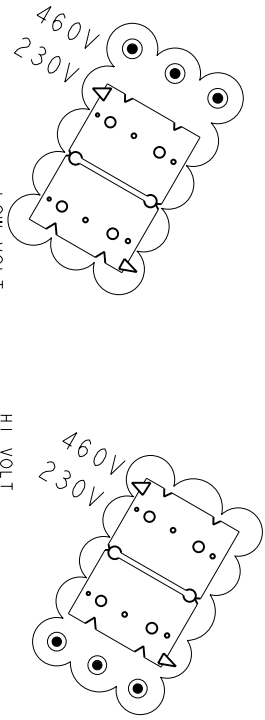
NOTE #1 - TO REVERSE ROTATION, INTERCHANGE ANY TWO LINE CONNECTIONS TO L1, L2, OR L3.

BOTTOM VIEW OF TERMINAL BOARD

CONNECTIONS MADE BY PLUG

- LOW = 1 TO 4, 7 TO 10, 2 TO 5, 8 TO 11, 3 TO 6, 8 9 TO 12
- HI = 4 TO 7, 5 TO 8, 8 6 TO 9

CONNECTION LABEL - 52X333311



TOP VIEW VOLTAGE CONNECTOR

SIGNATURES	DATE
MODEL N. MANGESH	12/12/01
DETAIL	
CHECKED TAYLEN L.	12/15/01
ENGRG	
FOR ADDITIONAL INFO REFER TO:	
APPLIED PRACTICES	QUALITY
DIMENSIONS ARE IN INCHES	ISSUED TAYLEN L.
MATERIAL	SOLID MODEL: 52A110547



REGAL-BELOIT CORPORATION

CONNECTION DIAGRAM

FME: TYPE K - VOLTAGE CHANGE DEVICE - DUAL VOLTAGE

SCALE: 1.000 REF. No.: .

SIZE DRAWING A

52A110547

SHEET 1 of 1