

# PRODUCT INFORMATION PACKET

Model No: 184TTFW16020  
Catalog No: E2137  
5,3600,TEFC,184T,3/60/575  
Totally Enclosed Fan Cooled (TEFC)



Regal and Marathon are trademarks of Regal Beloit Corporation or one of its affiliated companies.  
©2018 Regal Beloit Corporation, All Rights Reserved. MC017097E





### Nameplate Specifications

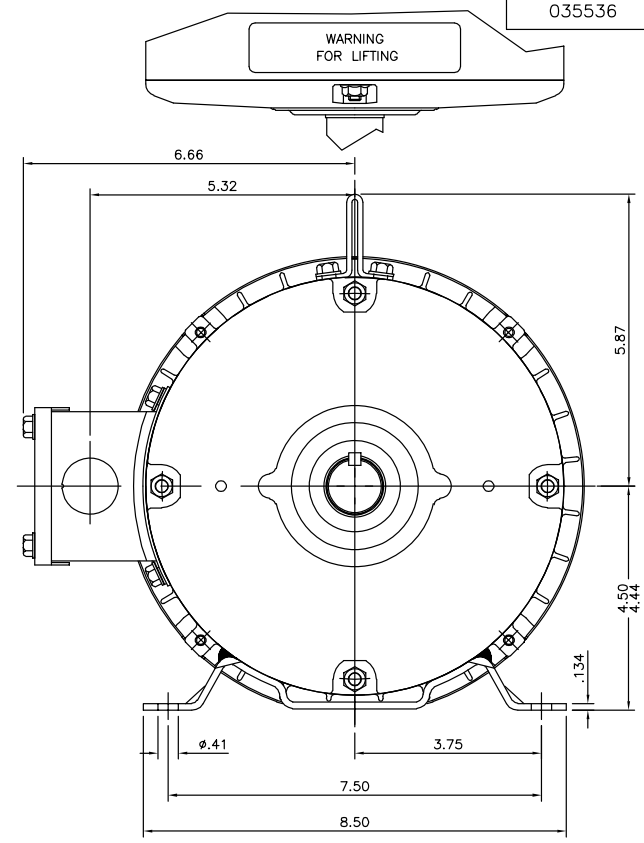
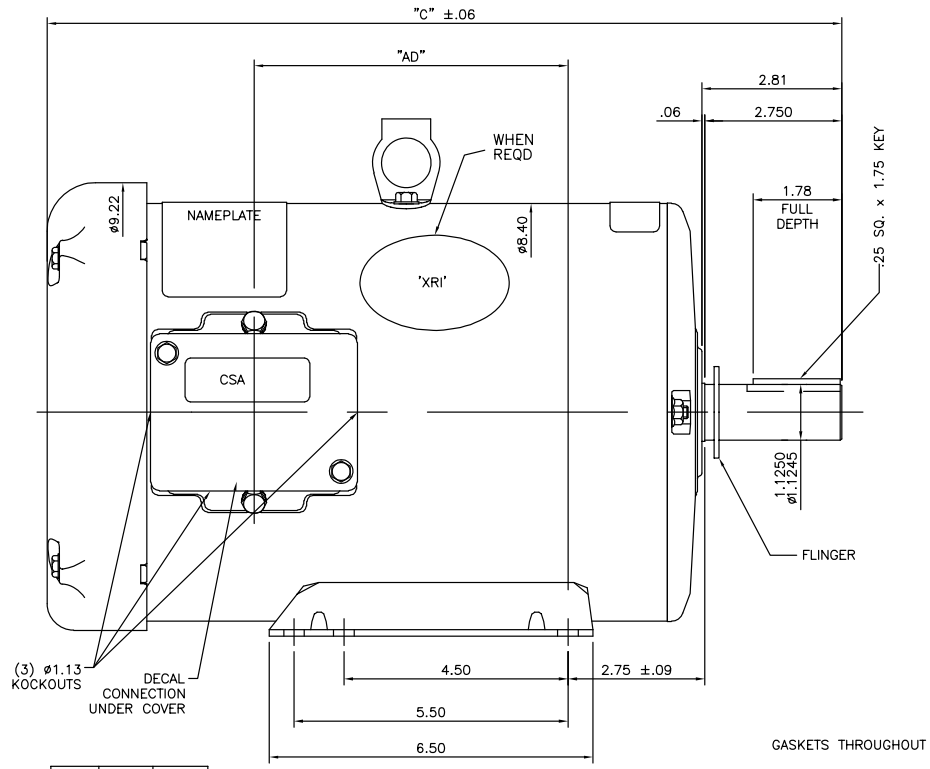
Output HP	<b>5 Hp</b>	Output KW	<b>3.7 kW</b>
Frequency	<b>60 Hz</b>	Voltage	<b>575 V</b>
Current	<b>4.8 A</b>	Speed	<b>3495 rpm</b>
Service Factor	<b>1.15</b>	Phase	<b>3</b>
Efficiency	<b>88.5 %</b>	Duty	<b>Continuous</b>
Insulation Class	<b>F</b>	Design Code	<b>B</b>
KVA Code	<b>J</b>	Frame	<b>184T</b>
Enclosure	<b>Totally Enclosed Fan Cooled</b>	Overload Protector	<b>No</b>
Ambient Temperature	<b>40 °C</b>	Drive End Bearing Size	<b>6206</b>
Opp Drive End Bearing Size	<b>6205</b>	UL	<b>Recognized</b>
CSA	<b>Y</b>	CE	<b>Y</b>
IP Code	<b>43</b>		

### Technical Specifications

Electrical Type	<b>Squirrel Cage Inverter Rated</b>	Starting Method	<b>Line Or Inverter</b>
Poles	<b>2</b>	Rotation	<b>Reversible</b>
Mounting	<b>Rigid base</b>	Motor Orientation	<b>Horizontal</b>
Drive End Bearing	<b>Ball</b>	Opp Drive End Bearing	<b>Ball</b>
Frame Material	<b>Rolled Steel</b>	Shaft Type	<b>T</b>
Overall Length	<b>14.97 in</b>	Frame Length	<b>9.50 in</b>
Shaft Diameter	<b>1.125 in</b>	Shaft Extension	<b>2.81 in</b>
Assembly/Box Mounting	<b>F1 Only</b>		
Outline Drawing	<b>035536-950</b>	Connection Diagram	<b>005102.01ME</b>

This is an uncontrolled document once printed or downloaded and is subject to change without notice. Date Created: 06/29/2018

035536

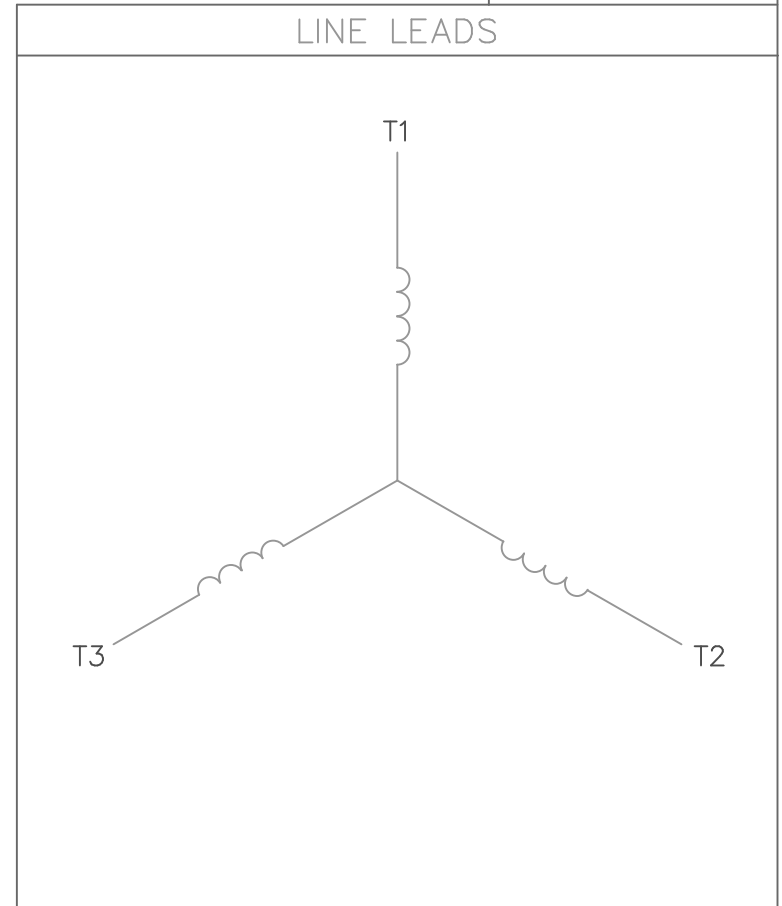
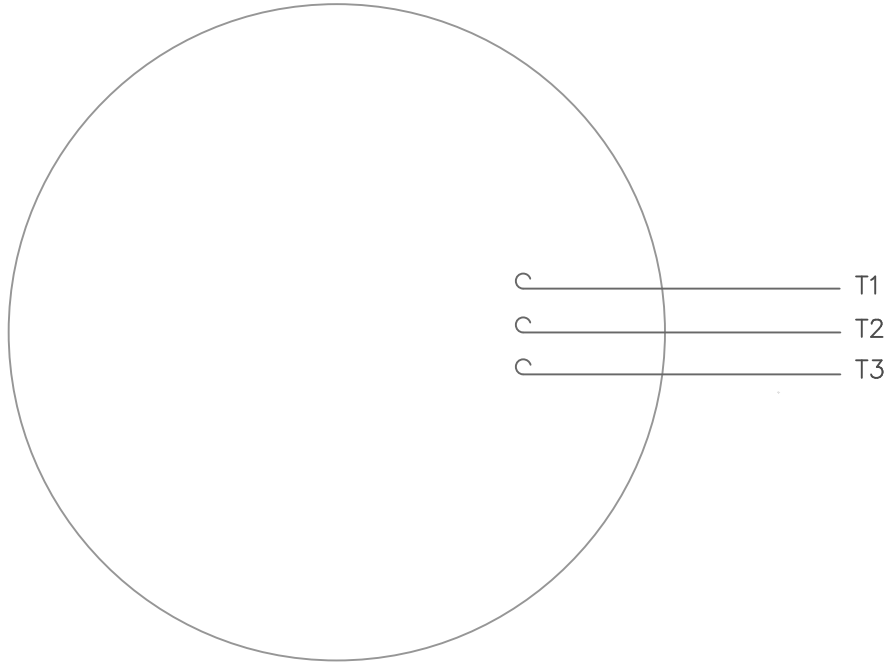


DASH NO.	"C"	"AD"
750	12.97	3.37
800	13.47	3.87
850	13.97	4.37
900	14.47	4.87
950	14.97	5.37
1000	15.47	5.87
1050	15.97	6.37
1100	16.47	6.87
1150	16.97	7.37

ORACLE REV 003

REVISION		BY & DATE	CHK	ANG	FINISH	MARATHON ELECTRIC		DRAWN W 07/02/07			
03	ADDED FLINGER	PVR 02/10/15	ST	.XX	±.03	TITLE OUTLINE - 180T FRAME TEFC - RIGID		SCALE 1=2			
02	WHEN REQD NOTE ADDED FOR 'XRI' DECAL	GR 02/07/13	AK	.XXX	±.005			REF			
01	UPDATED FRAME LENGTH TABLE	PVR 08/31/12	JD	.XXXX	±.0005	MAT'L		APPD VS 07/02/07			
NO.		REVISION	BY & DATE	CHK	ANG	±1/2'	FINISH	PREV			
THIS DRAWING IN DESIGN AND DETAIL IS OUR PROPERTY AND MUST NOT BE USED EXCEPT IN CONNECTION WITH OUR WORK. ALL RIGHTS OF DESIGN AND INVENTION ARE RESERVED. THIS IS AN ELECTRONICALLY GENERATED DOCUMENT - DO NOT SCALE THIS PRINT						RFP	CAD FILE	035536	SIZE B	DRAWING NO. 035536	REV. 03

VIEW FROM OUTSIDE OF MOTOR AT SWITCH END.



CONNECT LEADS AS FOLLOWS  
FOR FOUR CONDUCTOR CORD ( )

CORD	L1 (RED)	L2 (WHITE)	L3 (BLACK)	(GREEN)
MOTOR	T1	T2	T3	GROUND

				TOLERANCES UNLESS SPECIFIED				DRAWN RDW 5/1/02		
				DEC.	INCHES			CHK		
				.X	±.1			APPD		
				.XX	±.01			SCALE 1=1		
				.XXX	±.005			REF		
				.XXXX	±.0005	MAT'L. DECAL - 004169		FMF		
NO.	REVISION	BY & DATE	CHK	ANG	±1/2'	FINISH		PREV		
THIS DRAWING IN DESIGN AND DETAIL IS OUR PROPERTY AND MUST NOT BE USED EXCEPT IN CONNECTION WITH OUR WORK ALL RIGHTS OF DESIGN AND INVENTION ARE RESERVED THIS IS AN ELECTRONICALLY GENERATED DOCUMENT - DO NOT SCALE THIS PRINT				RFP	5/1/02	CAD FILE 00510201ME		SIZE	DRAWING NO.	REV.
				DIST				A	005102-01ME	



Data Sheet

Date: 29-06-2017  
 Customer: \_\_\_\_\_  
 Attention: \_\_\_\_\_  
 Submitted by: FAREEDA DUDEKULA



184TTFW16020

Submittal  
 Data @ 575 V

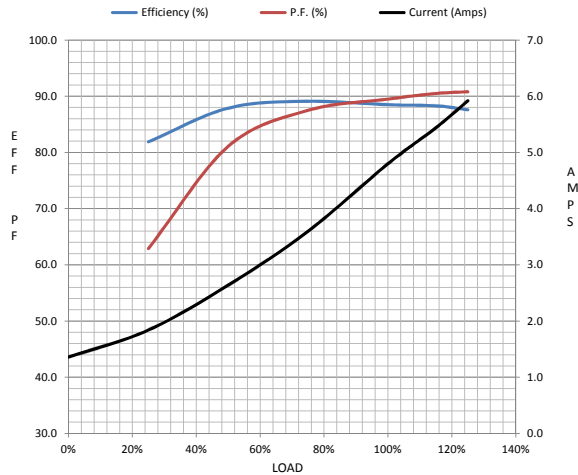
Motor Load Data

Load	0%	25%	50%	75%	100%	115%	125%	LR
Current (Amps)	1.36	1.84	2.64	3.6	4.8	5.4	5.9	36.8
Torque (ft-lb)	0.00	1.80	3.7	5.6	7.5	8.7	9.5	16.0
RPM	3600	3576	3551	3526	3495	3477	3463	0
Efficiency (%)		81.9	87.9	89.1	88.5	88.3	87.6	
P.F. (%)	12.5	62.9	81.1	87.5	89.5	90.5	90.8	45.5

Motor Speed Data

	LR	Pull-Up	BD	Rated	Idle
Speed (RPM)	0	170	2850	3495	3600
Current (Amps)	36.8	37.6	24.0	4.8	1.36
Torque (ft-lb)	16.0	15.5	26.0	7.5	0.00

Information Block				
HP	5.0			
Sync. RPM	3600			
Frame	180			
Enclosure	TEFC			
Construction	TFW			
Voltage	575 V			
Frequency	60 Hz			
Design	B			
LR Code letter	J			
Service Factor	1.15			
Temp Rise @ FL	55 ° C			
Duty	CONT			
Ambient	40 ° C			
Elevation	1,000 feet			
Rotor/Shaft wk <sup>2</sup>	0.30 Lb-Ft <sup>2</sup>			
Ref Wdg	T82103 R1			
Sound Pressure @ 1M	75 dBA			
VFD Rating	CONSTANT 10:1			
Outline Dwg	035536-950			
Conn. Diag	005102.01ME			
Additional Specifications:				
0				
365THFS8036				
EQUIV CKT (OHMS / PHASE)				
R1	R2	X1	X2	Xm
2.1740	1.7660	7.5170	2.8840	195.2500



Speed -Torque Curve

