

PRODUCT INFORMATION PACKET

marathon®
Motors

Model No: 080T11FH5509

Catalog No: R388

Globetrotter® IEC Aluminium Motor, 0.50 & 0.50 HP, 3 Ph, 60 & 50 Hz, 230/460 & 200/400 V,
1200 & 1000 RPM, 80 Frame, TEFC



Regal and Marathon are trademarks of Regal Rexnord Corporation or one of its affiliated companies.

©2023 Regal Rexnord Corporation, All Rights Reserved. MC017097E

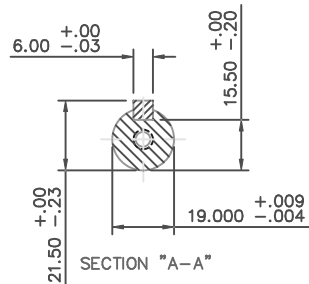
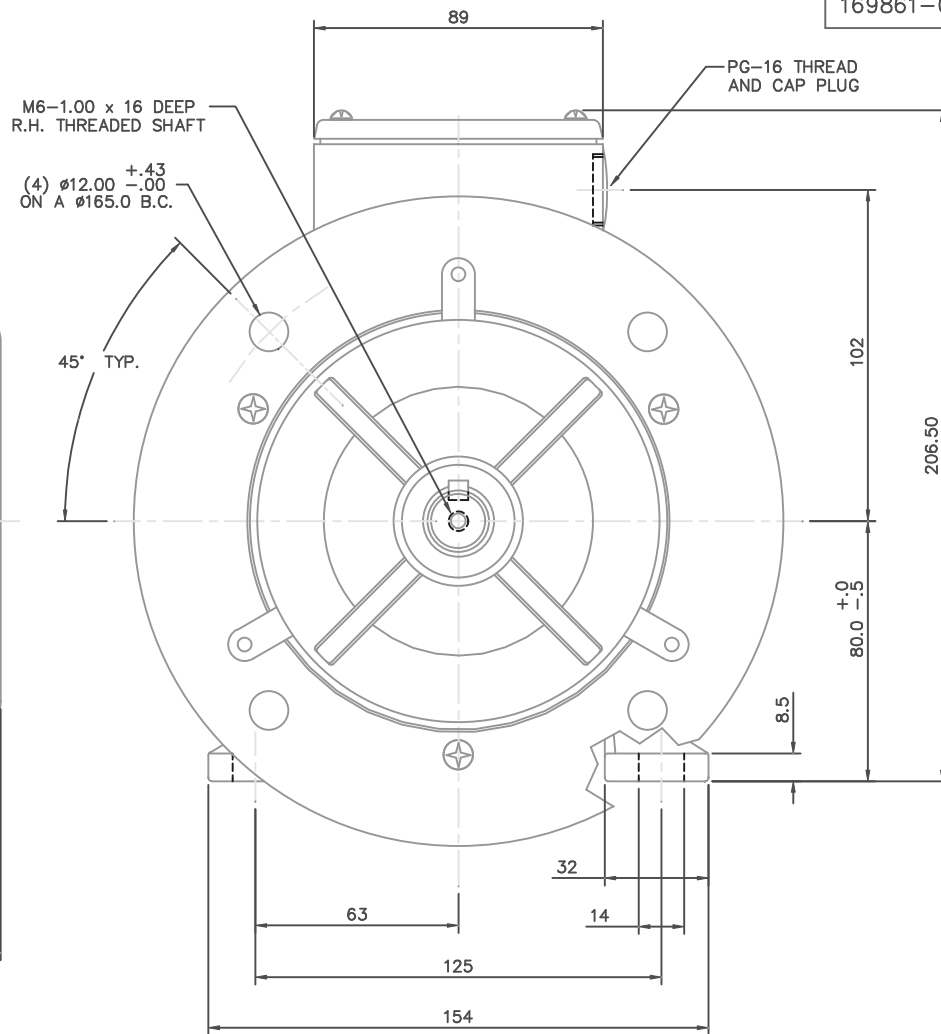
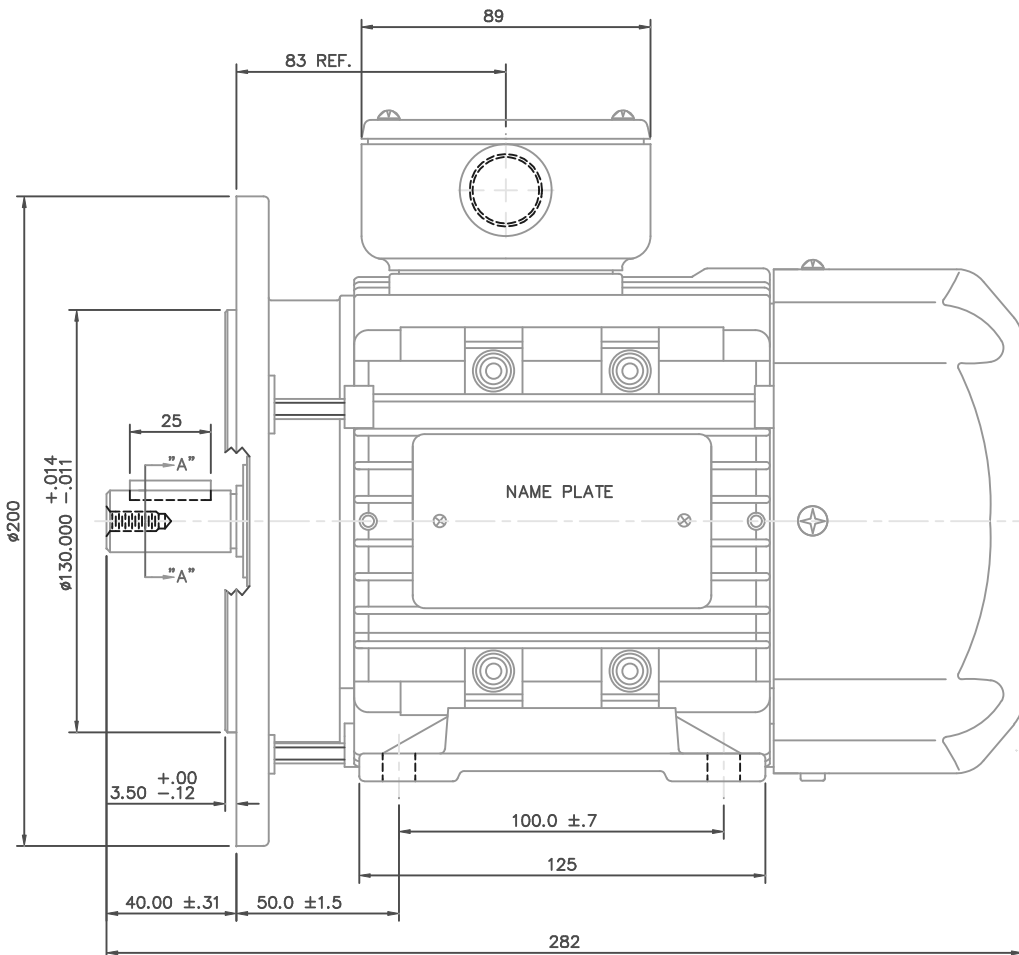
RegalRexnord

Nameplate Specifications

Phase	3	Output HP	0.50 & 0.50 Hp
Output KW	0.37 & 0.37 kW	Voltage	230/460 & 200/400 V
Speed	1130 & 915 rpm	Service Factor	1.15 & 1.15
Frame	80	Enclosure	Totally Enclosed Fan Cooled
Thermal Protection	No Protection	Efficiency	72 & 68 %
Ambient Temperature	40 °C	Frequency	60 & 50 Hz
Current	1.9/.95 & 2.14/1.07 A	Power Factor	68
Duty	Continuous	Insulation Class	F
Design Code	B	KVA Code	H
Drive End Bearing Size	6204	Opp Drive End Bearing Size	6204
UL	Recognized	CSA	Y
CE	Y	IP Code	55
Number of Speeds	1		

Technical Specifications

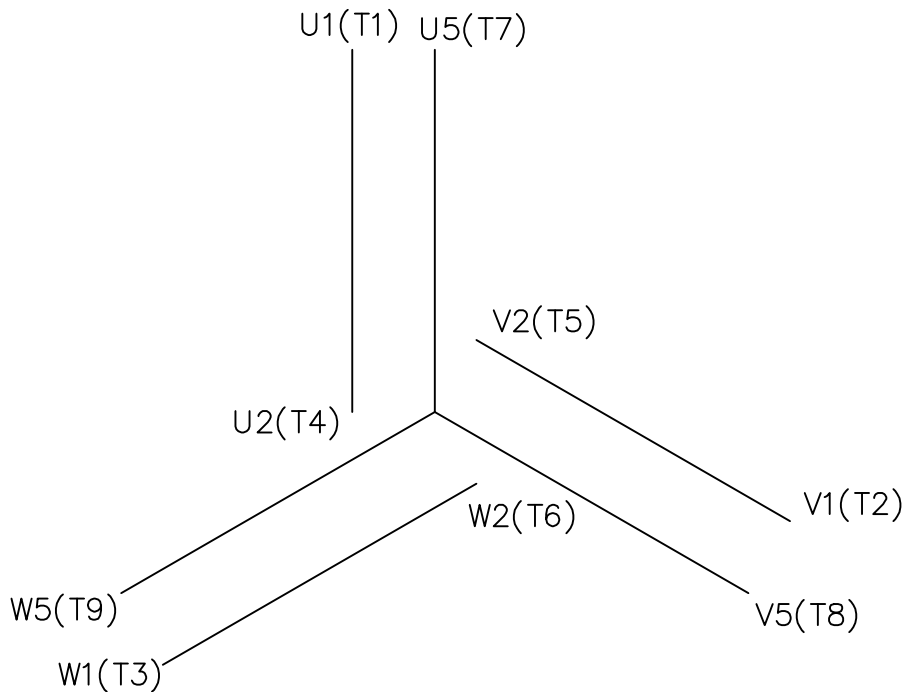
Electrical Type	Squirrel Cage Inverter Rated	Starting Method	Line Or Inverter
Poles	6	Rotation	Reversible
Resistance Main	12.3 Ohms	Mounting	Rigid Base
Motor Orientation	Horizontal	Drive End Bearing	Ball
Opp Drive End Bearing	Ball	Frame Material	Aluminum
Shaft Type	IEC	Overall Length	11.10 in
Frame Length	5.31 in	Shaft Diameter	0.750 in
Shaft Extension	1.57 in	Assembly/Box Mounting	F3
Inverter Load	CONSTANT 20:1		
Outline Drawing	16986900ME	Connection Drawing	00546501ME



NO.		REVISION	BY & DATE	CHK	ANG	±1/2"	FINISH	PREV			
THIS DRAWING IN DESIGN AND DETAIL IS OUR PROPERTY AND MUST NOT BE USED EXCEPT IN CONNECTION WITH OUR WORK. ALL RIGHTS OF DESIGN AND INVENTION ARE RESERVED. THIS IS AN ELECTRONICALLY GENERATED DOCUMENT - DO NOT SCALE THIS PRINT				RFP			CAD FILE	16986900me	SIZE	DRAWING NO.	REV.
				DIST					B	169861-00ME	

TOLERANCES UNLESS SPECIFIED		DRAWN CTO 07-07-2004	
DEC.	INCHES	CHK	APPD
.X	±.1		
.XX	±.03		
.XXX	±.005		
.XXXX	±.0005		

		TITLE METRIC OUTLINE, IMB35 IEC-80 FRAME TEFC RIGID W/B5 FLANGE		SCALE 1=1.5
		MAT'L ALUMINUM		REF OSVC-300-552



REF. DECAL (IEC) 080644
REF. DECAL (NEMA) 080446

IEC MARKINGS

LOW VOLTAGE			HIGH VOLTAGE			
LINE VOLTAGE	L1	L2	L3	JOIN		
TERMINAL	U1	V1	W1	W2	U2	V2
LOW	U1,U5	V1,V5	W1,W5	---	U2,V2,W2	---
HIGH	U1	V1	W1	U2,U5	V2,V5	W2,W5

NEMA MARKINGS

LOW VOLTAGE			HIGH VOLTAGE			
LINE VOLTAGE	L1	L2	L3	JOIN		
TERMINAL	U1	V1	W1	W2	U2	V2
LOW	T1, T7	T2, T8	T3, T9	---	T4,T5,T6	---
HIGH	T1	T2	T3	T4, T7	T5, T8	T6, T9

				TOLERANCES UNLESS SPECIFIED				DRAWN JGO 3/10/04		
				DEC.	INCHES			CHK SB 02-17-2010		
				.X	±.1			APPD MJS 02-17-2010		
				.XX	±.01			SCALE 1=1		
				.XXX	±.005			REF		
				.XXXX	±.0005	MAT'L. IEC/NEMA MARKINGS		FMF		
NO.	REVISION	BY & DATE	CHK	ANG	±1/2'	FINISH		PREV		
THIS DRAWING IN DESIGN AND DETAIL IS OUR PROPERTY AND MUST NOT BE USED EXCEPT IN CONNECTION WITH OUR WORK ALL RIGHTS OF DESIGN AND INVENTION ARE RESERVED THIS IS AN ELECTRONICALLY GENERATED DOCUMENT - DO NOT SCALE THIS PRINT				RFP	02-17-2010	CAD FILE 00546501ME		SIZE	DRAWING NO.	REV.
				DIST				A	005465ME-01	



MARATHON ELECTRIC CORPORATION
TYPICAL PERFORMANCE CURVE for AC MOTOR

Customer

Curve at

460 Volts
60 HZ
0.5 HP

HP 0.5&0.5

PHASE 3

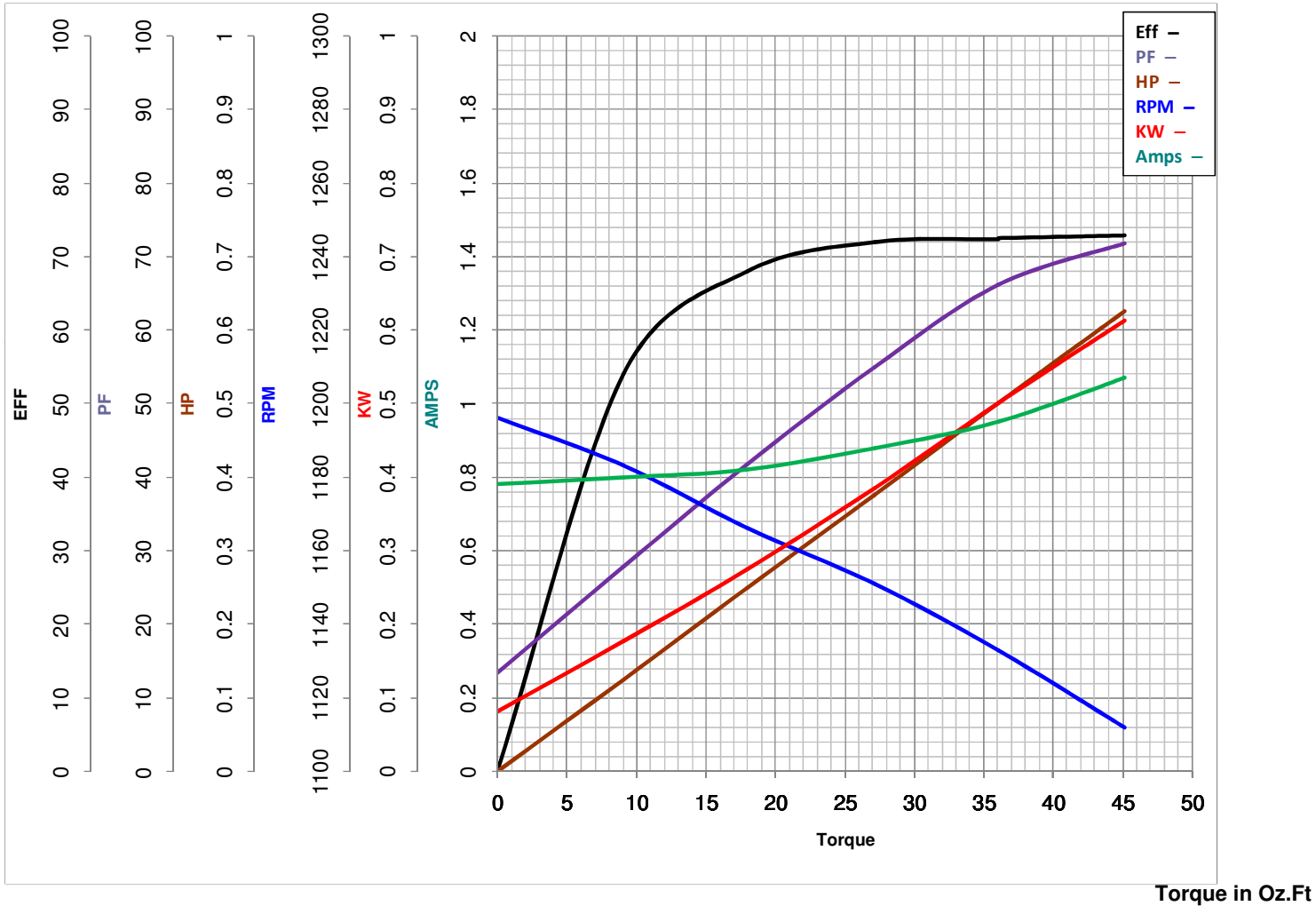
Model No 80T11FH5509

VOLTS 230/460&200/400

Catalog No R388

HZ 60&50

RPM 1130&915



FL TORQUE	<u>36</u>	Oz.Ft	FL AMPS	<u>1.9/95</u>	
BD TORQUE	<u>97.8</u>	Oz.Ft	PU TORQUE	<u>83.0</u>	Oz.Ft
LR TORQUE	<u>91.8</u>	Oz.Ft	LR AMPS	<u>4.1</u>	
WINDING	QT8062-		Date		

EC Declaration of Conformity

The undersigned representing
the manufacturer:

Regal Beloit America
100 East Randolph St.
Wausau, WI 54401

and the authorized representative
established within the Community:

Marathon Electric UK
6F Thistleton Road Ind. Estate
Market Overton
Oakham, Rutland LE15 7PP UK

are committed to providing customers with products that comply with applicable regulations and international protocols to which they are subject, including the requirements of the European Parliament Directive on the Harmonization of the laws relating to electrical equipment designed for use within certain voltage limits (2014/35/EU).

Regal Beloit America declares that the following product(s), to which this declaration relates, are in conformity with the relevant sections of the EC standards listed below.

This statement supersedes any statements previously issued pertaining to the product(s) listed below and is subject to change without notice.

Model No : 080T11FH5509

(Model No. may contain prefix and/or suffix characters)

Catalog No : R388

Rework No : N/A

Directives :

Low Voltage Directive 2014/35/EU

Harmonized Standards Used :

EN 60034-1: 2010 (IEC 60034-1: 2010)

EN 60034-5: 2001/A1:2007 (IEC 60034-5: 2000/A1:2006)

Authorized Representative:



Michael A. Logsdon
Vice President, Technology

Authorized Representative in the Community:



Julian Clark
Marketing Engineer

Created on 09/06/2022

CE 22