

PRODUCT INFORMATION PACKET

Model No: 215TTTL7050
Catalog No: C408
10,1800,TENV,215TC,3/60/208-230/460
Brake



Regal and Marathon are trademarks of Regal Beloit Corporation or one of its affiliated companies.
©2018 Regal Beloit Corporation, All Rights Reserved. MC017097E





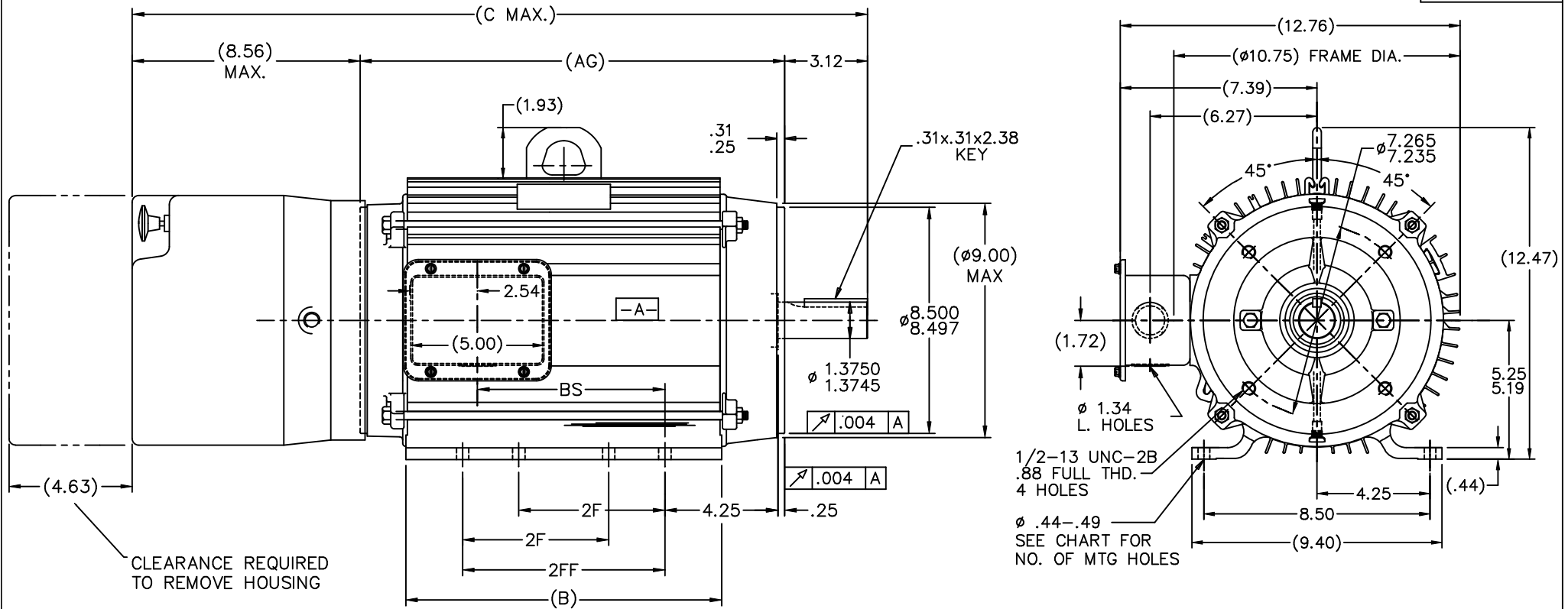
Nameplate Specifications

Output HP	10 Hp	Output KW	7.5 kW
Frequency	60 Hz	Voltage	230/460 V
Current	25.0/12.5 A	Speed	1755 rpm
Service Factor	1	Phase	3
Efficiency	91.7 %	Duty	Continuous
Insulation Class	F	Design Code	B
KVA Code	H	Frame	215TC
Enclosure	Totally Enclosed Non Ventilated	Overload Protector	No
Ambient Temperature	40 °C	Drive End Bearing Size	6309
Opp Drive End Bearing Size	6307	UL	Recognized
CSA	Y	CE	Y
IP Code	43		

Technical Specifications

Electrical Type	Squirrel Cage Induction Run	Starting Method	Across The Line
Poles	4	Rotation	Reversible
Mounting	Rigid base	Motor Orientation	Horizontal
Drive End Bearing	Ball	Opp Drive End Bearing	Ball
Frame Material	Aluminum	Shaft Type	T
Overall Length	28.64 in	Frame Length	12.75 in
Shaft Diameter	1.375 in	Shaft Extension	3.38 in
Assembly/Box Mounting	F1/F2 Capable		
Outline Drawing	B-SS330106-1275	Connection Diagram	A-EE7308

This is an uncontrolled document once printed or downloaded and is subject to change without notice. Date Created: 06/29/2018



- NOTES:
 1. BOX CAN BE ROTATED IN 180° STEPS.
 2. NAMEPLATE TO BE READ FROM CONDUIT BOX SIDE OF MOTOR.
 3. SEE CHART FOR F2 CAPABILITY. IF YES, BOX CAN BE MOUNTED ON OPPOSITE SIDE BY REMOVING BRACKETS AND TURNING FRAME 180°

DASH	FR.	B	C	2F	2FF	AG	BS	F2 CAPABLE	NO. OF MTG HOLES
875	213	8.87	24.64	5.50	—	12.96	4.05	YES	8
950	213	9.62	25.39	5.50	—	13.71	4.80	NO	4
1025	213	10.37	26.14	5.50	—	14.46	5.55	NO	4
1025	215	10.37	26.14	7.00	—	14.46	5.55	YES	8
1115	213/215	11.27	27.04	5.50	/7.00	15.36	6.45	YES	8
1175	213	11.87	27.64	5.50	—	15.96	7.05	YES	8
1175	215	11.87	27.64	7.00	—	15.96	7.05	NO	4
1275	213	12.87	28.64	5.50	—	16.96	8.05	YES	8
1275	215	12.87	28.64	7.00	—	16.96	8.05	YES	8

		TOLERANCES UNLESS SPECIFIED		REGAL-BELOIT CORPORATION		DRAWING/MLIST 03-02-05	
		DEC.	INCHES	REGAL-BELOIT CORPORATION		CHK	ML 10-11-05
		.X	±.1	TITLE OUTLINE		APPD	GK 10-11-05
		.XX	±.03	210 TC FR. - STEARNS 87,000 SERIES BRK		SCALE	9-32
		.XXX	±.005	MAT'L		REF	
1 ADDED "2FF" COLUMN CN40215		.XXXX	±.0005	FINISH		FMF	
NO. REVISION		CHK	ANG	CAD FILE ss330106		PREV	
BY & DATE		RFP	±1/2"	SIZE B		DRAWING NO.	PAGE 1 OF 1
THIS DRAWING IN DESIGN AND DETAIL IS OUR PROPERTY AND MUST NOT BE USED EXCEPT IN CONNECTION WITH OUR WORK ALL RIGHTS OF DESIGN AND INVENTION ARE RESERVED THIS IS AN ELECTRONICALLY GENERATED DOCUMENT - DO NOT SCALE THIS PRINT		DIST		SS330106		REV.	1

EE7308

THREE PHASE
DUAL VOLTAGE MOTOR



VIEW OF TERMINAL END

REF.
WINDING DIAGRAM

T8Y, T2Y, T2BL, T4BX, T2EC, T2G
T6BZ, T2B, T6BL, T4AV, T6B, T4B

OPTIONAL CORD
CONNECTION

L1 — WHITE
L2 — RED
L3 — BLACK

NO.	REVISION	BY & DATE	CHK	ANG	TOLERANCES UNLESS SPECIFIED		FINISH	DRAWN RM 11/20/1990				
					DEC.	INCHES						
5	CHG TO REGAL LOGO	SL 09/10/2015	AB					CHK ML 11/21/1990				
4	REVISED IEC NOTATIONS	MSG 11/15/2011	CMN	.X	±.1			APPD SAS 04/24/2003				
3	ADDED IEC NOTATIONS... (U1), (V1) ETC. MU95194	MSG 5/10/2010	MJS	.XX	±.02		TITLE CONNECTION DIAGRAM	SCALE 1=1				
2	ADDED THE OPTIONAL CORD CONNECTION MU46318	RDH 04/24/2003	DRS	.XXX	±.005		3Ø - DUAL VOLTAGE MOTOR	REF				
1	REDRAWN	RM 11/20/1990		.XXXX	±.0005		MAT'L.	FMF				
					±7'30"			PREV				
THIS DRAWING IN DESIGN AND DETAIL IS OUR PROPERTY AND MUST NOT BE USED EXCEPT IN CONNECTION WITH OUR WORK ALL RIGHTS OF DESIGN AND INVENTION ARE RESERVED THIS IS AN ELECTRONICALLY GENERATED DOCUMENT - DO NOT SCALE THIS PRINT							RFP	CAD FILE ee7308	SIZE A	DRAWING NO. EE7308	PAGE OF 5	REV. 5
							DIST WP					



Regal Beloit America, Inc.

3Ø - DUAL VOLTAGE MOTOR

MAT'L.

RFP

DIST WP

SIZE A

DRAWING NO. EE7308

PAGE OF 5

REV. 5