

# PRODUCT INFORMATION PACKET

Model No: 184TTDW16041  
Catalog No: U917  
5,1800,DP,184T,3/60/575  
Open Drip Proof (ODP)



Regal and Marathon are trademarks of Regal Beloit Corporation or one of its affiliated companies.  
©2018 Regal Beloit Corporation, All Rights Reserved. MC017097E



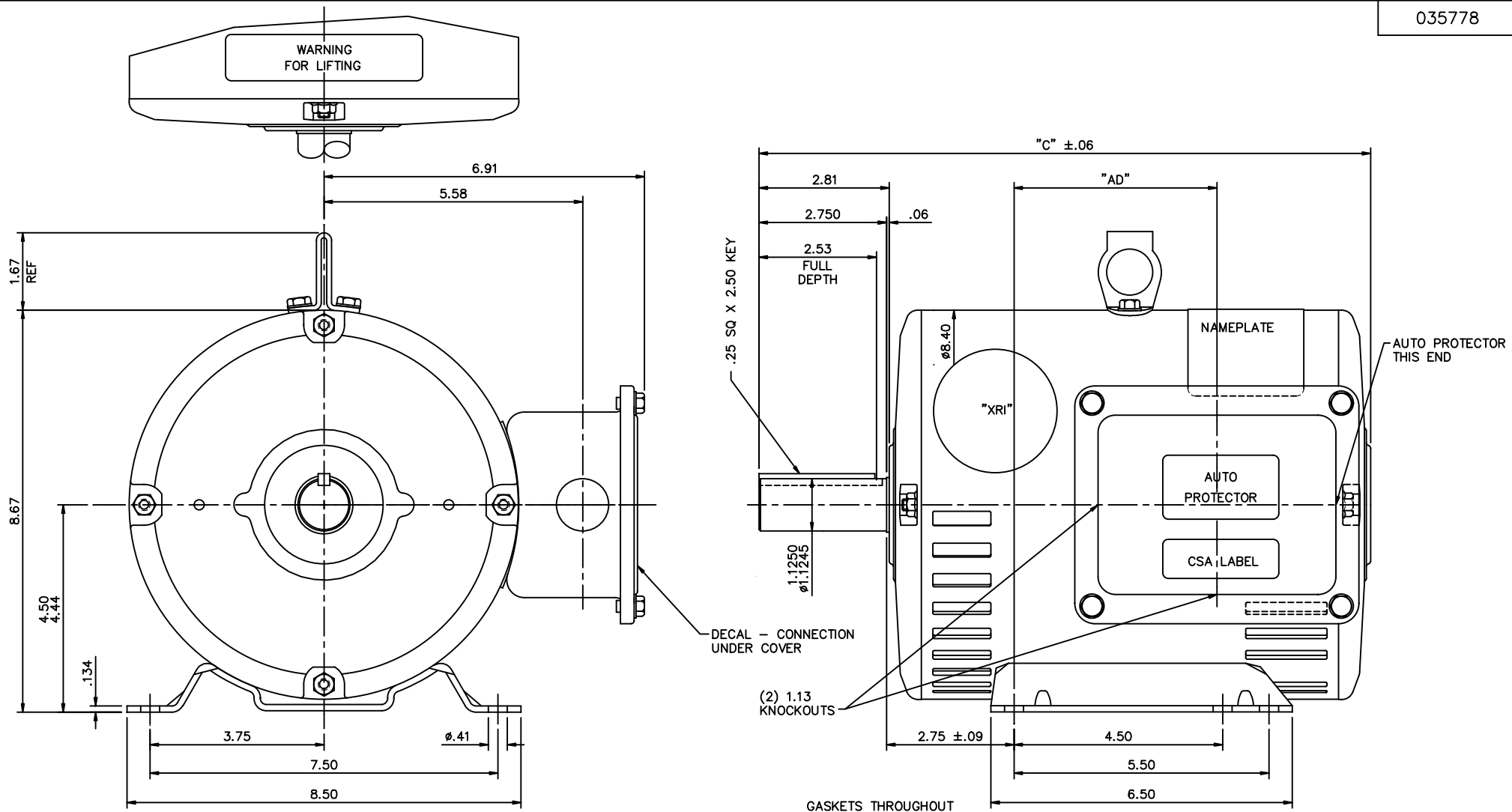
### Nameplate Specifications

Output HP	<b>5 Hp</b>	Output KW	<b>3.7 kW</b>
Frequency	<b>60 Hz</b>	Voltage	<b>575 V</b>
Current	<b>5.1 A</b>	Speed	<b>1755 rpm</b>
Service Factor	<b>1.15</b>	Phase	<b>3</b>
Efficiency	<b>89.5 %</b>	Duty	<b>Continuous</b>
Insulation Class	<b>F</b>	Design Code	<b>B</b>
KVA Code	<b>J</b>	Frame	<b>184T</b>
Enclosure	<b>Drip Proof</b>	Overload Protector	<b>Automatic</b>
Ambient Temperature	<b>40 °C</b>	Drive End Bearing Size	<b>6206</b>
Opp Drive End Bearing Size	<b>6205</b>	UL	<b>Recognized</b>
CSA	<b>Y</b>	CE	<b>Y</b>
IP Code	<b>22</b>		

### Technical Specifications

Electrical Type	<b>Squirrel Cage Induction Run</b>	Starting Method	<b>Across The Line</b>
Poles	<b>4</b>	Rotation	<b>Reversible</b>
Mounting	<b>Rigid base</b>	Motor Orientation	<b>Horizontal</b>
Drive End Bearing	<b>Ball</b>	Opp Drive End Bearing	<b>Ball</b>
Frame Material	<b>Rolled Steel</b>	Shaft Type	<b>T</b>
Overall Length	<b>14.19 in</b>	Frame Length	<b>10.00 in</b>
Shaft Diameter	<b>1.125 in</b>	Shaft Extension	<b>2.81 in</b>
Assembly/Box Mounting	<b>F1/F2 Capable</b>		
Outline Drawing	<b>035778-1000</b>	Connection Diagram	<b>005074.11ME</b>

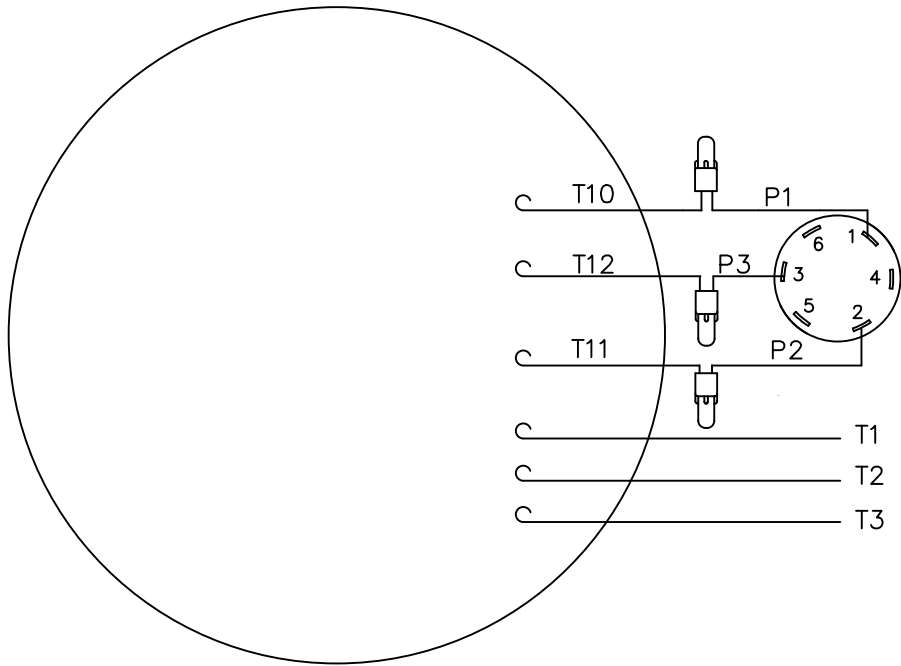
This is an uncontrolled document once printed or downloaded and is subject to change without notice. Date Created: 06/29/2018



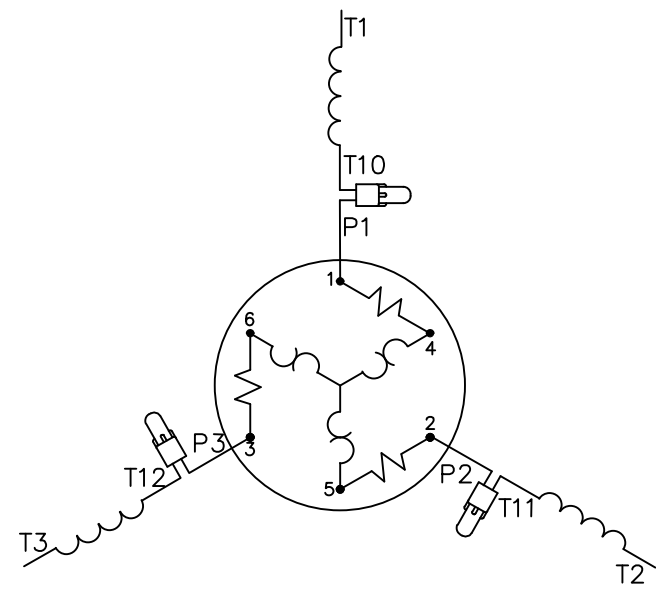
DASH NO.	"C"	"AD"
950	13.69	4.87
1000	14.19	5.37
1050	14.69	5.87
1100	15.19	6.37

NO.		REVISION	BY & DATE	CHK	ANG	±1/2"	FINISH	CAD FILE	035778	SIZE	DRAWING NO.	REV.	
<p>THIS DRAWING IN DESIGN AND DETAIL IS OUR PROPERTY AND MUST NOT BE USED EXCEPT IN CONNECTION WITH OUR WORK ALL RIGHTS OF DESIGN AND INVENTION ARE RESERVED THIS IS AN ELECTRONICALLY GENERATED DOCUMENT - DO NOT SCALE THIS PRINT</p>													
<p>TO TOLERANCES UNLESS SPECIFIED</p> <p>DEC. INCHES</p> <p>.X ±.1</p> <p>.XX ±.03</p> <p>.XXX ±.005</p> <p>.XXXX ±.0005</p>							<p><b>MARATHON ELECTRIC</b></p>		<p>TITLE</p> <p>OUTLINE - 180T FRAME</p> <p>DRIP PROOF - RIGID</p>			<p>SCALE 1=2</p> <p>REF 01ME101299</p>	
<p>NO.</p>							<p>FINISH</p>		<p>PREV</p>				
<p>DIST</p>							<p>RFP</p>		<p>B 035778</p>				

VIEW FROM OUTSIDE OF MOTOR AT SWITCH END.



LINE LEADS



L1	L2	L3
T1	T2	T3

		TOLERANCES UNLESS SPECIFIED			DRAWN PN 9/29/2010			
		DEC.	INCHES		CHK AK 9/29/2010			
		.X	±0		APPD			
		.XX	±0		SCALE			
		.XXX	±0		REF 005074-11			
		.XXXX	±0	MAT'L. DECAL - 004169	FMF			
NO.	REVISION	BY & DATE	CHK	ANG ±0	FINISH	PREV		
THIS DRAWING IN DESIGN AND DETAIL IS OUR PROPERTY AND MUST NOT BE USED EXCEPT IN CONNECTION WITH OUR WORK ALL RIGHTS OF DESIGN AND INVENTION ARE RESERVED THIS IS AN ELECTRONICALLY GENERATED DOCUMENT - DO NOT SCALE THIS PRINT			RFP	CAD FILE	00507411ME	SIZE	DRAWING NO.	REV.
			DIST			A	005074-11ME	

CERTIFICATION DATA SHEET

Model#: 184TTDW16041 AA WINDING#: T84169 DR 9
CONN. DIAGRAM: 005074.11ME ASSEMBLY: F1/F2 CAPABLE
OUTLINE: 035778-1000

TYPICAL MOTOR PERFORMANCE DATA

Table with 8 columns: HP, KW, SYNC. RPM, F.L. RPM, FRAME, ENCLOSURE, KVA CODE, DESIGN. Values: 5, 3.70, 1800, 1755, 184T, DP, J, B.

Table with 10 columns: PH, Hz, VOLTS, FL AMPS, START TYPE, DUTY, INSL, S.F, AMB°C, ELEVATION. Values: 3, 60, 575, 5.1, ACROSS THE LINE, CONTINUOUS, F4, 1.15, 40, 3300.

Table with 3 columns: FULL LOAD EFF, 3/4 LOAD EFF, 1/2 LOAD EFF, GTD. EFF, ELEC. TYPE, NO LOAD AMPS. Values: 89.5, 90.7, 90.3, 0, SQ CAGE IND RUN, 2.

Table with 5 columns: F.L. TORQUE, LOCKED ROTOR AMPS, L.R. TORQUE, B.D. TORQUE, F.L. RISE°C. Values: 14.95 LB-FT, 38, 30 LB-FT 201, 49.3 LB-FT 330, 50.

Table with 7 columns: SOUND PRESSURE @ 3 FT., SOUND POWER, ROTOR WK^2, MAX. WK^2, SAFE STALL TIME, STARTS /HOUR, APPROX. MOTOR WGT. Values: 0 dBA, 10 dBA, 0.434 LB-FT^2, 0 LB-FT^2, 0 SEC., 0, 0 LBS.

\*\*\* SUPPLEMENTAL INFORMATION \*\*\*

Table with 9 columns: DE BRACKET TYPE, ODE BRACKET TYPE, MOUNT TYPE, ORIENTATION, SEVERE DUTY, HAZARDOUS LOCATION, DRIP COVER, SCREENS, PAINT. Values: STANDARD, STANDARD, RIGID, HORIZONTAL, FALSE, NONE, FALSE, NONE, BLUE (ENAMEL).

Table with 8 columns: BEARINGS (DE, OPE), GREASE, SHAFT TYPE, SPECIAL DE, SPECIAL ODE, SHAFT MATERIAL, FRAME MATERIAL. Values: BALL, BALL, POLYREX EM, T, NONE, NONE, AISI 1045 (C-240), ROLLED STEEL.

Table with 7 columns: THERMO-PROTECTORS (THERMOSTATS, PROTECTORS, WDG RTDs, BRG RTDs), THERMISTORS, CONTROL, SPACE /n HEATERS. Values: NONE, AUTOMATIC, NONE, NONE, NONE, FALSE, NONE VOLTS.

If Inverter equals NONE, contact factory for further information

\* N O T E S \*

Table with 3 rows: INVERTER TORQUE: NONE, INV. HP SPEED RANGE: NONE; ENCODER: NONE, NONE NONE, NONE NONE PPR; BRAKE: NONE NONE, NONE P/N NONE, NONE NONE, NONE FT-LB, NONE V, NONE Hz.

DATE: 06/28/2017 06:37:20 AM
FORM 3531 REV.3 02/07/99
\*\* Subject to change without notice.