

PRODUCT INFORMATION PACKET

Model No: 182TTDW16029
Catalog No: E915B
3,1800,DP,182T,3/60/575
Open Drip Proof (ODP)



Regal and Marathon are trademarks of Regal Beloit Corporation or one of its affiliated companies.
©2018 Regal Beloit Corporation, All Rights Reserved. MC017097E

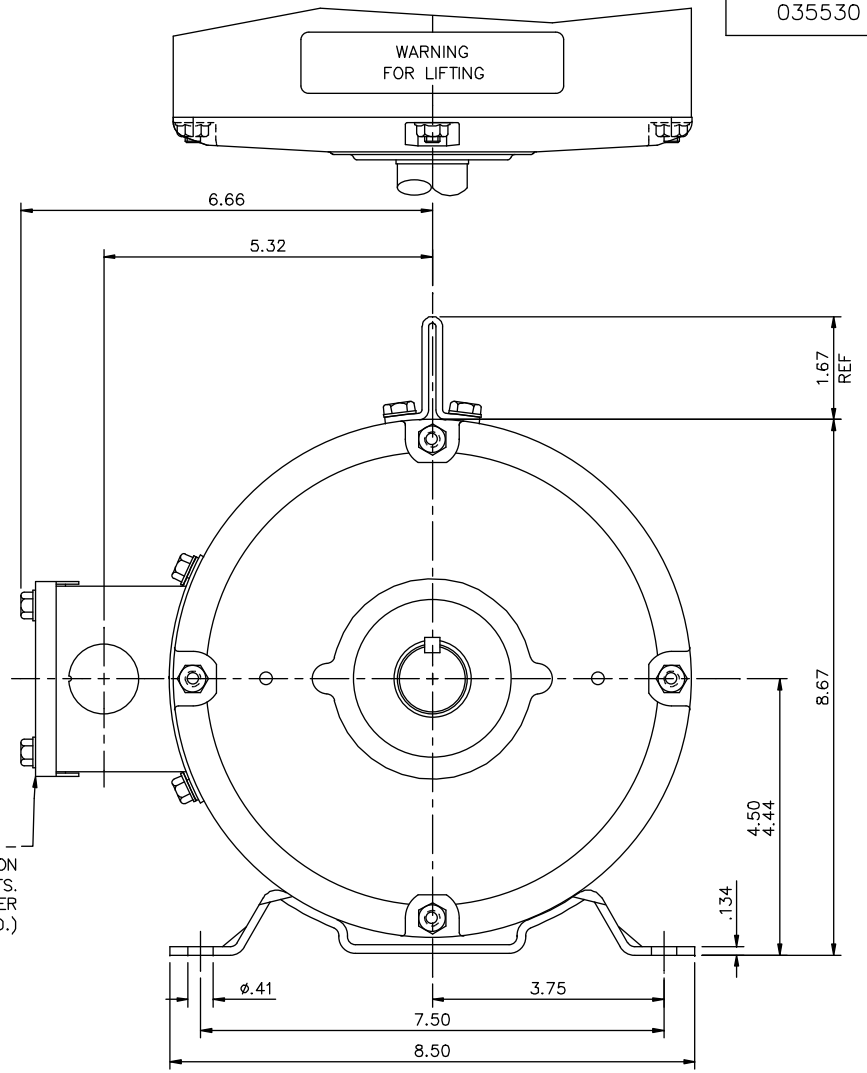
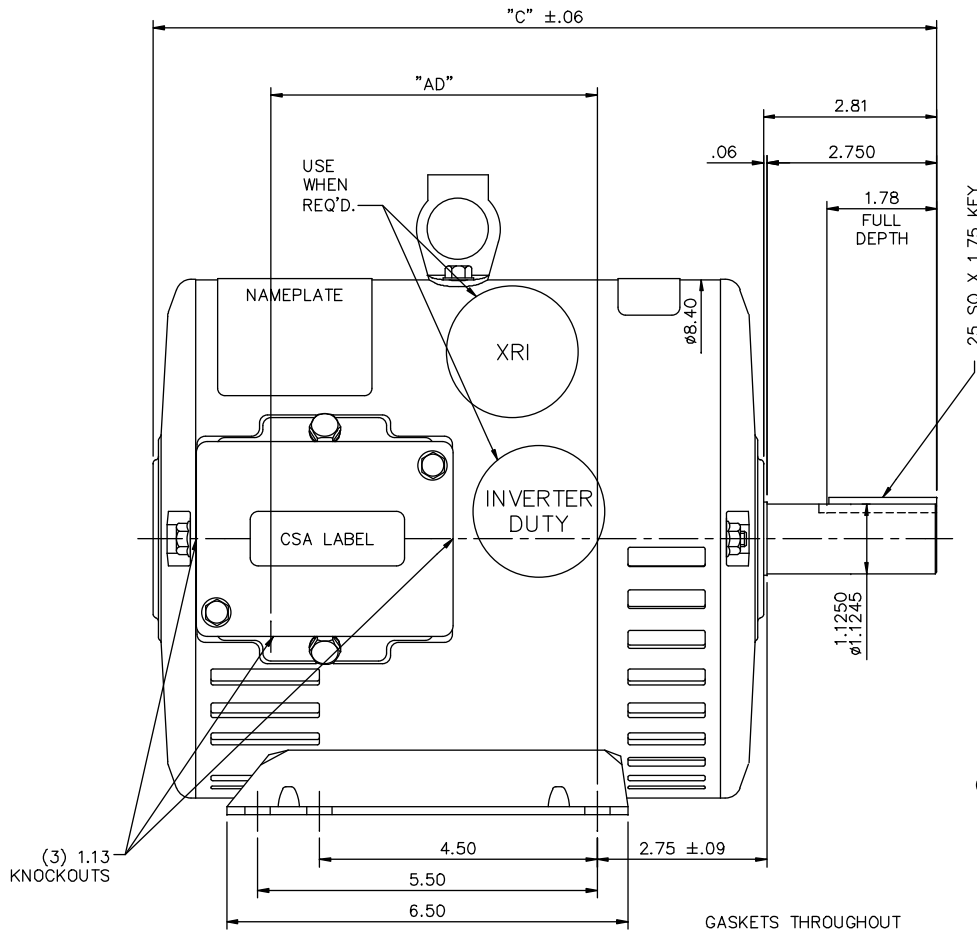


Nameplate Specifications

Output HP	3 Hp	Output KW	2.2 kW
Frequency	60 Hz	Voltage	575 V
Current	3.2 A	Speed	1760 rpm
Service Factor	1.15	Phase	3
Efficiency	89.5 %	Duty	Continuous
Insulation Class	B	Design Code	B
KVA Code	K	Frame	182T
Enclosure	Drip Proof	Overload Protector	No
Ambient Temperature	40 °C	Drive End Bearing Size	6206
Opp Drive End Bearing Size	6205	UL	Recognized
CSA	Y	CE	Y
IP Code	22		

Technical Specifications

Electrical Type	Squirrel Cage Inverter Rated	Starting Method	Line Or Inverter
Poles	4	Rotation	Reversible
Mounting	Rigid base	Motor Orientation	Horizontal
Drive End Bearing	Ball	Opp Drive End Bearing	Ball
Frame Material	Rolled Steel	Shaft Type	T
Overall Length	13.19 in	Frame Length	9.00 in
Shaft Diameter	1.125 in	Shaft Extension	2.81 in
Assembly/Box Mounting	F1 Only		
Outline Drawing	035530-900	Connection Diagram	005102.01ME

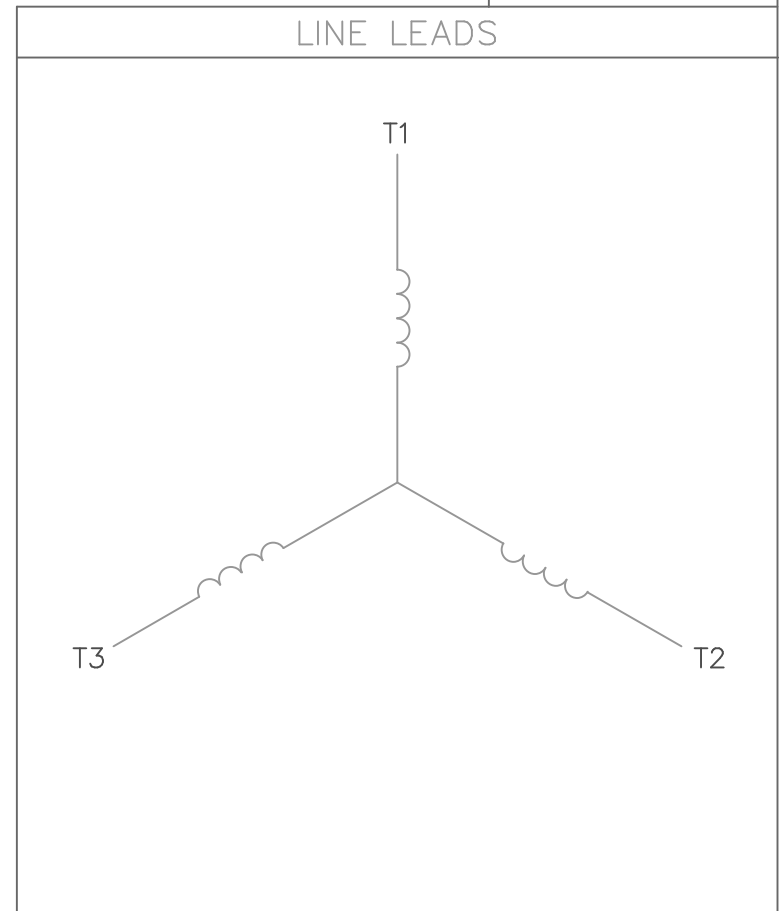
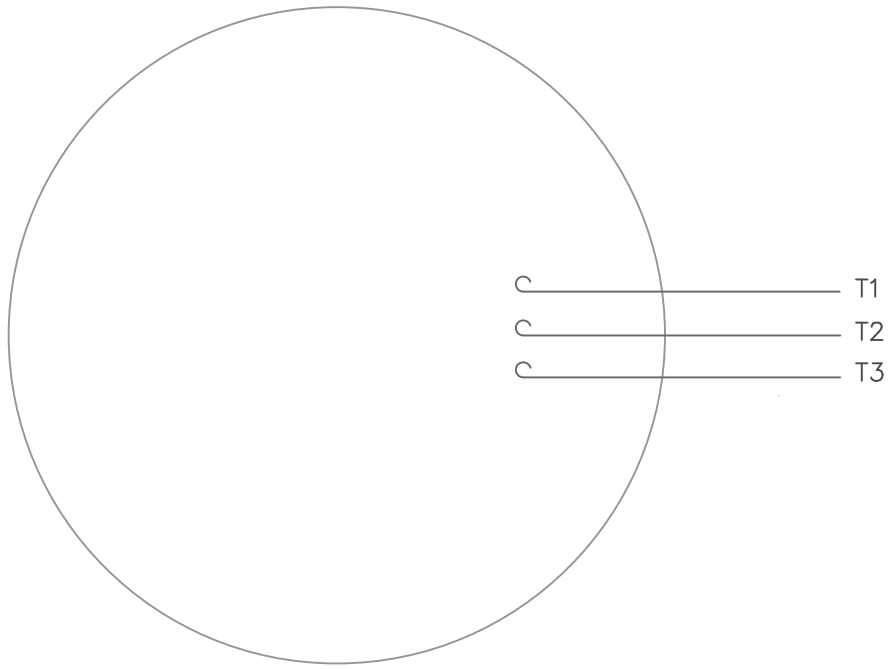


GASKETS THROUGHOUT

DASH NO.	"C"	"AD"
850	12.69	5.25
900	13.19	5.75
950	13.69	6.25
1000	14.19	6.75
1050	14.69	7.25
1100	15.19	7.75
1150	15.69	8.25

				TOLERANCES UNLESS SPECIFIED		MARATHON ELECTRIC		DRAWN YS 06/21/07		
				DEC.	INCHES			CHK		
				.X	±.1			APPD		
03	REMOVED INV & XRI DECALS AS PER ISSAC 12-5294	GR	10/30/12	SR	.XX	±.03	TITLE	SCALE	1=2	
02	ADDED STICKER LOCATIONS PER ECR 91487	JWM	12/04/07		.XXX	±.005	OUTLINE - 180T FRAME	REF	035464	
01	TITLE BLOCK WAS LEESON	YS	7/16/2007		.XXXX	±.0005	DRIP PROOF - RIGID	FMF		
NO.	REVISION	BY & DATE	CHK	ANG	±1/2'	FINISH	PREV			
THIS DRAWING IN DESIGN AND DETAIL IS OUR PROPERTY AND MUST NOT BE USED EXCEPT IN CONNECTION WITH OUR WORK ALL RIGHTS OF DESIGN AND INVENTION ARE RESERVED THIS IS AN ELECTRONICALLY GENERATED DOCUMENT - DO NOT SCALE THIS PRINT						RFP	CAD FILE	035530	SIZE	DRAWING NO.
						DIST	NLV	B	035530	REV.
										03

VIEW FROM OUTSIDE OF MOTOR AT SWITCH END.



CONNECT LEADS AS FOLLOWS
FOR FOUR CONDUCTOR CORD ()

CORD	L1 (RED)	L2 (WHITE)	L3 (BLACK)	(GREEN)
MOTOR	T1	T2	T3	GROUND

				TOLERANCES UNLESS SPECIFIED			DRAWN RDW 5/1/02		
				DEC.	INCHES		CHK		
				.X	±.1		APPD		
				.XX	±.01		SCALE 1=1		
				.XXX	±.005		REF		
				.XXXX	±.0005	MAT'L. DECAL - 004169	FMF		
NO.	REVISION	BY & DATE	CHK	ANG	±1/2'	FINISH	PREV		
THIS DRAWING IN DESIGN AND DETAIL IS OUR PROPERTY AND MUST NOT BE USED EXCEPT IN CONNECTION WITH OUR WORK ALL RIGHTS OF DESIGN AND INVENTION ARE RESERVED THIS IS AN ELECTRONICALLY GENERATED DOCUMENT - DO NOT SCALE THIS PRINT				RFP	5/1/02	CAD FILE 00510201ME	SIZE A	DRAWING NO. 005102-01ME	REV.
				DIST					

Data Sheet

Date: 6/20/2017

182TTDW16029

Customer:
Attention:



Submital
Data @ 575 V

Submitted by: FAREEDA DUDEKULA

Motor Load Data

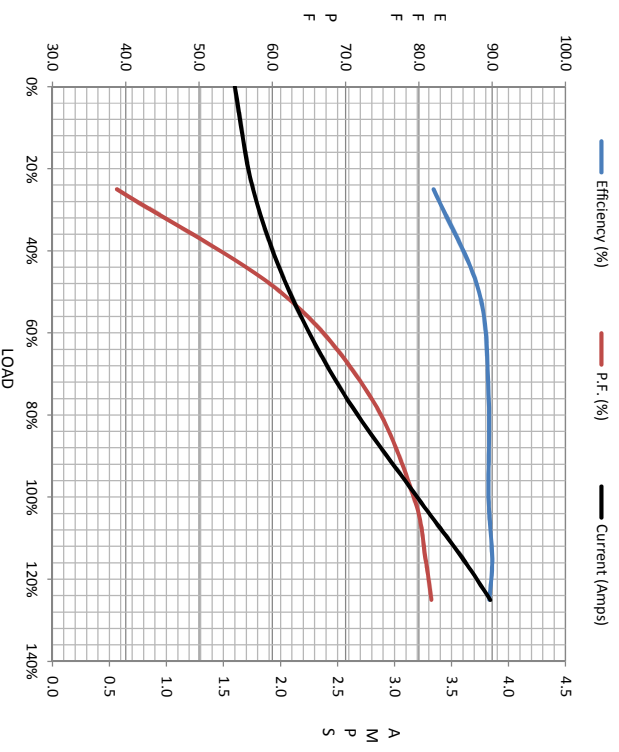
Load	0%	25%	50%	75%	100%	115%	125%	LR
Current (Amps)	1.60	1.76	2.08	2.56	3.2	3.6	3.8	27.4
Torque (ft-lb)	0.00	2.19	4.4	6.6	8.9	10.3	11.2	22.0
RPM	1800	1790	1779	1767	1760	1752	1745	0
Efficiency (%)		82.0	88.2	89.5	89.5	90.0	89.6	
P.F. (%)	6.9	38.8	61.1	73.2	79.3	80.9	81.7	50.5

Motor Speed Data

	LR	Pull-Up	BD	Rated	Idle
Speed (rpm)	0	330	1500	1760	1800
Current (Amps)	27.4	26.8	17.6	3.2	1.60
Torque (ft-lb)	22.0	14.8	35.8	8.9	0.00

Information Block

HP	3.0
Sync. RPM	1800
Frame	182
Enclosure	DP
Construction	TDW
Voltage	575 V
Frequency	60 HZ
Design	B
LR Code letter	K
Service Factor	1.15
Temp Rise @ FL	31 °C
Duty	CONT
Ambient	40 °C
Elevation	1,000 feet
Rotor/Shaft wkt	0.36 Lb-Fe
Rel Wdg	T94173 DR
Sound Pressure @ 1M	51 dBA
VFD Rating	CONSTANT 4:1
Outline Dwg	035530-900
Conn. Diag	005102.01ME
Additional Specifications:	
0	
EQUIV CKT (OHMS / PHASE)	
R1	R2
X1	X2
Xm	Xm
0.00000	0.00000
0.00000	0.00000



Speed - Torque Curve

