

PRODUCT INFORMATION PACKET

Model No: 145THTR5329
Catalog No: Y366
1 1/2,1800,TENV,145TC,3/60/230/460
1000:1 Speed Ratio



Regal and Marathon are trademarks of Regal Beloit Corporation or one of its affiliated companies.

©2018 Regal Beloit Corporation, All Rights Reserved. MC017097E



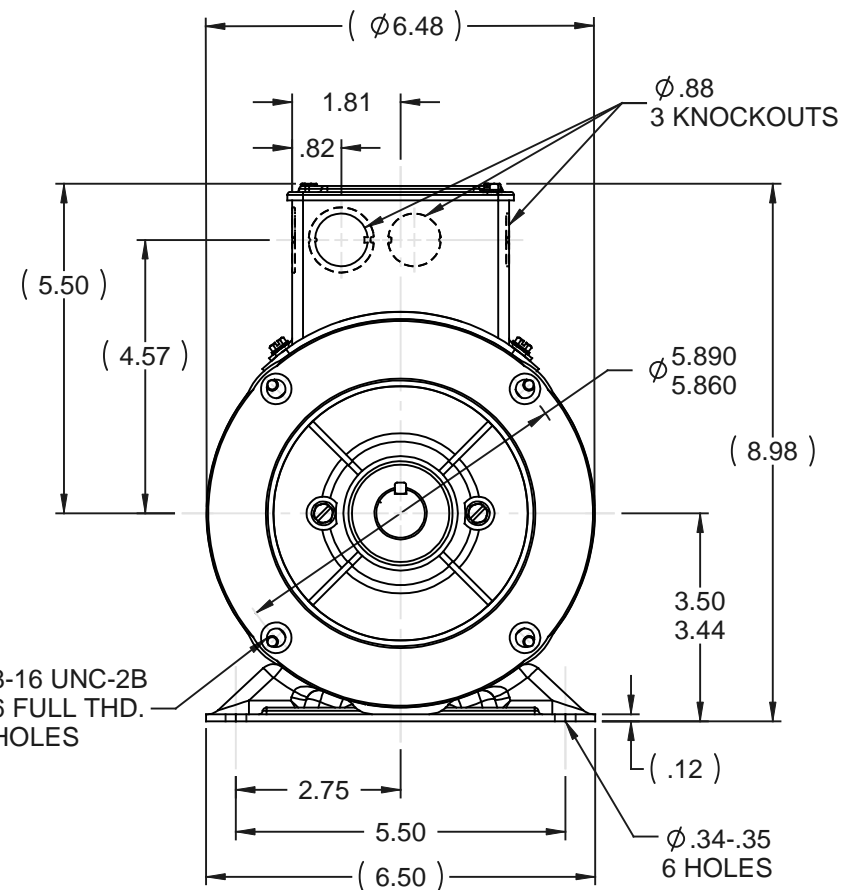
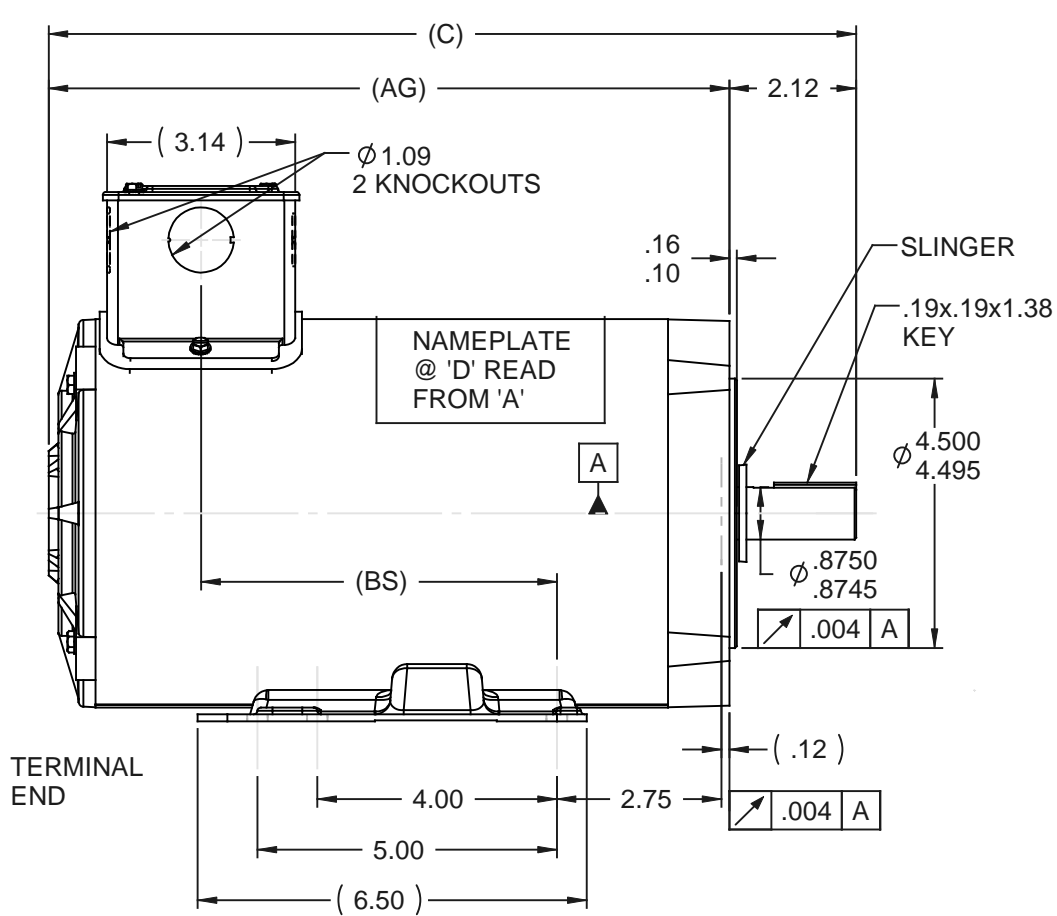


Nameplate Specifications

Output HP	1.50 Hp	Output KW	1.1 kW
Frequency	60 Hz	Voltage	230/460 V
Current	4.8/2.4 A	Speed	1755 rpm
Service Factor	1	Phase	3
Efficiency	85.5 %	Duty	Continuous
Insulation Class	H	Design Code	INV
KVA Code	R	Frame	145TC
Enclosure	Totally Enclosed Non Ventilated	Overload Protector	No
Ambient Temperature	40 °C	Drive End Bearing Size	6205
Opp Drive End Bearing Size	6203	UL	Recognized
CSA	Y	CE	Y
IP Code	43		

Technical Specifications

Electrical Type	Squirrel Cage Inverter Duty	Starting Method	Inverter Only
Poles	4	Rotation	Reversible
Mounting	Bolt-on Base	Motor Orientation	Horizontal
Drive End Bearing	Ball	Opp Drive End Bearing	Ball
Frame Material	Rolled Steel	Shaft Type	T
Overall Length	13.48 in	Frame Length	9.56 in
Shaft Diameter	0.875 in	Shaft Extension	2.12 in
Assembly/Box Mounting	F3		
Outline Drawing	A-104963-956	Connection Diagram	A-EE7308



NOTE:
CONDUIT BOX CAN BE ROTATED IN 180° STEPS

DASH	FRAME	C	AG	BS	DASH	FRAME	C	AG	BS
706	140T	10.98	8.86	3.44	856	140T	12.48	10.36	4.94
756	140T	11.48	9.36	3.94	906	140T	12.98	10.86	5.44
806	140T	11.98	9.86	4.44	956	140T	13.48	11.36	5.94

				TOLERANCES UNLESS SPECIFIED				DRAWN TJB 05-17-2001		
				DEC	INCHES			CHK DRS 06-22-2001		
4	REDRAWN ON SOLIDWORKS	DRS	.X	±.1	TITLE OUTLINE		APPR SAS 06-22-2001	SCALE 5:16		
3	REDRAWN ON AUTOCAD	TAT 07-06-2004	ML	.XX	±.03	140T FR. - TENV - C'FACE		REF A-100106		
2	TENV WAS TEFC IN TITLE BLOCK MU39147	DRS 10-24-2001		.XXX	±.005	MAT'L		FMF		
1	NEW DRAWING MU37406	TJB 06-22-2001		.XXXX	±.0005	FINISH		PREV		
NO	REVISION	BY & DATE	CHK	ANG	±7'30"	CAD FILE 104963		SIZE A	DRAWING NO 104963	REV 4
THIS DRAWING IN DESIGN AND DETAIL IS OUR PROPERTY AND MUST NOT BE USED EXCEPT IN CONNECTION WITH OUR WORK. ALL RIGHTS OF DESIGN AND INVENTION ARE RESERVED. THIS IS AN ELECTRONICALLY GENERATED DOCUMENT - DO NOT SCALE THIS PRINT						RFP				
						DIST	WP			

EE7308

THREE PHASE
DUAL VOLTAGE MOTOR



VIEW OF TERMINAL END

REF.
WINDING DIAGRAM

T8Y, T2Y, T2BL, T4BX, T2EC, T2G
T6BZ, T2B, T6BL, T4AV, T6B, T4B

OPTIONAL CORD
CONNECTION

L1 — WHITE
L2 — RED
L3 — BLACK

NO.	REVISION	BY & DATE	CHK	ANG	TOLERANCES UNLESS SPECIFIED		FINISH	DRAWN RM 11/20/1990				
					DEC.	INCHES						
5	CHG TO REGAL LOGO	SL 09/10/2015	AB					CHK ML 11/21/1990				
4	REVISED IEC NOTATIONS	MSG 11/15/2011	CMN	.X	±.1			APPD SAS 04/24/2003				
3	ADDED IEC NOTATIONS... (U1), (V1) ETC. MU95194	MSG 5/10/2010	MJS	.XX	±.02			SCALE 1=1				
2	ADDED THE OPTIONAL CORD CONNECTION MU46318	RDH 04/24/2003	DRS	.XXX	±.005		TITLE CONNECTION DIAGRAM 3Ø - DUAL VOLTAGE MOTOR	REF				
1	REDRAWN	RM 11/20/1990		.XXXX	±.0005		MAT'L.	FMF				
					±7'30"			PREV				
THIS DRAWING IN DESIGN AND DETAIL IS OUR PROPERTY AND MUST NOT BE USED EXCEPT IN CONNECTION WITH OUR WORK ALL RIGHTS OF DESIGN AND INVENTION ARE RESERVED THIS IS AN ELECTRONICALLY GENERATED DOCUMENT - DO NOT SCALE THIS PRINT							RFP	CAD FILE ee7308	SIZE A	DRAWING NO. EE7308	PAGE OF 5	REV. 5
							DIST WP					



CERTIFICATION DATA SHEET

Model#: 145THTR5329 AA WINDING#: ZT4118 NONE 1
 CONN. DIAGRAM: A-EE7308 ASSEMBLY: F3
 OUTLINE: A-104963-956

TYPICAL MOTOR PERFORMANCE DATA

HP	KW	SYNC. RPM	F.L. RPM	FRAME	ENCLOSURE	KVA CODE	DESIGN		
1 1/2	1.12	1800	1755	145TC	TENV	R	INV		
PH	Hz	VOLTS	FL AMPS	START TYPE	DUTY	INSL	S.F	AMB°C	ELEVATION
3	60	230/460	4.8/2.4	INVERTER ONLY	CONTINUOUS	H1	1.0	40	3300
FULL LOAD EFF: 85.5	3/4 LOAD EFF: 82.5	1/2 LOAD EFF: 78.5	GTD. EFF		ELEC. TYPE	NO LOAD AMPS			
FULL LOAD PF: 69	3/4 LOAD PF: 59	1/2 LOAD PF: 46	82.5		SQ CAGE INV DUTY	3.2 / 1.6			
F.L. TORQUE	LOCKED ROTOR AMPS	L.R. TORQUE	B.D. TORQUE	F.L. RISE°C					
4.5 LB-FT	56 / 28	23 LB-FT 511	29 LB-FT 644	80					
SOUND PRESSURE @ 3 FT.	SOUND POWER	ROTOR WK^2	MAX. WK^2	SAFE STALL TIME	STARTS /HOUR	APPROX. MOTOR WGT			
62 dBA	72 dBA	0.14 LB-FT^2	0 LB-FT^2	0 SEC.	0	45 LBS.			

EQUIVALENT WYE CKT.PARAMETERS (OHMS PER PHASE)

R1	R2	X1	X2	XM
4.257	3.53804	5.99764	5.88412	161.0092
RM	ZREF	XR	TD	TD0
6659.84	189.2	1.6	0.0515	0.125

*** SUPPLEMENTAL INFORMATION ***

DE BRACKET TYPE	ODE BRACKET TYPE	MOUNT TYPE	ORIENTATION	SEVERE DUTY	HAZARDOUS LOCATION	DRIP COVER	SCREENS	PAINT
C-FACE	STANDARD	BOLT-ON	HORIZONTAL	FALSE	NONE	FALSE	NONE	BLACK (POWDER)
BEARINGS		GREASE	SHAFT TYPE	SPECIAL DE	SPECIAL ODE	SHAFT MATERIAL	FRAME MATERIAL	
DE	OPE	POLYREX EM	T	NONE	NONE	1144 STRESSPROOF (C-223)	ROLLED STEEL	
BALL	BALL							
6205	6203							
THERMO-PROTECTORS				THERMISTORS	CONTROL	SPACE /n HEATERS		
THERMOSTATS	PROTECTORS	WDG RTDs	BRG RTDs	NONE	FALSE	NONE VOLTS		
NONE	NOT	NONE	NONE					

If Inverter equals NONE, contact factory for further information

*
N
O
T
E
S
*

INVERTER TORQUE: CONSTANT 1000:1
INV. HP SPEED RANGE: 2.0 X BASE SPEED
ENCODER: NONE
NONE NONE
NONE NONE PPR
BRAKE: NONE NONE

NONE	P/N	NONE
NONE	NONE	
- FT-LB	NONE V	NONE Hz

DATE: 06/23/2017 02:06:20 AM
FORM 3531 REV.3 02/07/99
** Subject to change without notice.

Data Sheet

1451HTR5329



Submittal
Data @ 460 V

Date: 6/19/2017

Customer:
Attention:
Submitted by: FAREEDA DUDEKULA

Motor Load Data

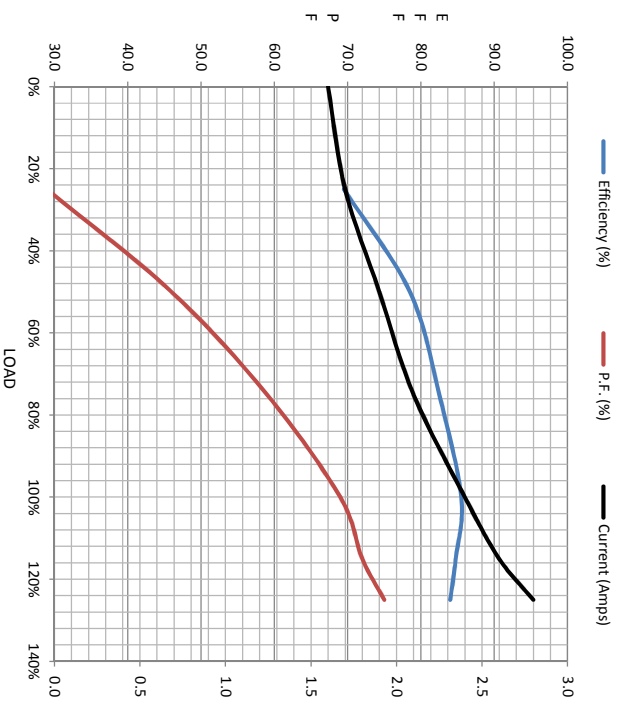
Load	0%	25%	50%	75%	100%	115%	125%	LR
Current (Amps)	1.60	1.70	1.90	2.10	2.40	2.60	2.80	28.0
Torque (ft-lb)	0.00	1.10	2.20	3.4	4.5	5.1	5.6	23.0
RPM	1800	1788	1778	1768	1755	1,751	1745	0
Efficiency (%)		69.5	78.5	82.5	85.5	84.8	84.0	
P.F. (%)	9.0	29.0	46.0	59.0	69.0	72.0	75.0	68.0

Motor Speed Data

	LR	Pull-Up	BD	Rated	Idle
Speed (rpm)	0	500	1180	1755	1800
Current (Amps)	28.0	24.0	17.0	2.40	1.60
Torque (ft-lb)	23.0	19.0	29.0	4.5	0.00

Information Block

HP	1.5			
Sync. RPM	1800			
Frame	145			
Enclosure	TENV			
Construction	TTR			
Voltage	230/460 V			
Frequency	60 HZ			
Design	A			
LR Code letter	R			
Service Factor	1.15			
Temp Rise @ FL	80 °C			
Duty	CONT			
Ambient	40 °C			
Elevation	1,000 feet			
Rotor/Shaft wkt	0.14 Lb-Fe			
Rel Wdg	Z14118 NONE			
Sound Pressure @ 1M	62 dBA			
VFD Rating	CONSTANT 1000:1			
Outline Dwg	A-104963-956			
Conn. Diag	A-EE7308			
Additional Specifications:				
0				
EQUIV CKT (OHMS/ PHASE)				
R1	R2	X1	X2	Xm
4.2570	3.5380	5.9980	5.8840	161.0090



Speed -Torque Curve

